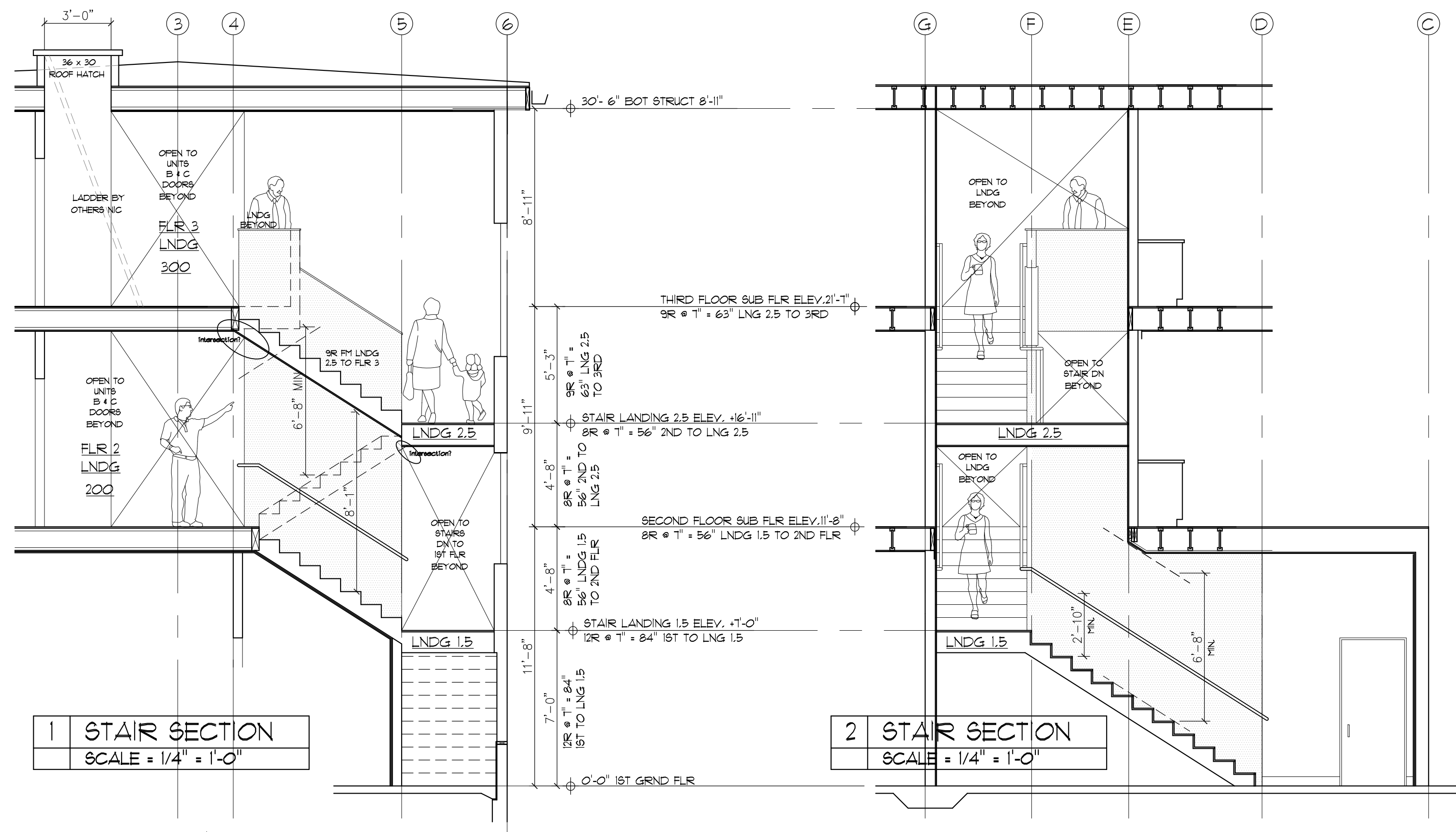


502 DEERING CENTER

NEW MIXED USE

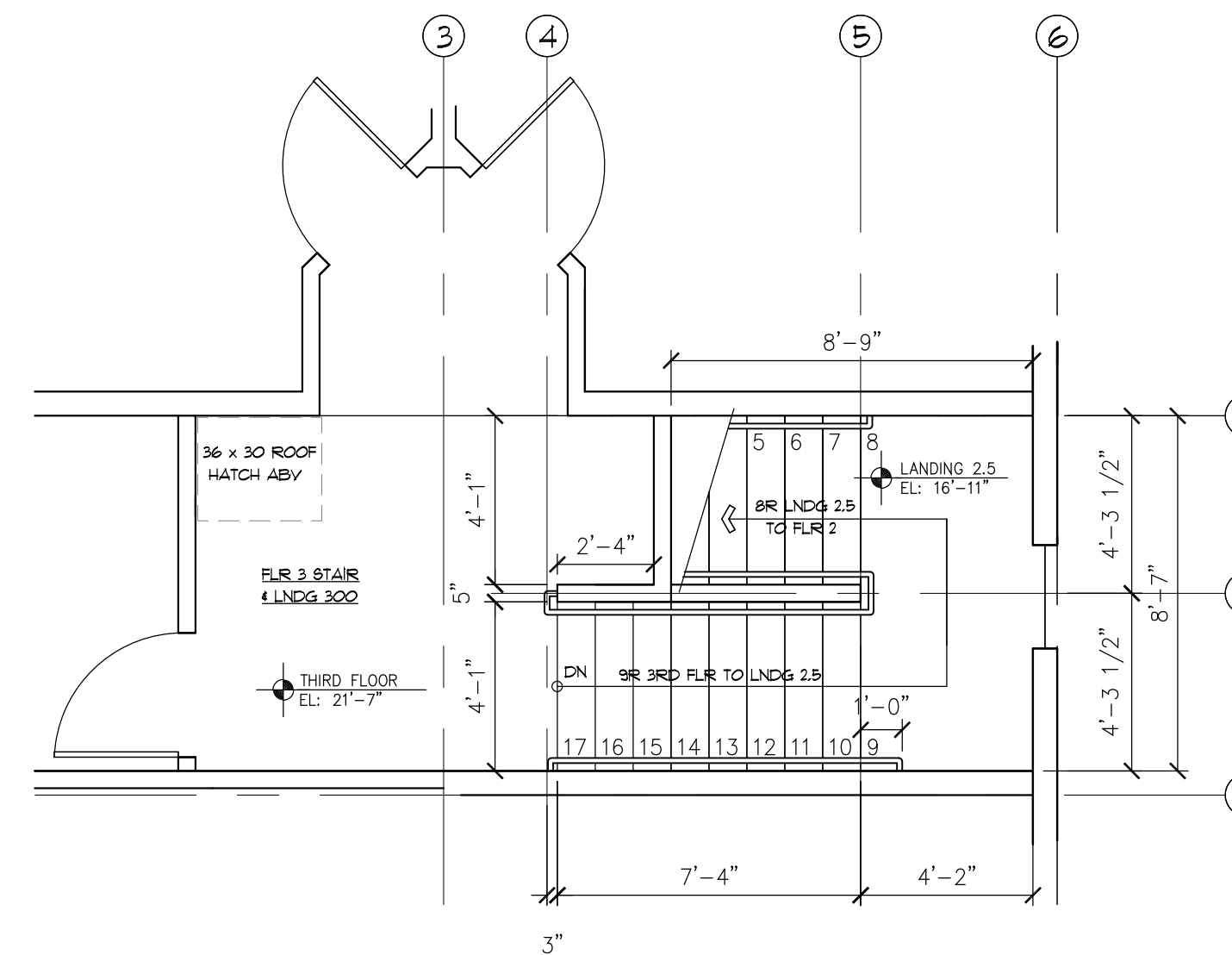
502 STEVENS AVE, PORTLAND ME

FOR PERMIT
NOT FOR
CONSTRUCTION

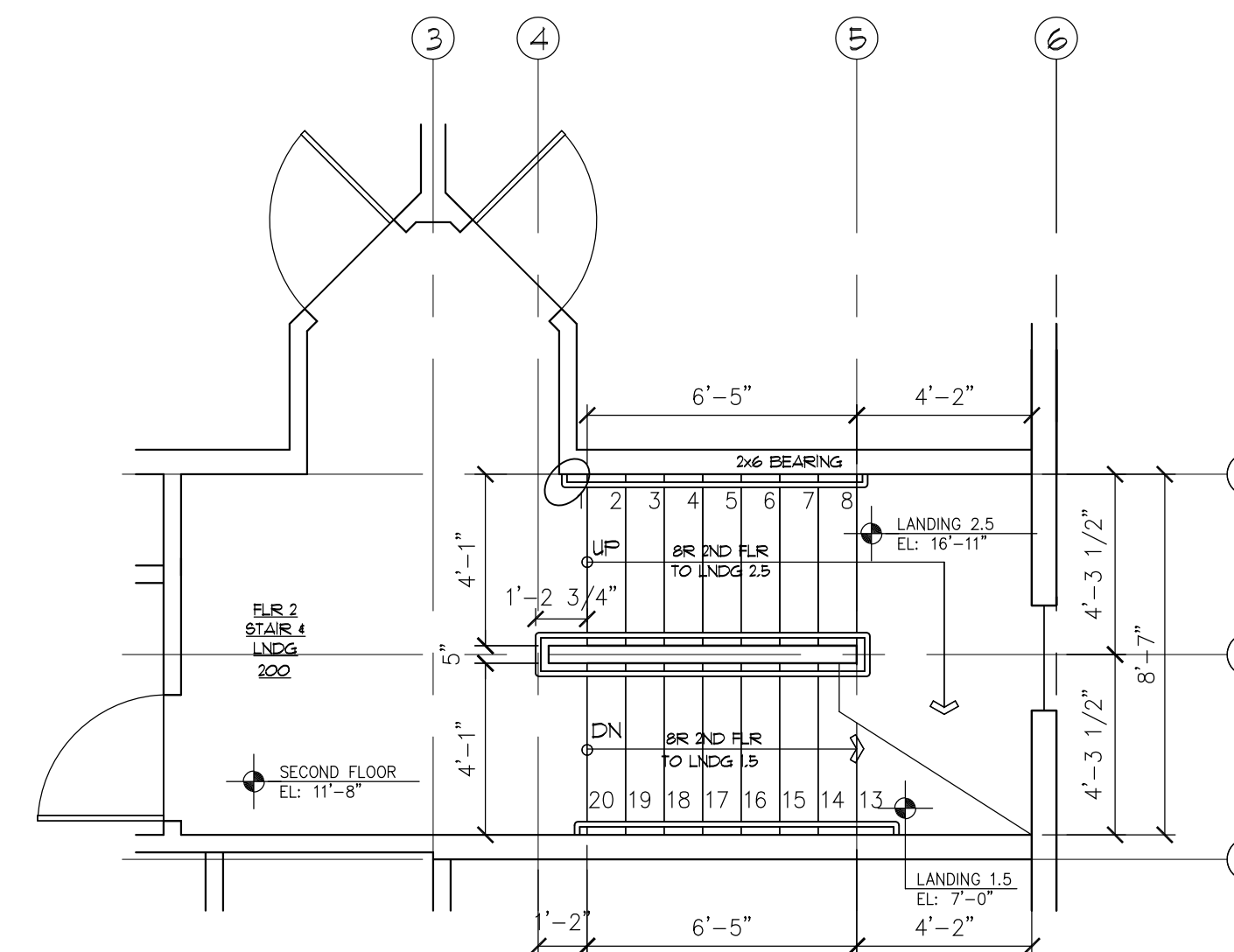


1 STAIR SECTION
SCALE = 1/4" = 1'-0"

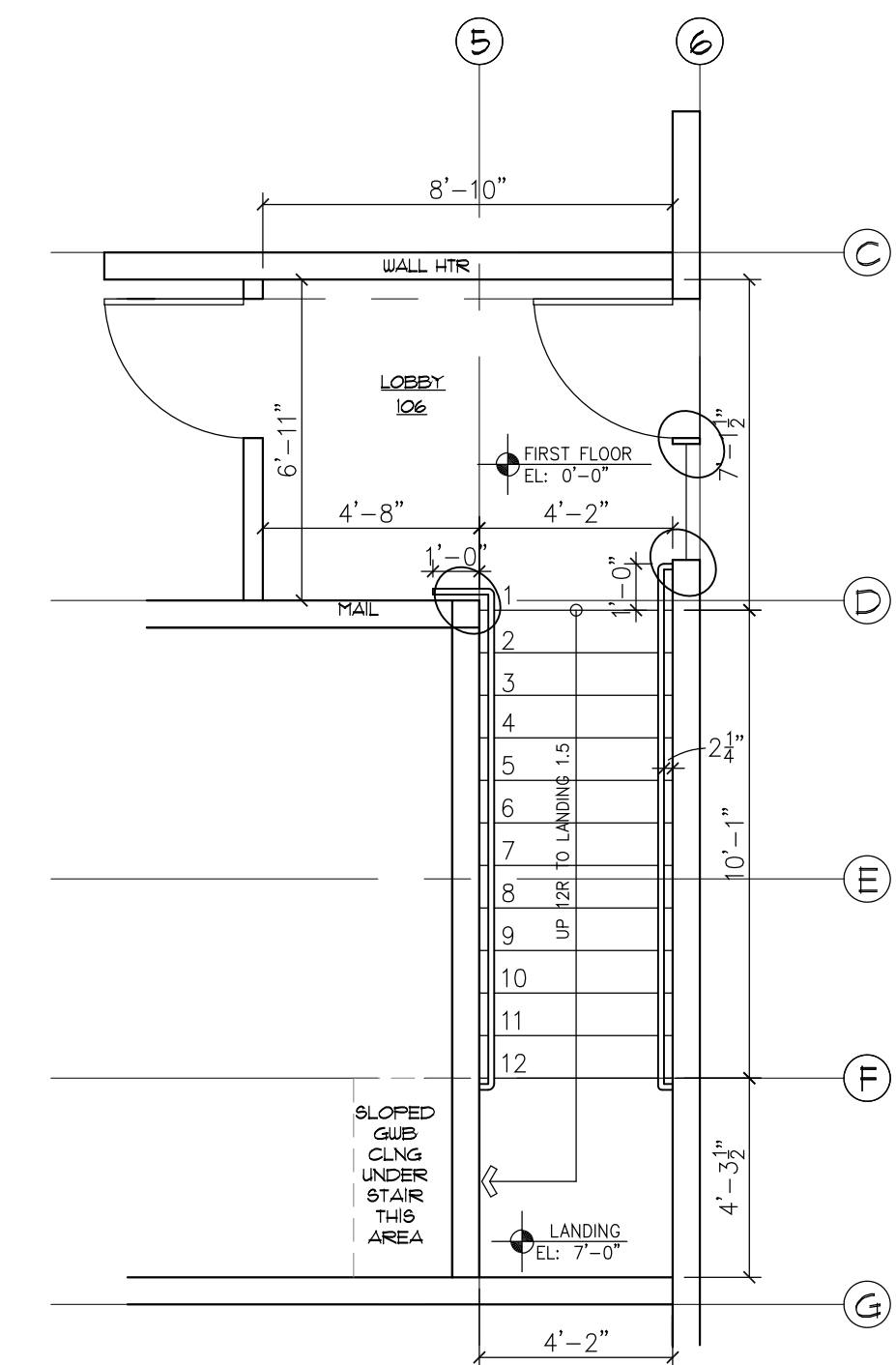
2 STAIR SECTION
SCALE = 1/4" = 1'-0"



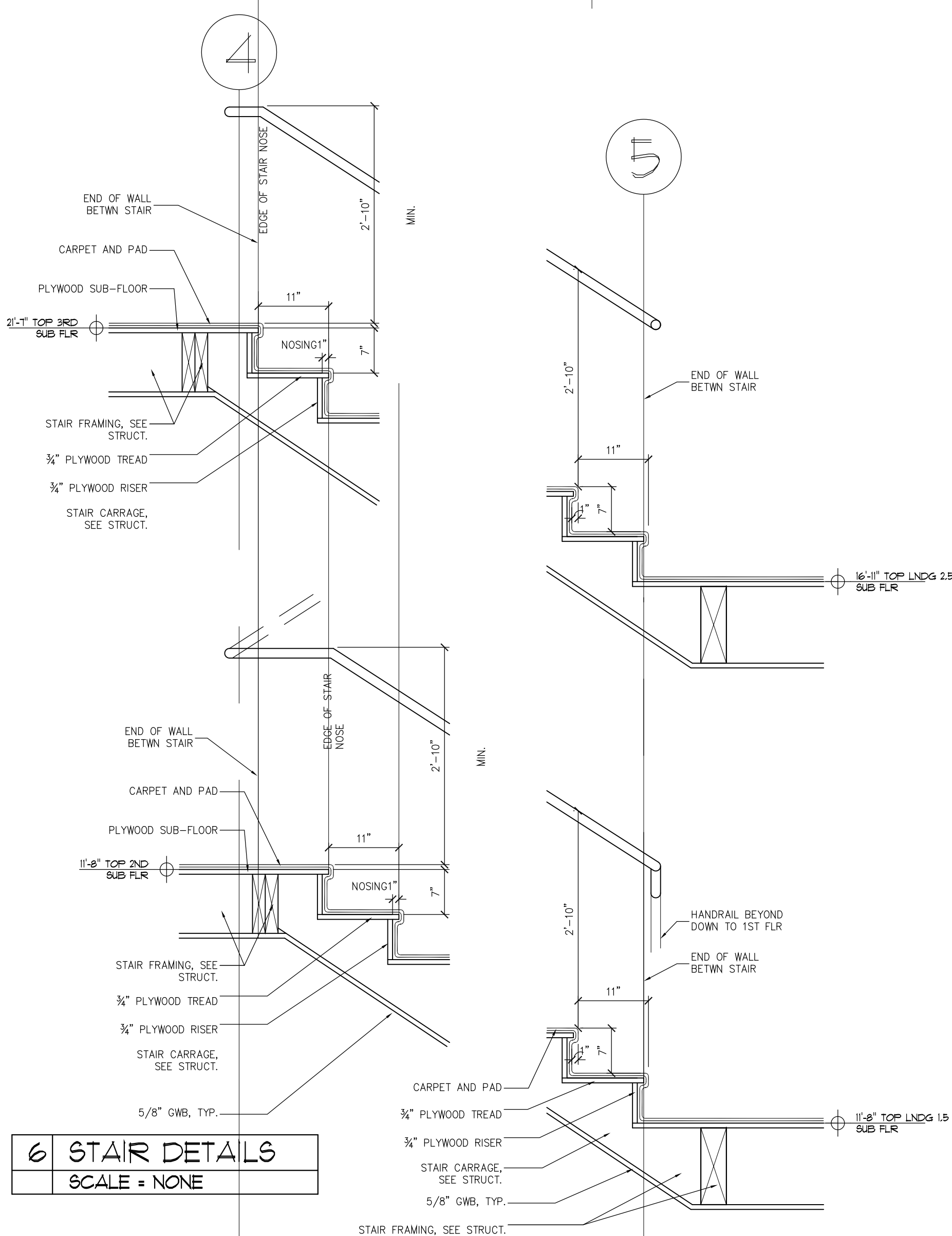
3 THIRD FLOOR STAIR PLAN
SCALE = 1/4" = 1'-0"



4 SECOND FLOOR STAIR PLAN
SCALE = 1/4" = 1'-0"



5 FIRST FLOOR STAIR PLAN
SCALE = 1/4" = 1'-0"



6 STAIR DETAILS
SCALE = NONE

TITLE:

STAIRS

REV	DATE	ISSUE
D		
C		
B		
A	05/15/2017	PERMIT

DRAWING NO:

A5.1