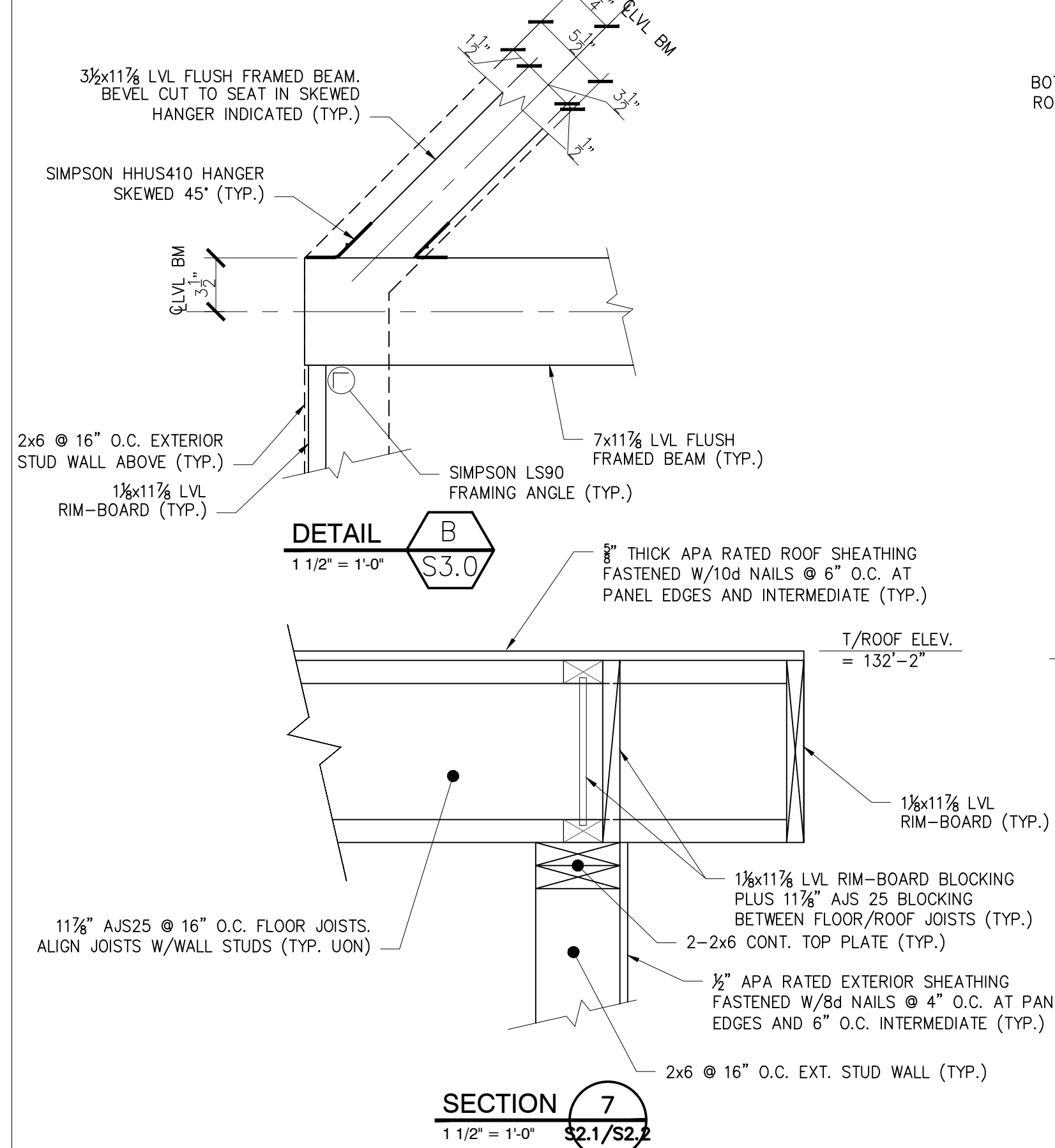
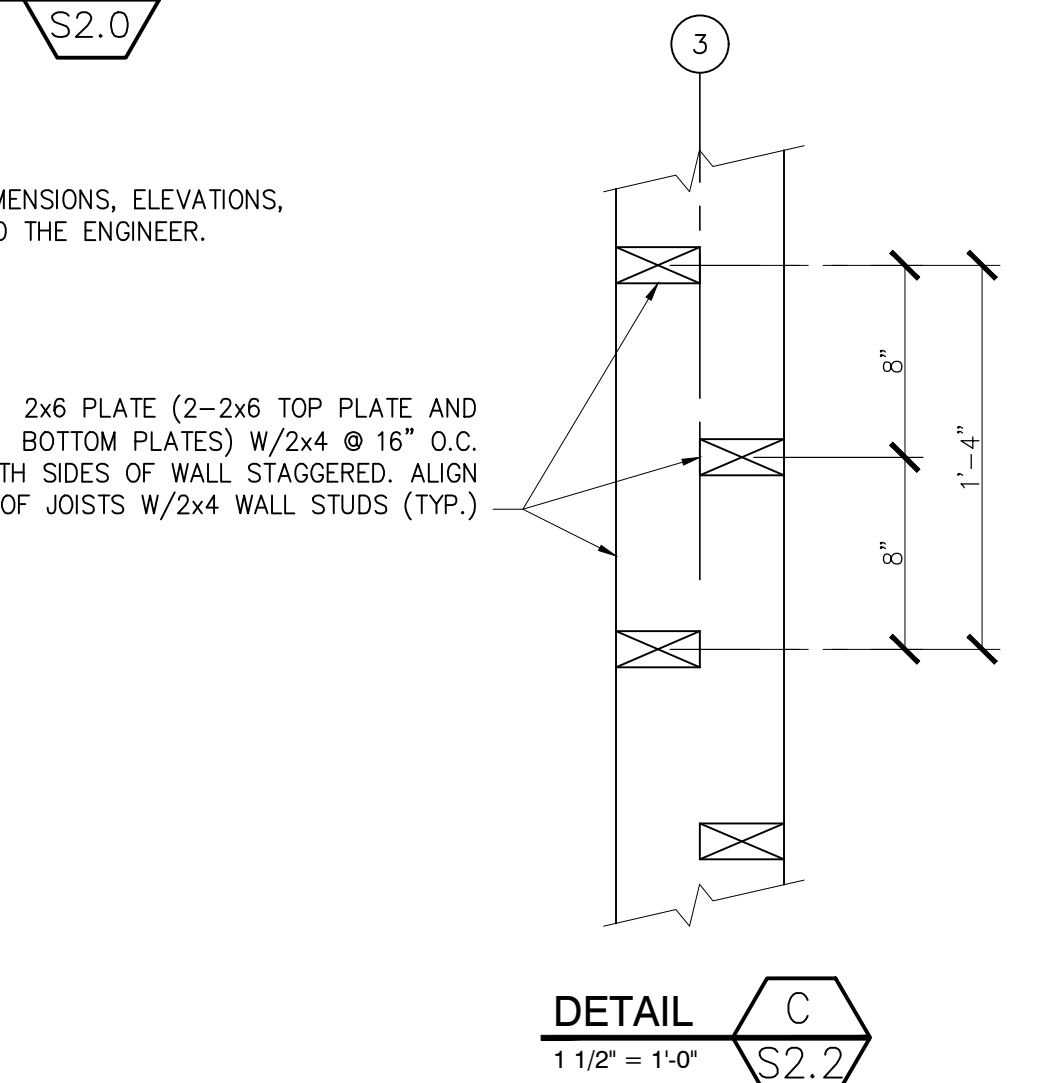


PARTIAL SECOND FLOOR FRAMING PLAN A
1/2" = 1'-0" S2.0

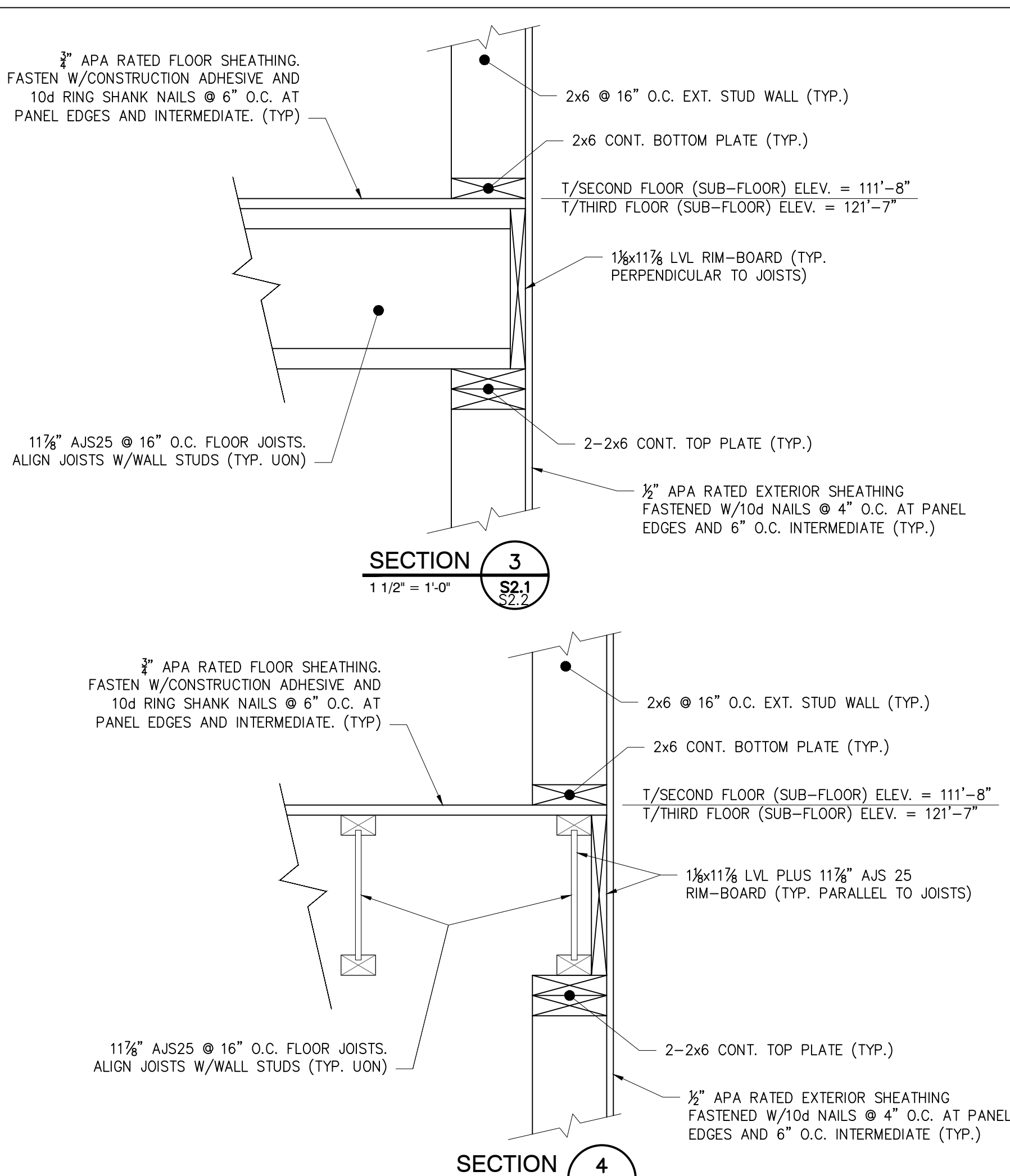
- NOTES:**
- SEE GENERAL NOTES ON DWG S1.
 - "E" INDICATES: EXISTING CONDITIONS, OR MEMBERS.
 - "TYP." INDICATES: TYPICAL (ALSO SEE GENERAL NOTE #5).
 - "V.I.F." INDICATES: G.C. SHALL "VERIFY IN FIELD" EXISTING DIMENSIONS, ELEVATIONS, OR CONDITIONS INDICATED AND REPORT ANY DISCREPANCIES TO THE ENGINEER.
 - "U.O.N." INDICATES: UNLESS OTHERWISE NOTED.
 - "S.S." INDICATES: STAINLESS STEEL.



SECTION 7
1 1/2" = 1'-0" S2.1/S2.2

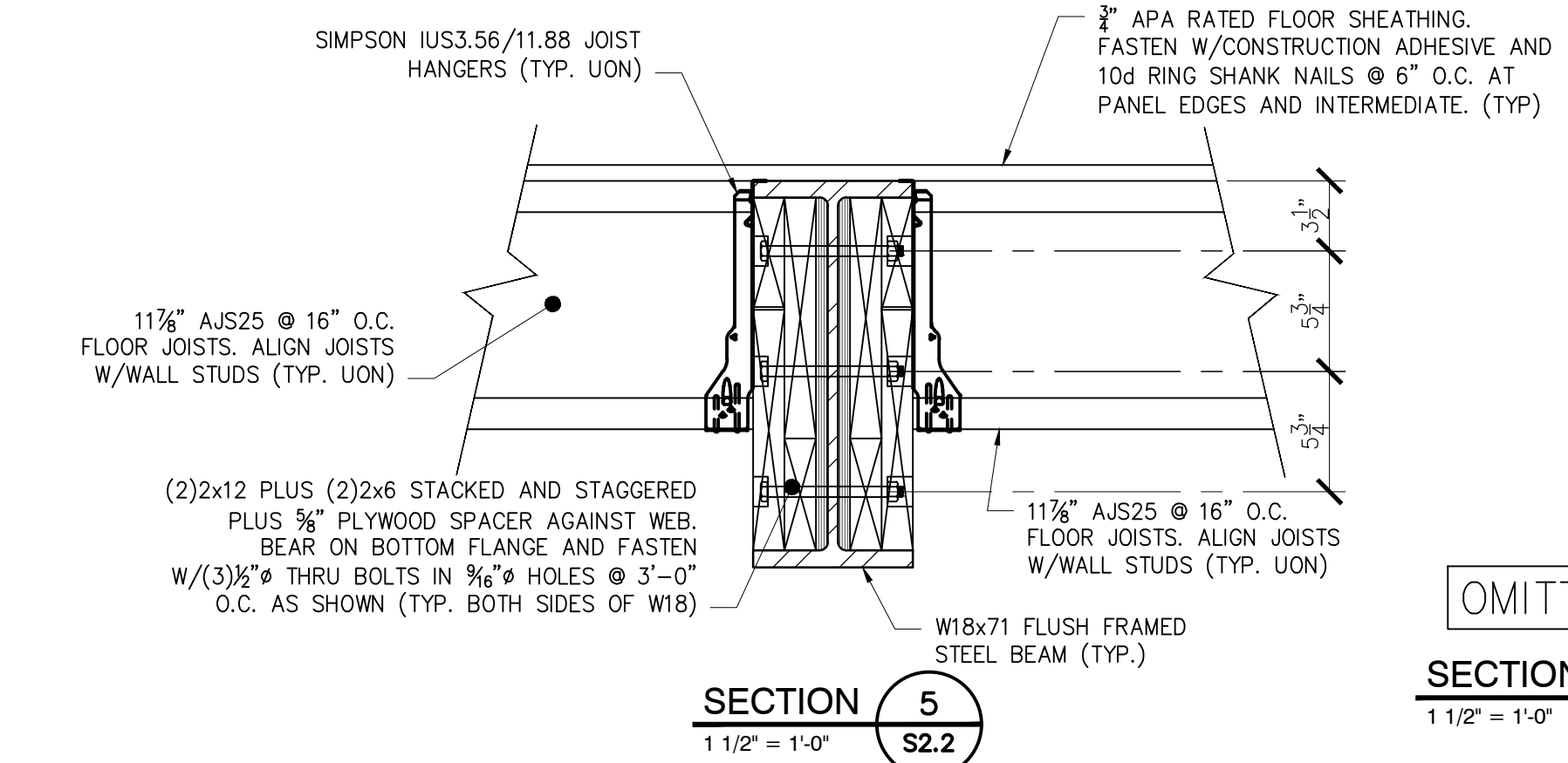


SECTION 8
1 1/2" = 1'-0" S2.2



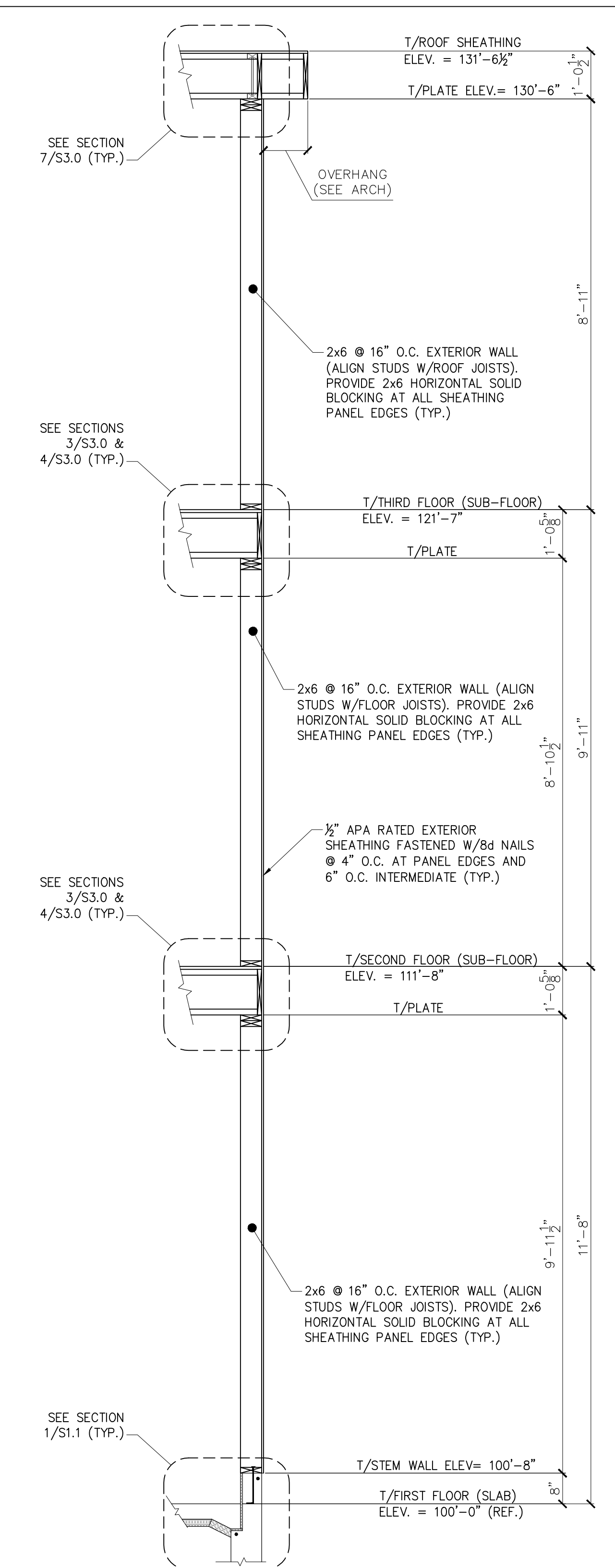
SECTION 3
1 1/2" = 1'-0" S2.1

SECTION 4
1 1/2" = 1'-0" S2.1

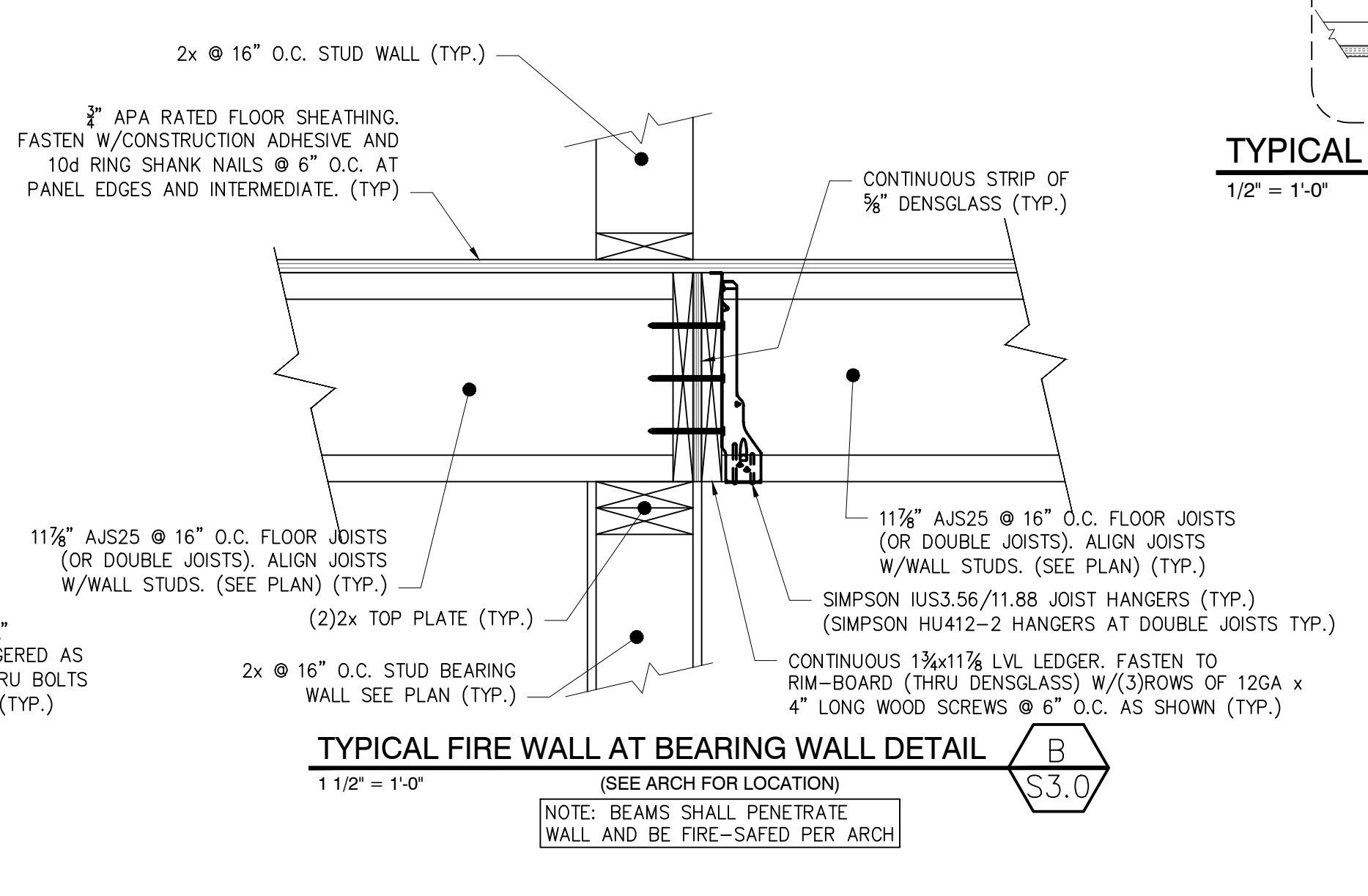


SECTION 5
1 1/2" = 1'-0" S2.2

SECTION 6
1 1/2" = 1'-0" S2.2

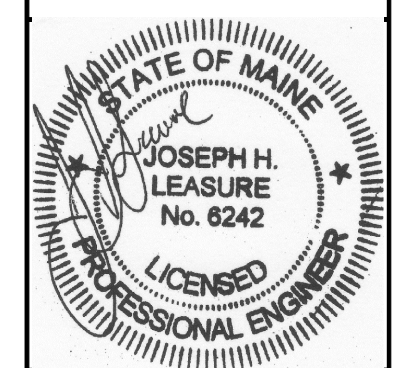


TYPICAL BUILDING WALL SECTION
1/2" = 1'-0"



TYPICAL FIRE WALL AT BEARING WALL DETAIL B
1 1/2" = 1'-0" S3.0

L & L STRUCTURAL ENGINEERING SERVICES, INC.
SIX Q. STREET
SOUTH PORTLAND, MAINE 04106
PHONE: (207) 767-4830
FAX: (207) 799-5432
EMAIL: LLEASURE@LL-ENG.COM



rev.	date	description	designed by: JHL	checked by: JHL	scale: AS NOTED	date: 01/20/2017	plot date: 05/10/2017	project #: 2017-001
A	01/20/17	PRICING & PERMIT ONLY	JHL	JHL				
B	02/03/17	REV BLDG PLAN/OMIT BSMT	JHL	JHL				
C	02/09/17	DESIGN DEVELOPMENT	JHL	JHL				
D	04/11/17	PRICING & PERMIT ONLY	JHL	JHL				
E	05/10/17	PRICING & PERMIT ONLY	JHL	JHL				

BUILDING LOCATED AT
502 DEERING CENTER
PORTLAND, MAINE

S3.0

THESE DRAWINGS HAVE BEEN DEVELOPED BY L&L STRUCTURAL ENGINEERING SERVICES, INC. FOR THE TITLED SET ONLY. THE DRAWINGS ARE THE SOLE PROPERTY OF L&L ENGINEERING SERVICES, INC. AND THEY SHALL NOT BE USED, LENT, COPIED OR ALTERED WITHOUT THE WRITTEN CONSENT OF L&L STRUCTURAL ENGINEERING SERVICES, INC.