

502 DEERING CENTER

NEW MIXED USE

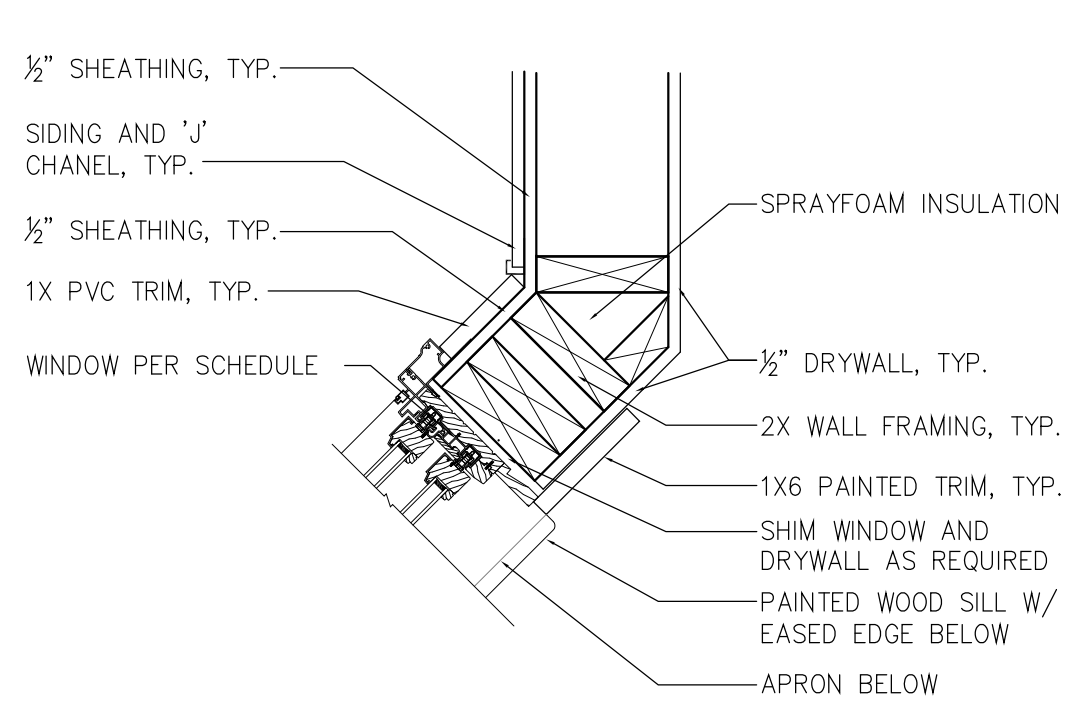
502 STEVENS AVE, PORTLAND ME

FOR PERMIT
NOT FOR
CONSTRUCTION

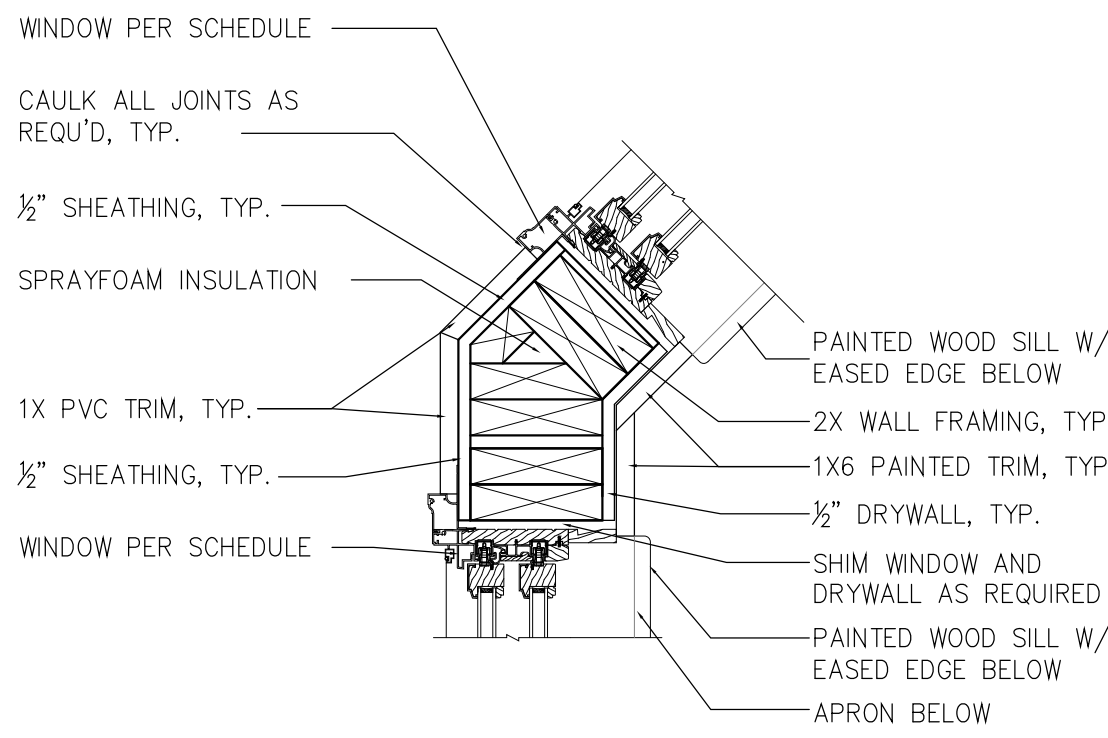
TITLE:
**ENLARGDED
EXT PLAN DTLS**

REV	DATE	ISSUE
D		
C		
B		
A	05/15/2017	PERMIT

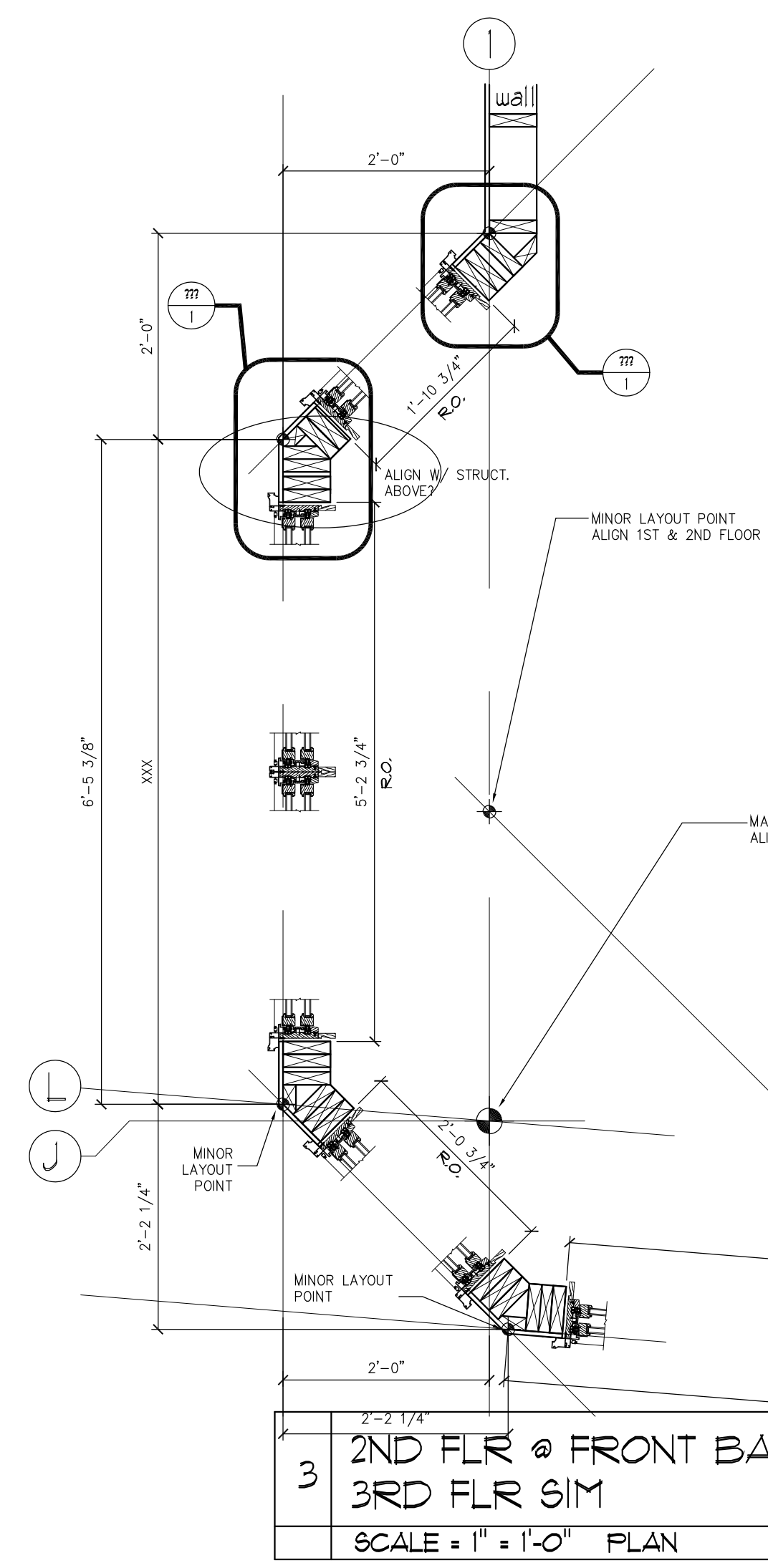
DRAWING NO:
A3.5



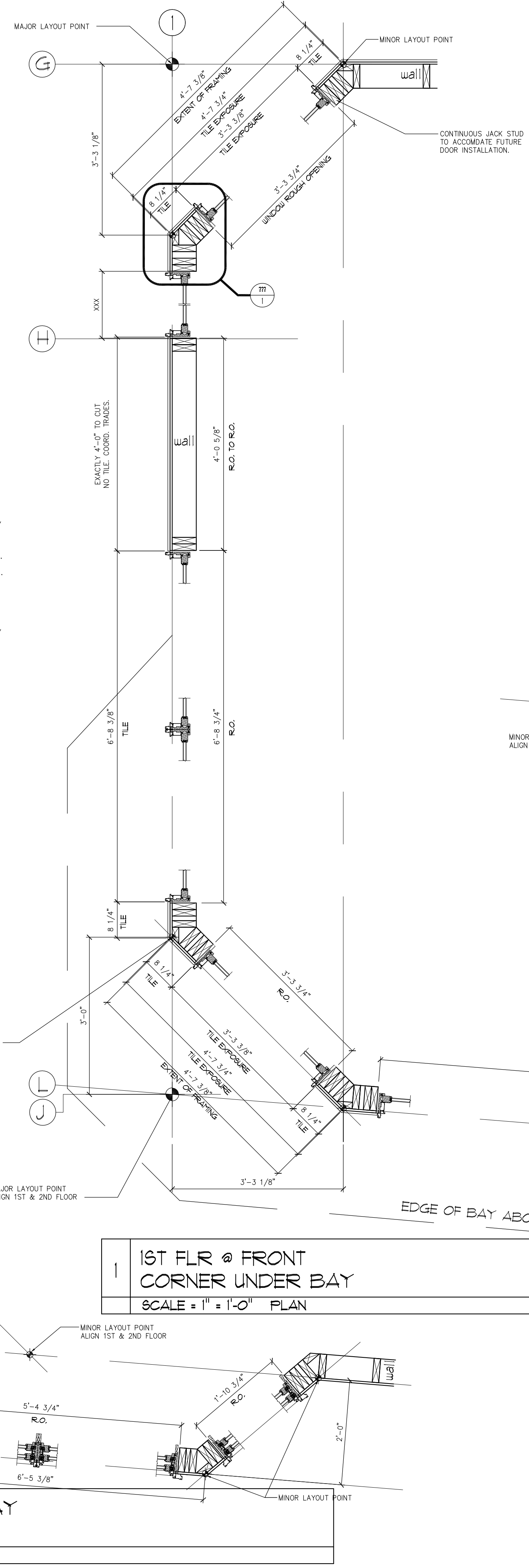
5 CORNER @ 2ND FLOOR BAY
SCALE = 1-1/2" = 1'-0" PLAN



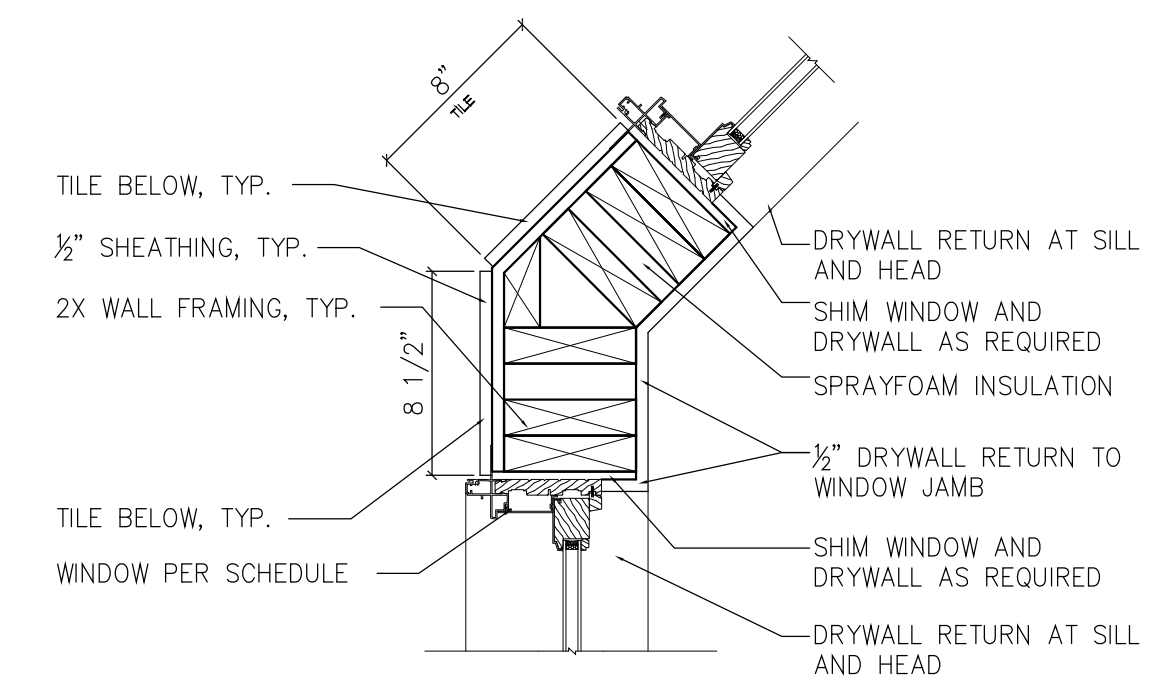
6 CORNER @ 2ND FLOOR BAY
SCALE = 1-1/2" = 1'-0" PLAN



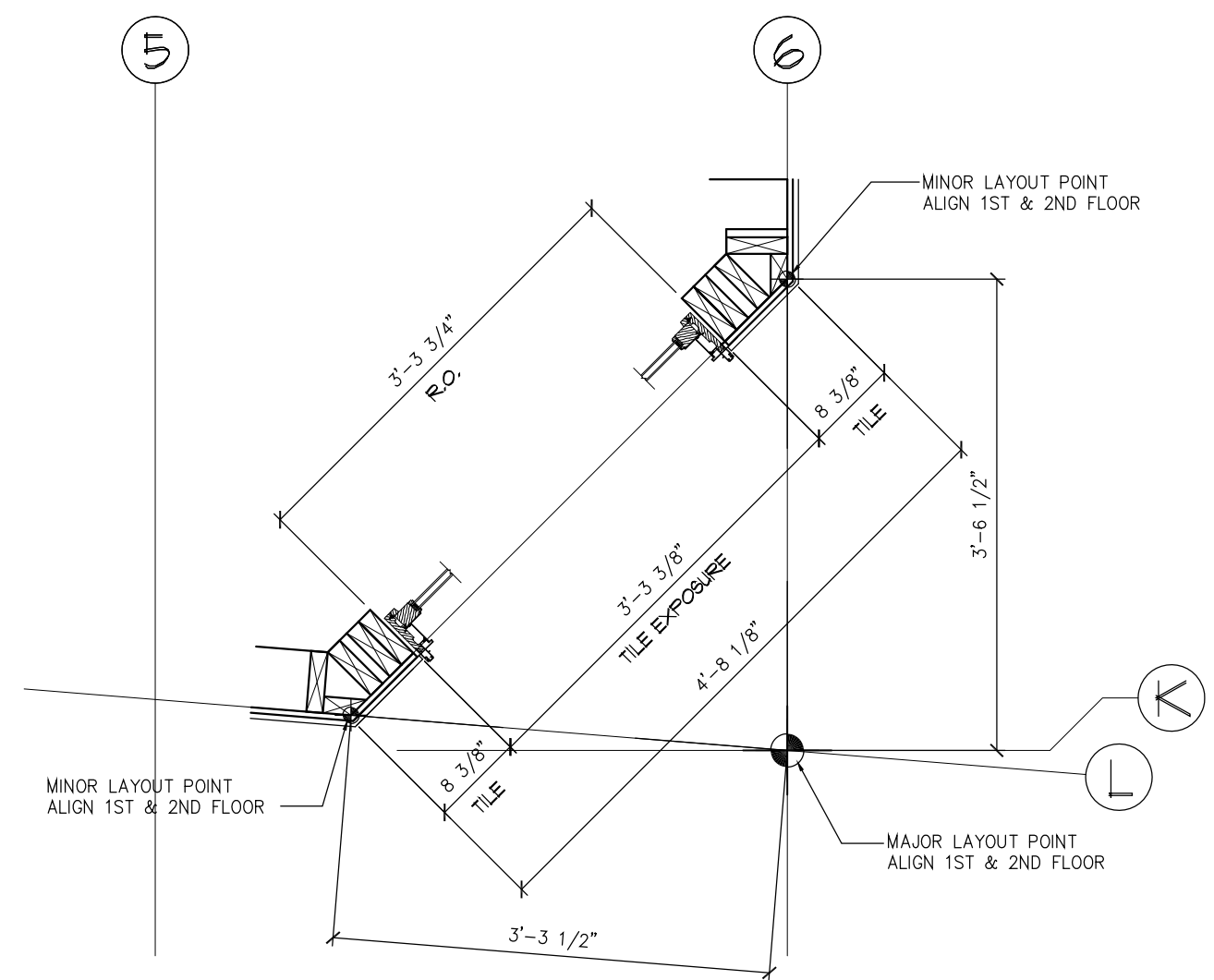
**3 2ND FLR @ FRONT BAY
3RD FLR SIM**
SCALE = 1" = 1'-0" PLAN



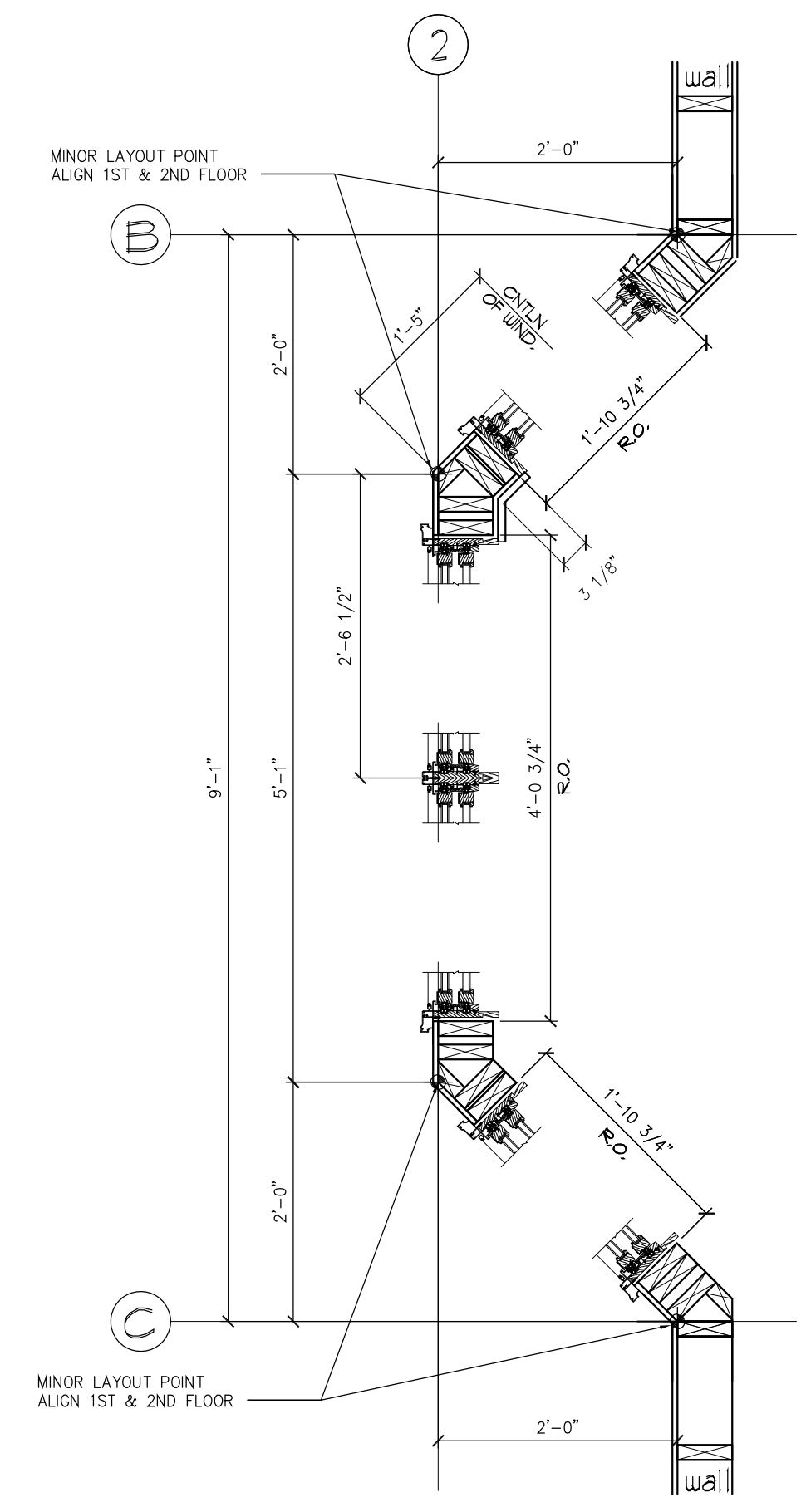
**1 1ST FLR @ FRONT
CORNER UNDER BAY**
SCALE = 1" = 1'-0" PLAN



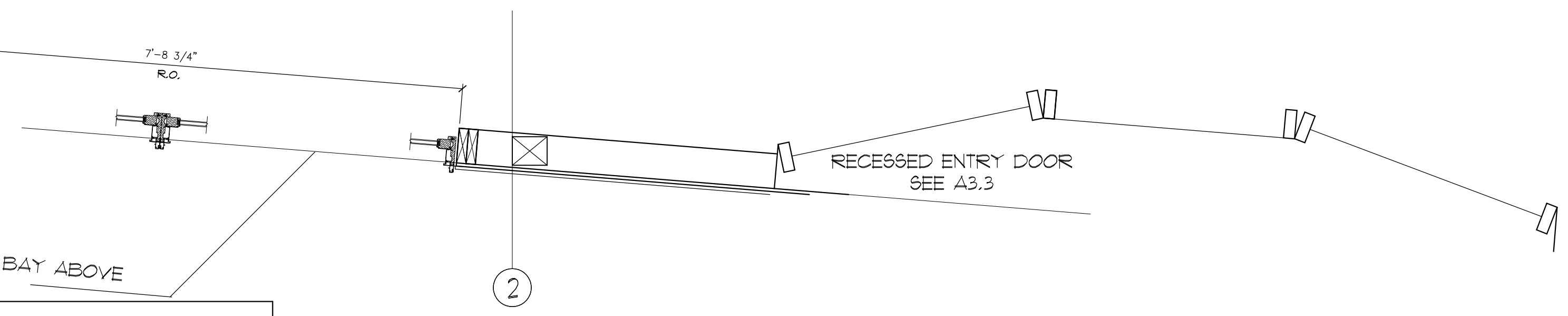
7 CORNER @ 1ST FLOOR TILE
SCALE = 1-1/2" = 1'-0" PLAN



2 1ST FLR WALL @ TILE
SCALE = 1" = 1'-0" PLAN



**4 2ND FLR @ REAR BAY
3RD FLR SIM**
SCALE = 1" = 1'-0" PLAN



2 1ST FLR WALL @ TILE
SCALE = 1" = 1'-0" PLAN

RECESSED ENTRY DOOR
SEE A3.3

EDGE OF BAY ABOVE