

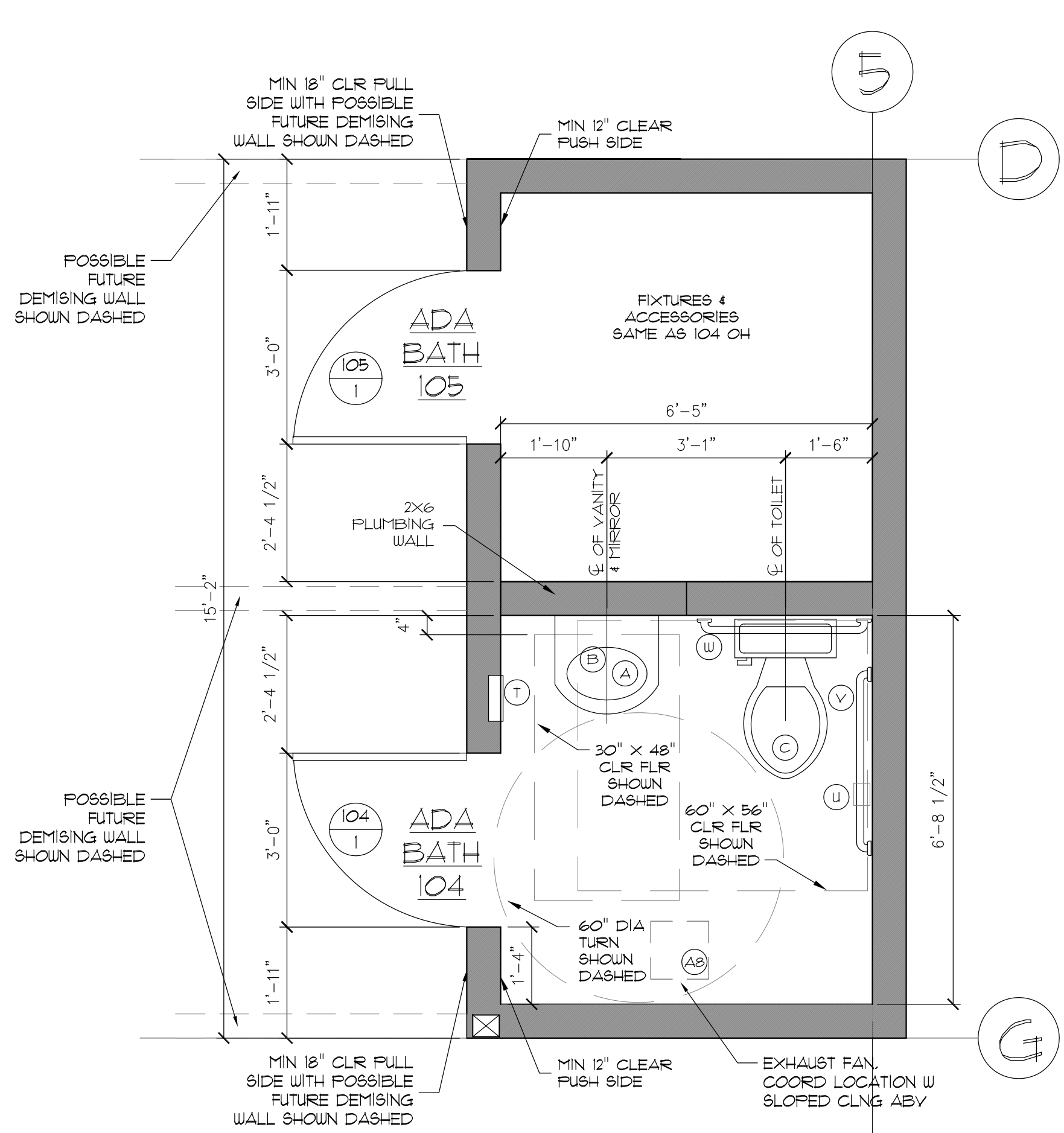
502 DEERING CENTER
NEW MIXED USE
502 STEVENS AVE, PORTLAND ME

FOR PERMIT
NOT FOR
CONSTRUCTION

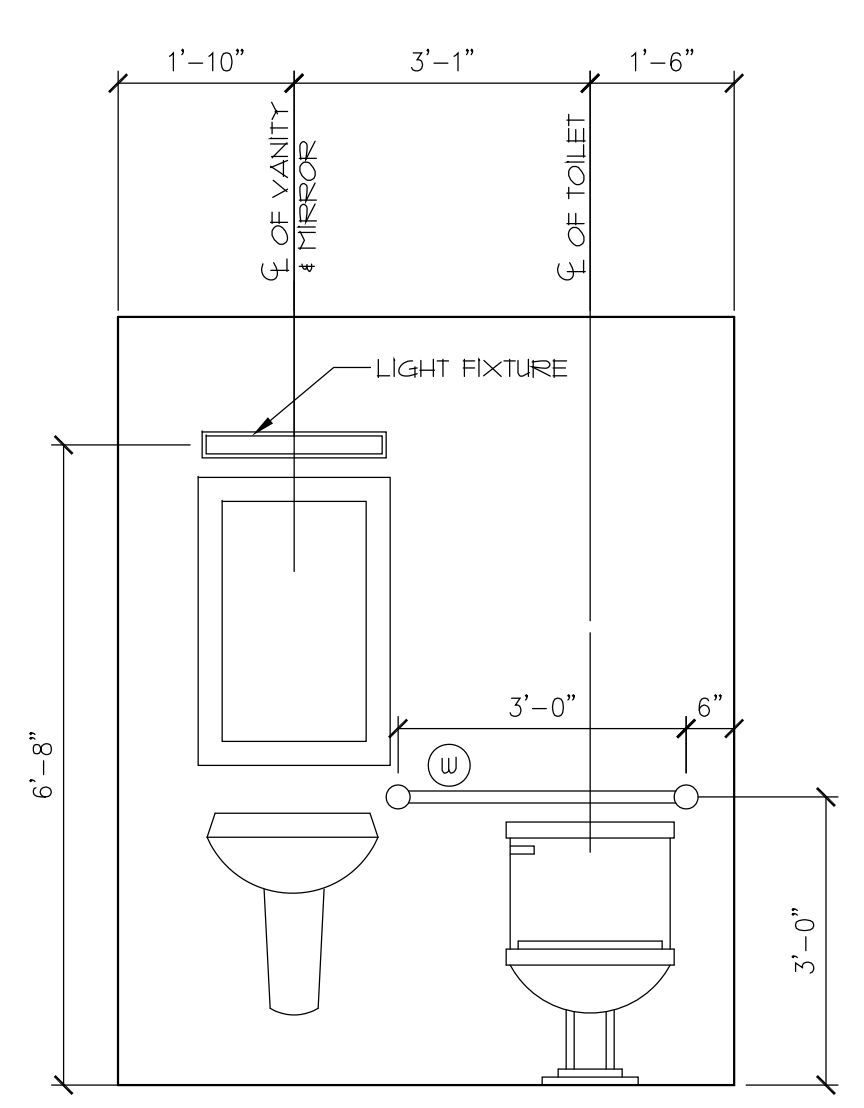
TITLE:
FLOOR PLAN

REV	DATE	ISSUE
D		
C		
B		
A	05/15/2017	PERMIT

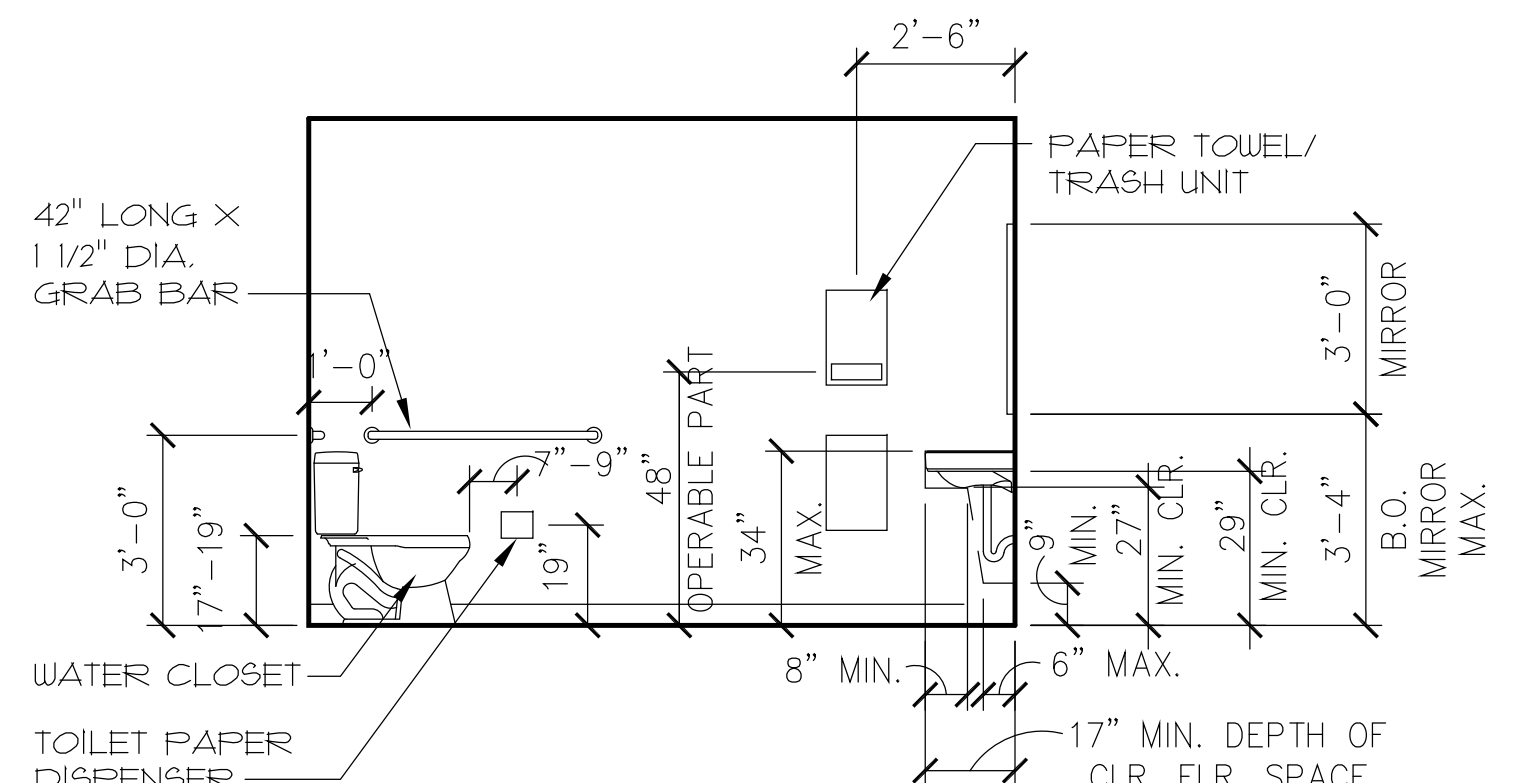
DRAWING NO.:
A1.1



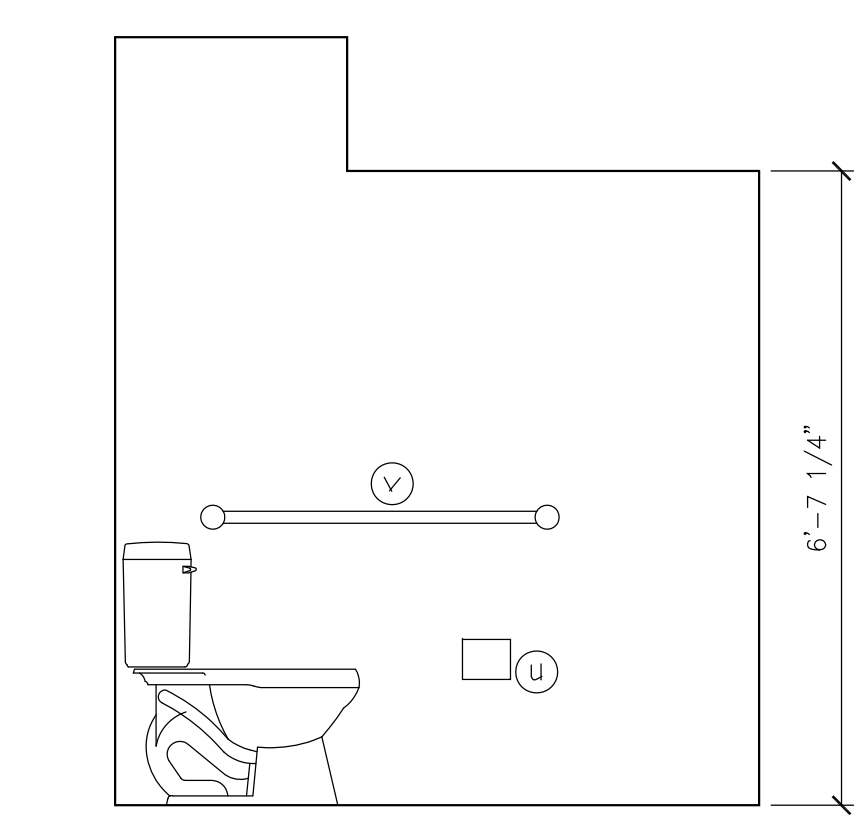
2 ENLARGED ADA BATH PLAN
SCALE = 1/2" = 1'-0"



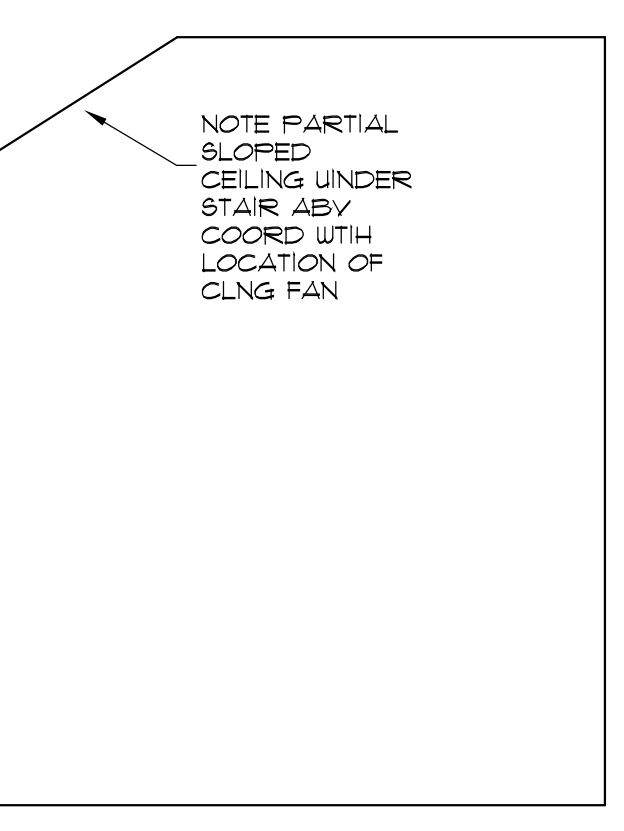
3 ADA BATH ELEVATIONS
SCALE = 1/2" = 1'-0"



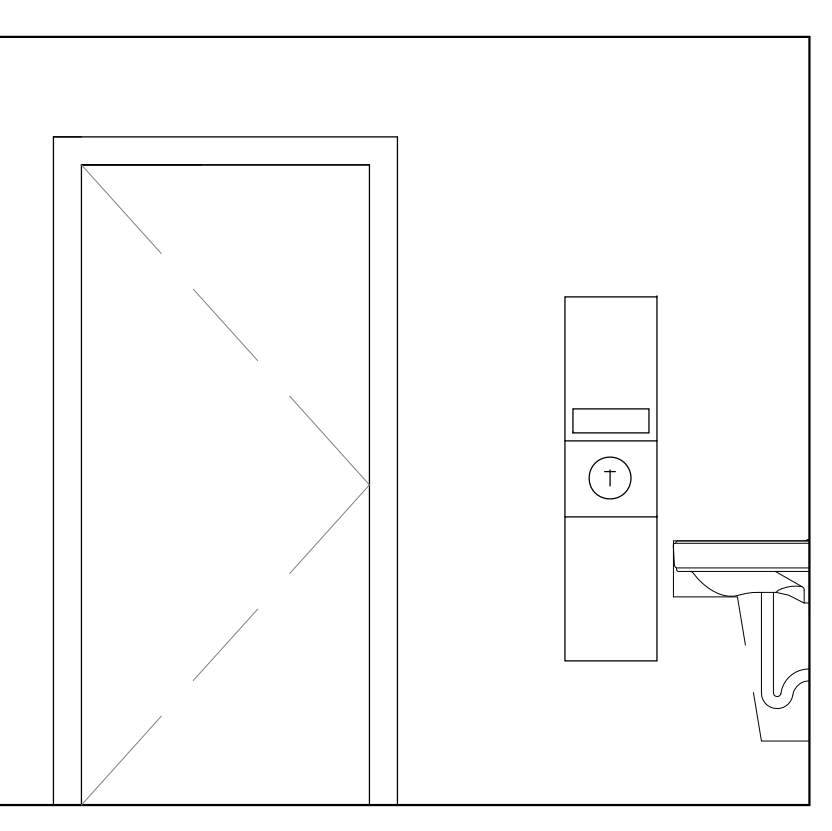
4 FIXTURES & ACCESSORIES MOUNTING
SCALE = NONE



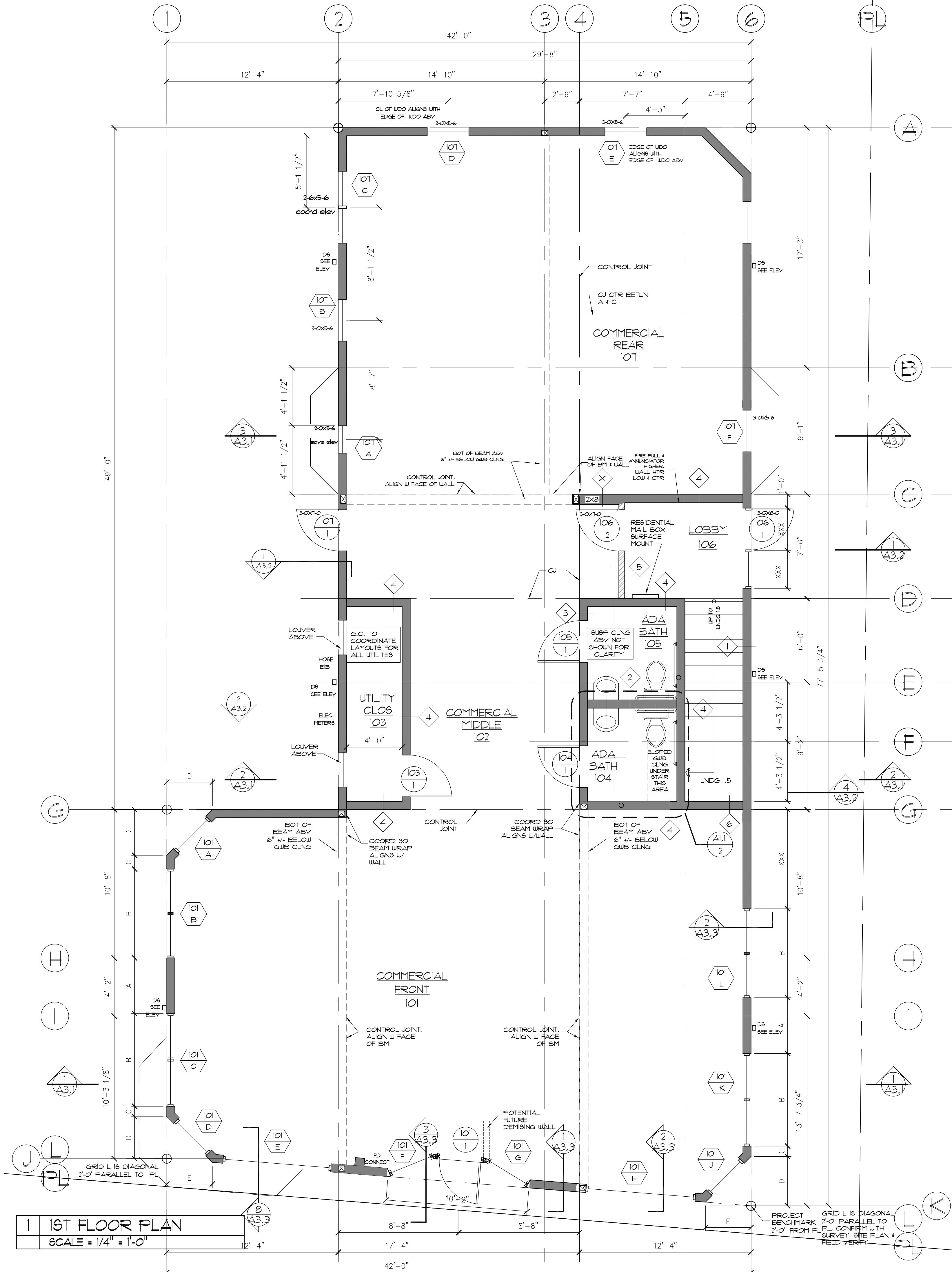
5 ADA BATH ELEV
SCALE = 1/2" = 1'-0"



6 ADA BATH ELEV
SCALE = 1/2" = 1'-0"



7 ADA BATH ELEV
SCALE = 1/2" = 1'-0"



1 1ST FLOOR PLAN
SCALE = 1/4" = 1'-0"