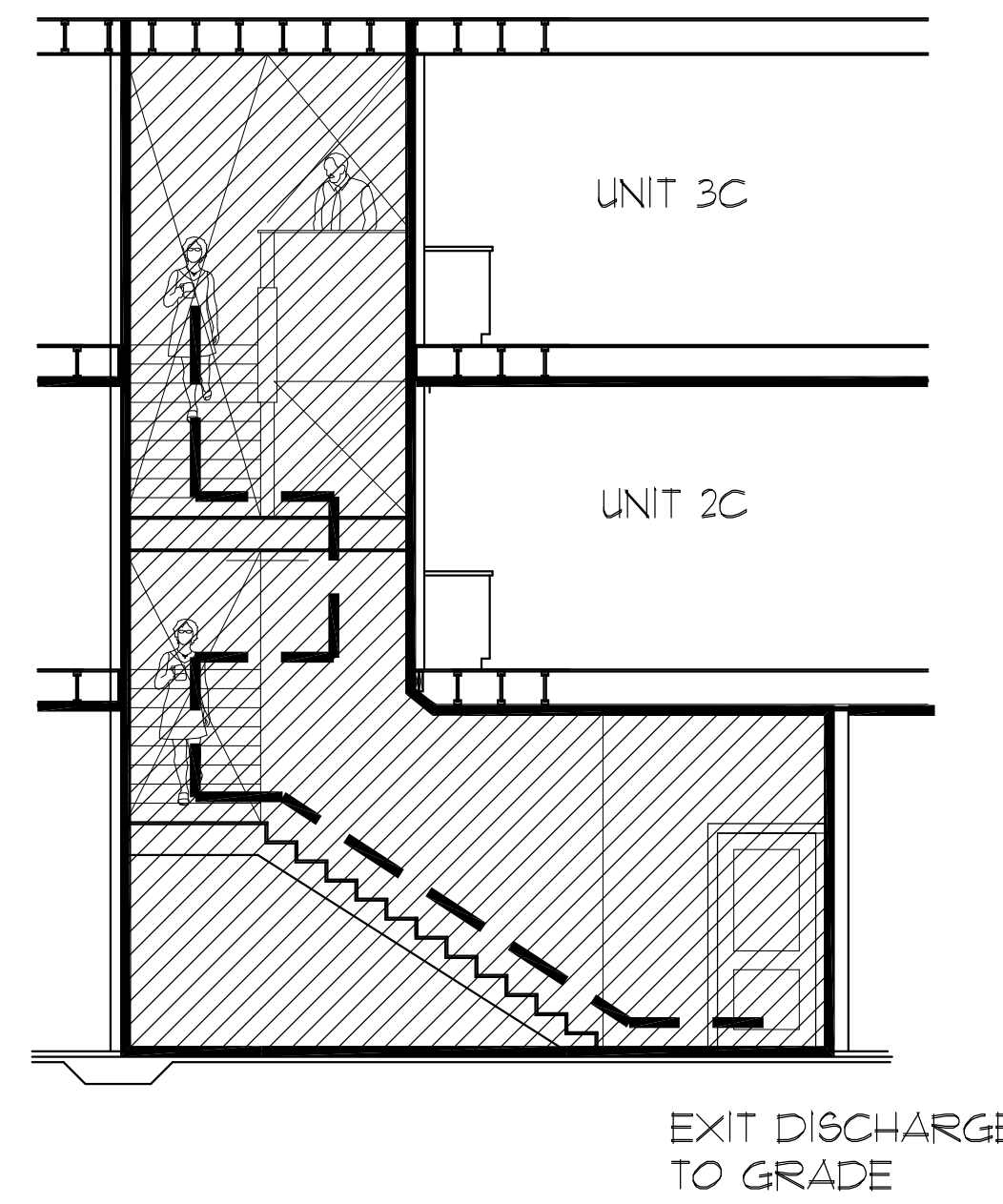
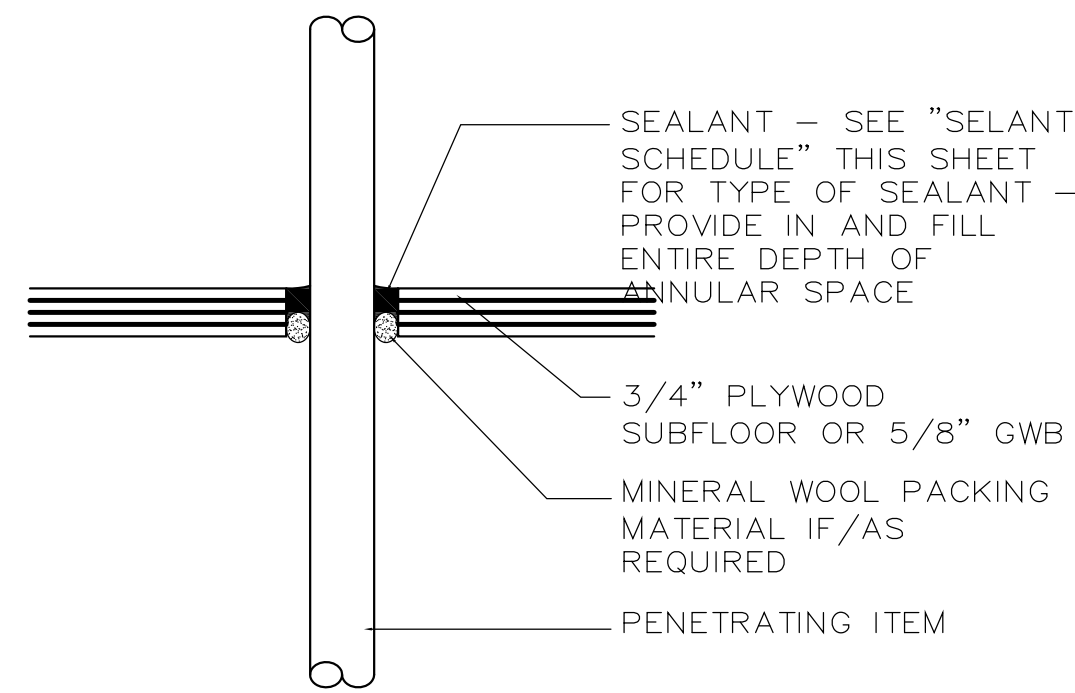


MAX. 50' TRAVEL FROM UNIT DOOR WITHIN RATED STAIR ENCLOSURE TO EXIT DISCHARGE

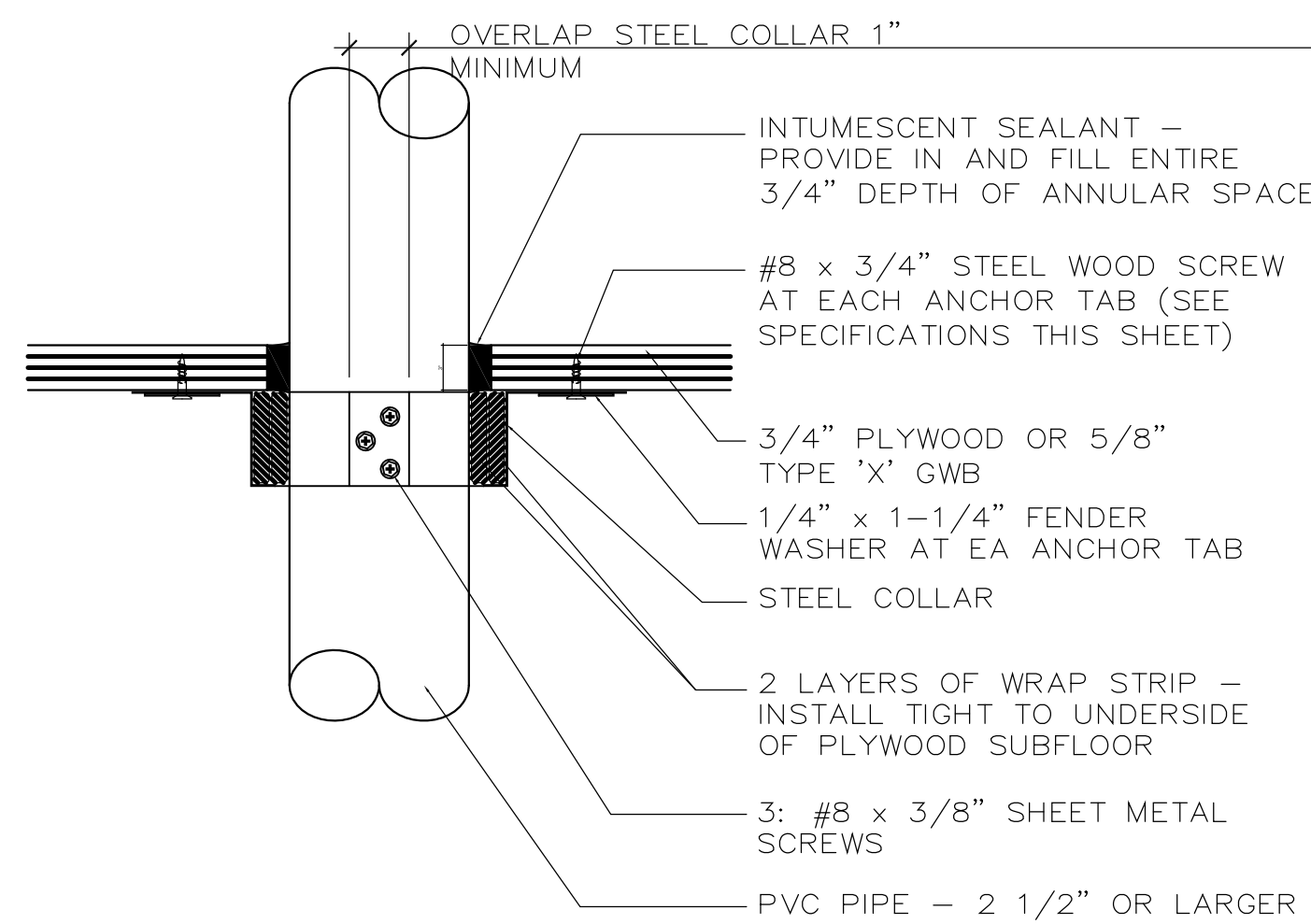


EXIT DISCHARGE TO GRADE

3 FIRE RESISTANCE RATED STAIR ENCLOSURE
NO SCALE



1 DETAIL LESS THAN 2 1/2" PVC PIPE PENETRATION
SCALE: 3" = 1'-0"



2 DETAIL FOR 2 1/2" AND LARGER PVC PIPE PENETRATION
SCALE: 3" = 1'-0"

4 FIRE STOP DETAIL & SPECS
NO SCALE

FIRE STOPPING SPECIFICATIONS:

WRAP STRIP: 1/4" THICK x 1 1/2" MINIMUM WIDTH INTUMESCENT MATERIAL WITH PLASTIC FILM FACING BOTH SIDES. TEMPORARILY SECURE WITH MASKING TAPE. SPECIFIED TECHNOLOGIES INC. (STI) "SpecSeal RED Wrap Strip" OR "SpecSeal BLU Wrap Strip" OR EQUAL.

FIRESTOP DEVICE: IN LIEU OF THE WRAP STRIP AND STEEL COLLAR, A FIRESTOP DEVICE MAY BE USED AS FOLLOWS:

- a. FOR 3" PVC PIPE (3 1/2" O.D.): STI "SpecSeal LCC" COLLAR #LCC300
- b. FOR 4" PVC PIPE (4 1/2" O.D.): STI "SpecSeal LCC" COLLAR #LCC400
- c. DO NOT USE FIRESTOP DEVICE AT JOINTS (JOINT FLANGES) IN PIPE; PROVIDE WRAP STRIP AND STEEL COLLAR

STEEL COLLAR: WRAP STRIP MANUFACTURER'S STEEL COLLAR, FABRICATED FROM .016 INCH THICK GALVANIZED SHEET STEEL, WIDTH TO MATCH WRAP STRIP (1 1/2" MINIMUM), WITH 1 INCH x 2 INCH ANCHOR TABS AND RETAINER TABS. ANCHOR TABS TO BE SYMMETRICALLY OPPOSED AROUND COLLAR; PROVIDE 3 TABS FOR 2 1/2" AND 3" PIPE; PROVIDE 4 TABS FOR 4" PIPE.

INTUMESCENT SEALANT: ONE-PART, INTUMESCENT, LATEX ELASTOMER TESTED TO ASTM E 814. MINIMUM EXPANSION OF 3x AT 1000°F. 3M "FIRE BARRIER SEALANT CP 25WB+" OR EQUAL.

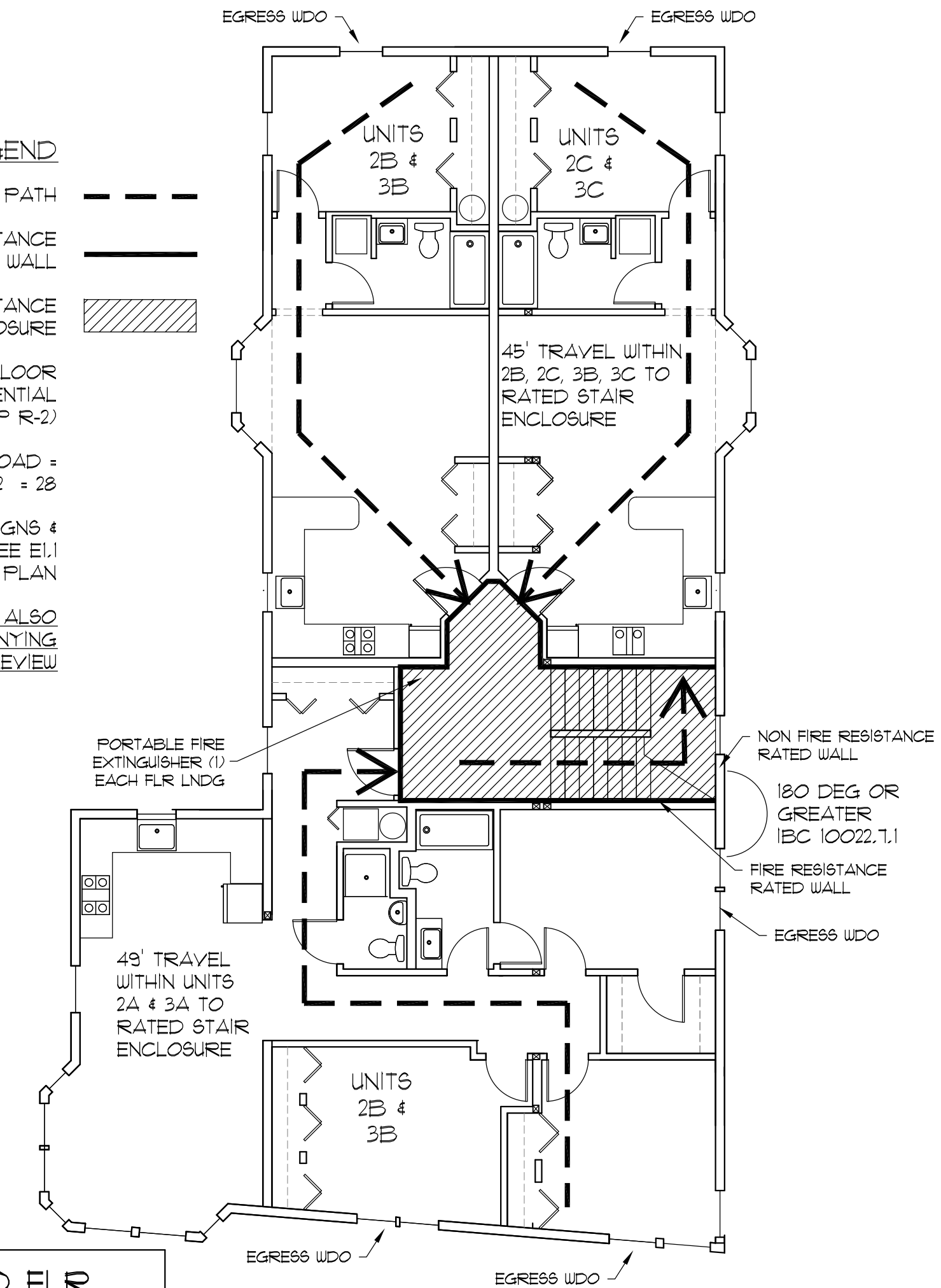
FIRESTOP SEALANT: SINGLE COMPONENT NONCOMBUSTIBLE FIRE RATED SEALANT TESTED TO ASTM E 814. TESTED TO 3000°F. "BOSS 136 FIRESTOP/DRAFT SEALANT" MANUFACTURED BY ACCUMETRIC, LLC., OR EQUAL.

SEALANT SCHEDULE:

INTUMESCENT SEALANT: PROVIDE AT ALL PENETRATIONS THROUGH RATED CONSTRUCTION FOR PENETRATING ITEMS INCLUDING BUT NOT LIMITED TO: PVC PIPE; ROOF LEADER PIPES; GAS PIPES & LINES; SPRINKLER PIPES; ELECTRICAL & COMMUNICATIONS CABLES & WIRES; AND ALARM SYSTEM WIRES. DO NOT USE INTUMESCENT SEALANT AT DOMESTIC HOT WATER OR HYDRONIC HEATING SYSTEM PIPES.

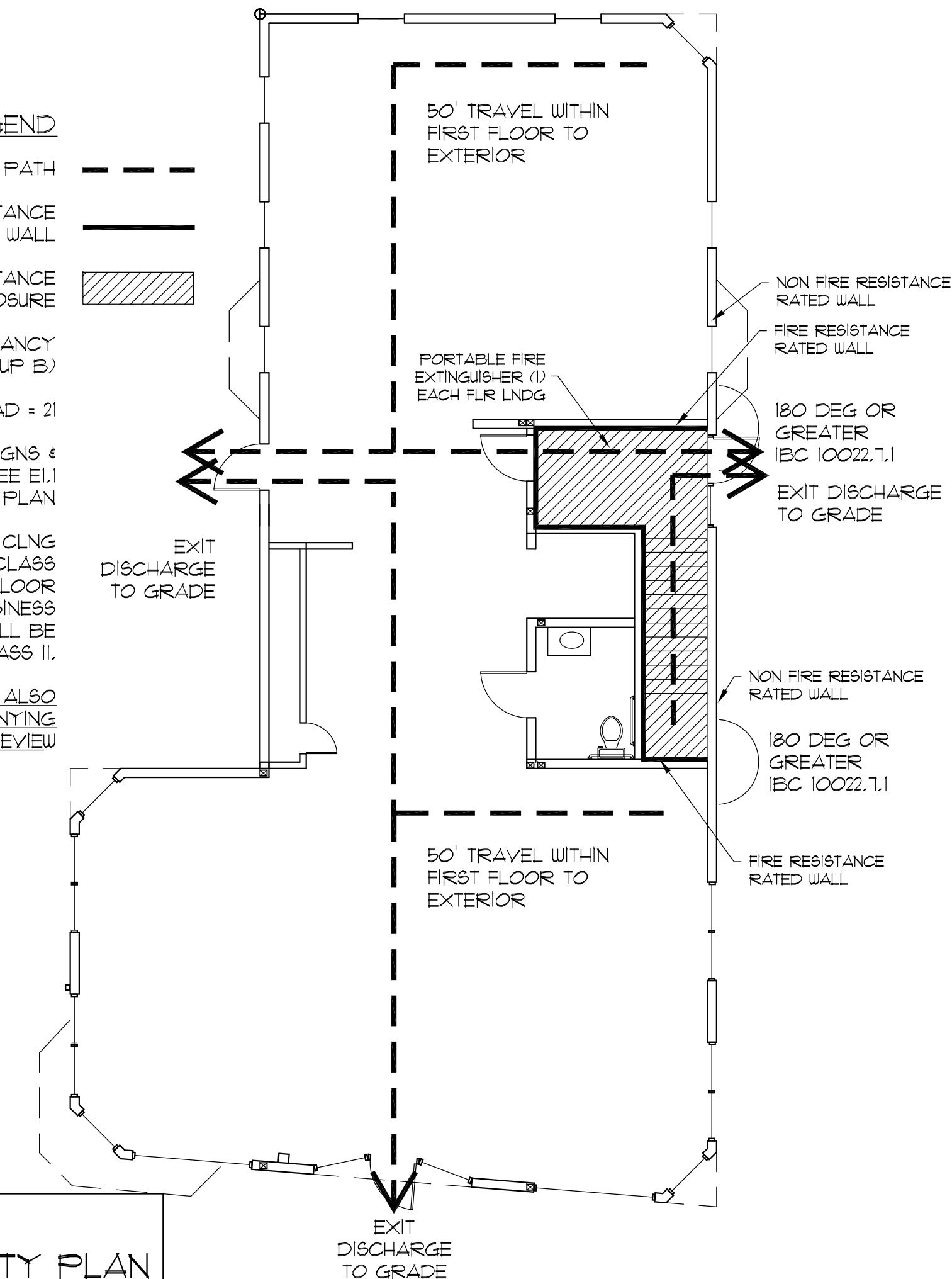
FIRESTOP SEALANT: PROVIDE AT ALL PENETRATIONS THROUGH RATED CONSTRUCTION FOR PENETRATING ITEMS INCLUDING DOMESTIC HOT AND COLD WATER PIPES AND HYDRONIC HEATING SYSTEM PIPES.

LEGEND
EGRESS PATH
1 HOUR FIRE RESISTANCE RATED WALL
1 HOUR FIRE RESISTANCE RATED STAIR ENCLOSURE
2ND & 3RD FLOOR OCCUPANCY RESIDENTIAL (GROUP R-2)
OCCUPANT LOAD = 14 X 2 = 28
ILLUMINATION, EXIT SIGNS & FIRE ALARMS SEE E.I. ELECT LIGHTING PLAN
SEE ALSO ACCOMPANYING COMPLETE CODE REVIEW

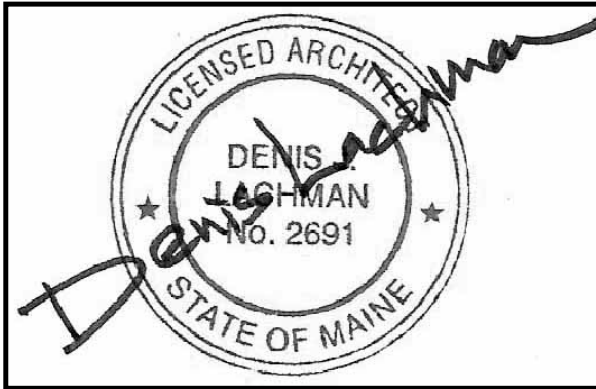


2ND & 3RD FLR LIFE SAFETY PLAN
SCALE = NONE

LEGEND
EGRESS PATH
1 HOUR FIRE RESISTANCE RATED WALL
1 HOUR FIRE RESISTANCE RATED STAIR ENCLOSURE
1ST FLOOR OCCUPANCY BUSINESS (GROUP B)
OCCUPANT LOAD = 21
ILLUMINATION, EXIT SIGNS & FIRE ALARMS SEE E.I. ELECT LIGHTING PLAN
INTERIOR WALL AND CLNG FINISHES SHALL BE CLASS A OR B. INTERIOR FLOOR FINISHES FOR BUSINESS OCCUPANCY SHALL BE CLASS I OR CLASS II.
SEE ALSO ACCOMPANYING COMPLETE CODE REVIEW



1ST FLR LIFE SAFETY PLAN
SCALE = NONE



502 DEERING CENTER
NEW MIXED USE

502 STEVENS AVE, PORTLAND ME

FOR PERMIT
NOT FOR
CONSTRUCTION

TITLE: LIFE SAFETY PLANS

REV	DATE	ISSUE
D		
C		
B		
A	05/15/2017	PERMIT

DRAWING NO:
AO