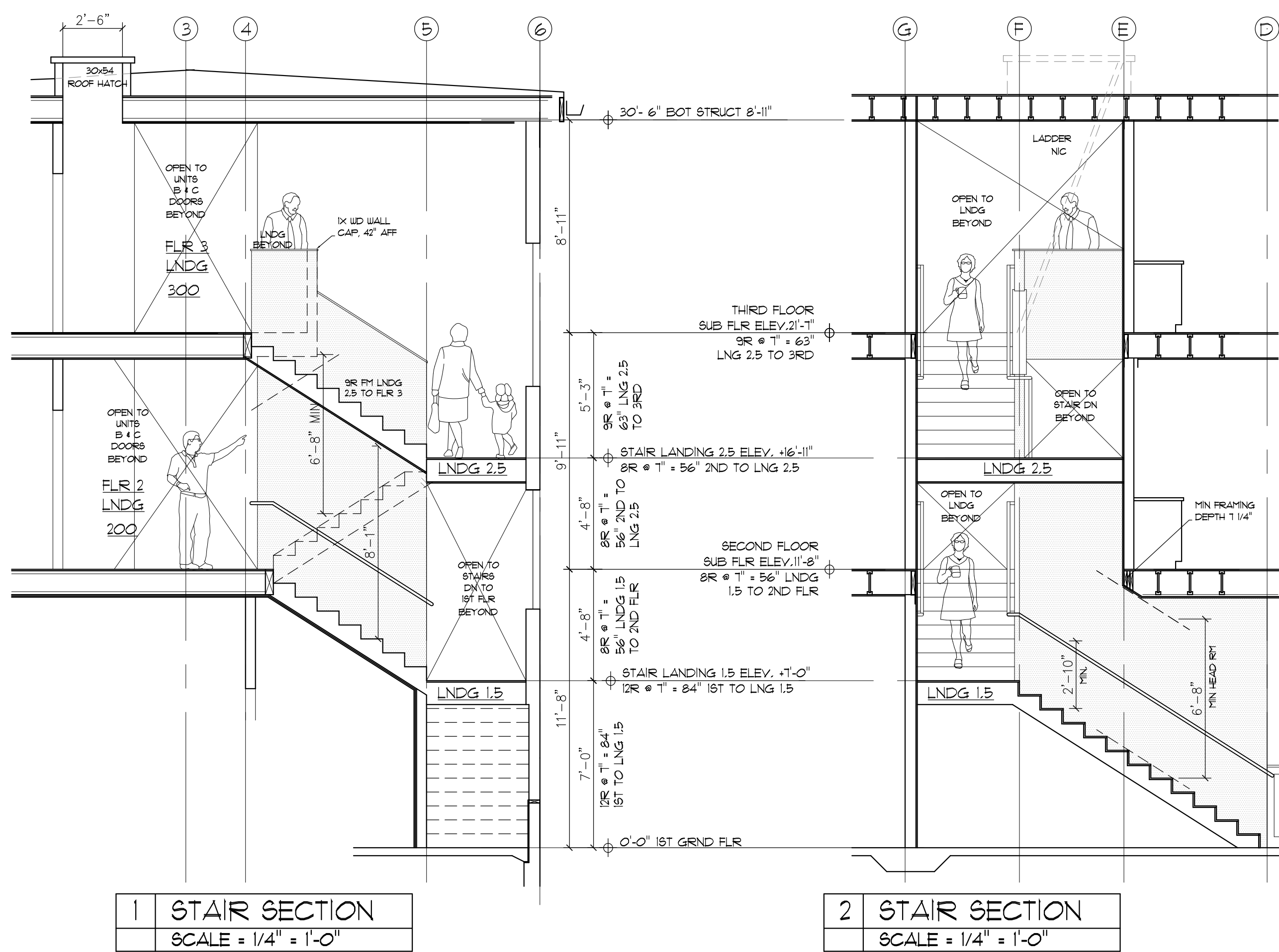


502 DEERING CENTER

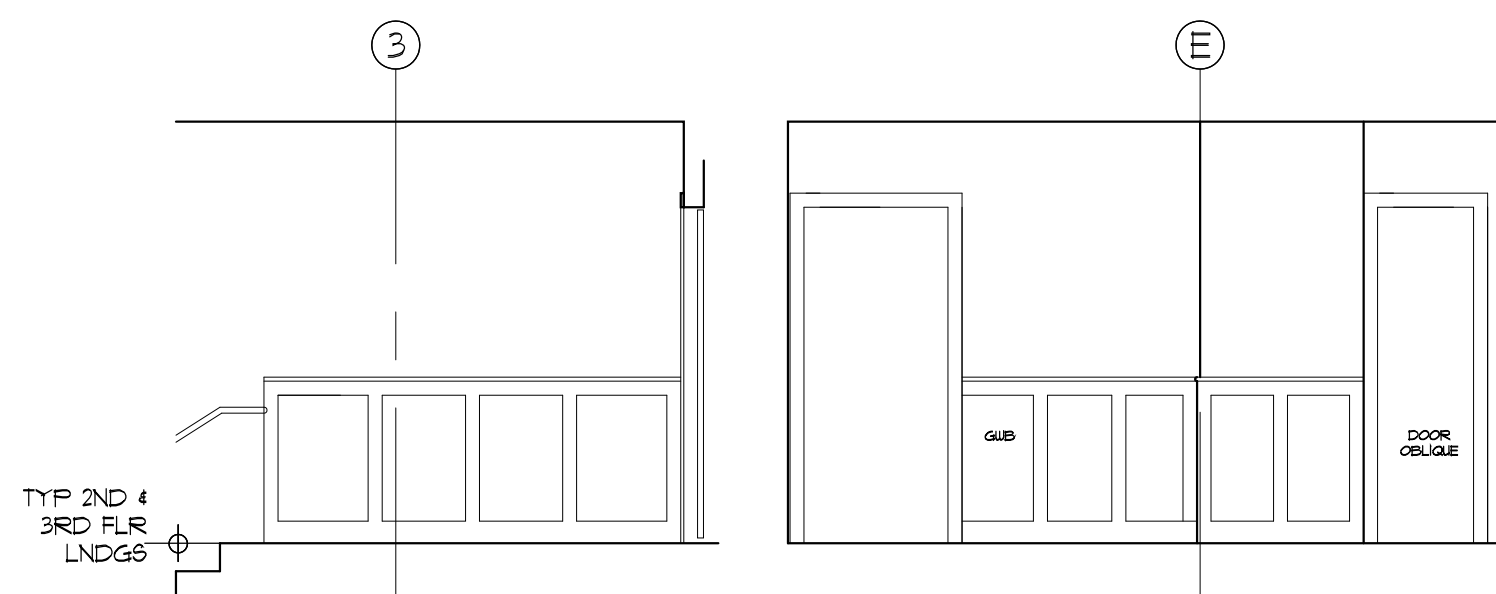
NEW MIXED USE

502 STEVENS AVE, PORTLAND ME

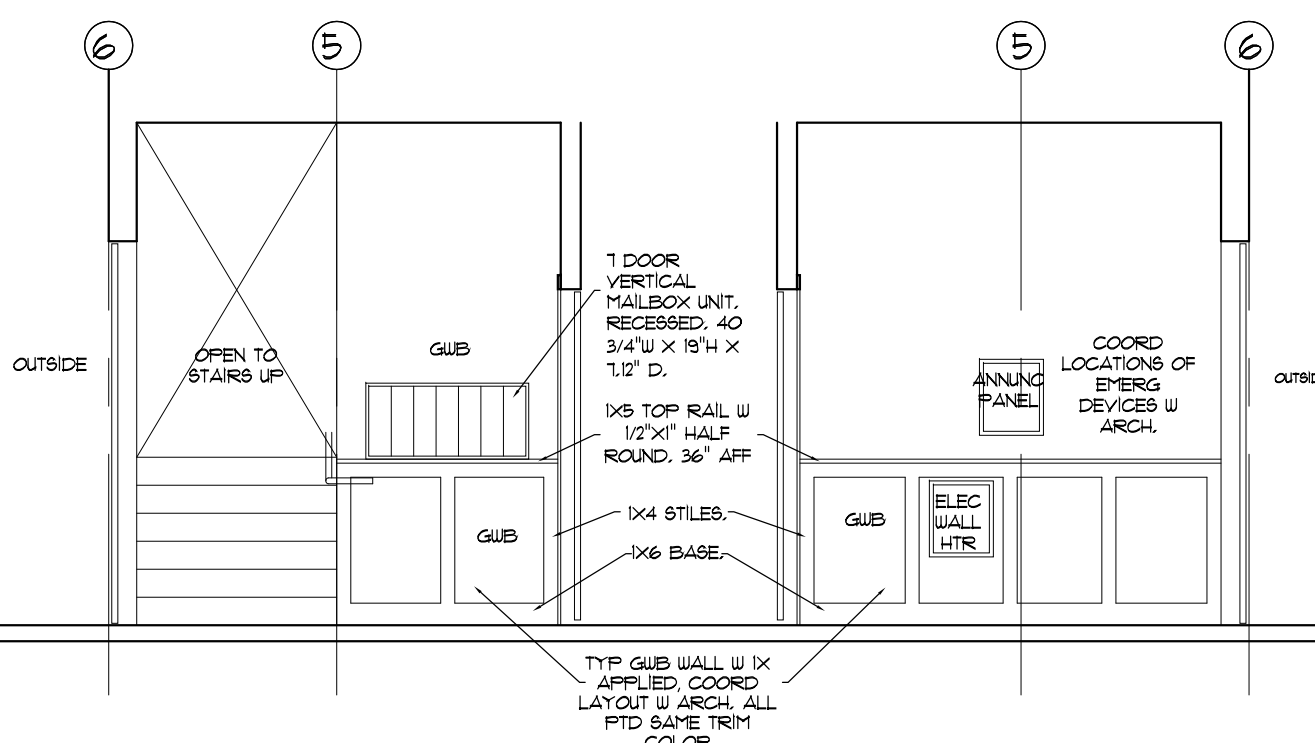


1 STAIR SECTION
SCALE = 1/4" = 1'-0"

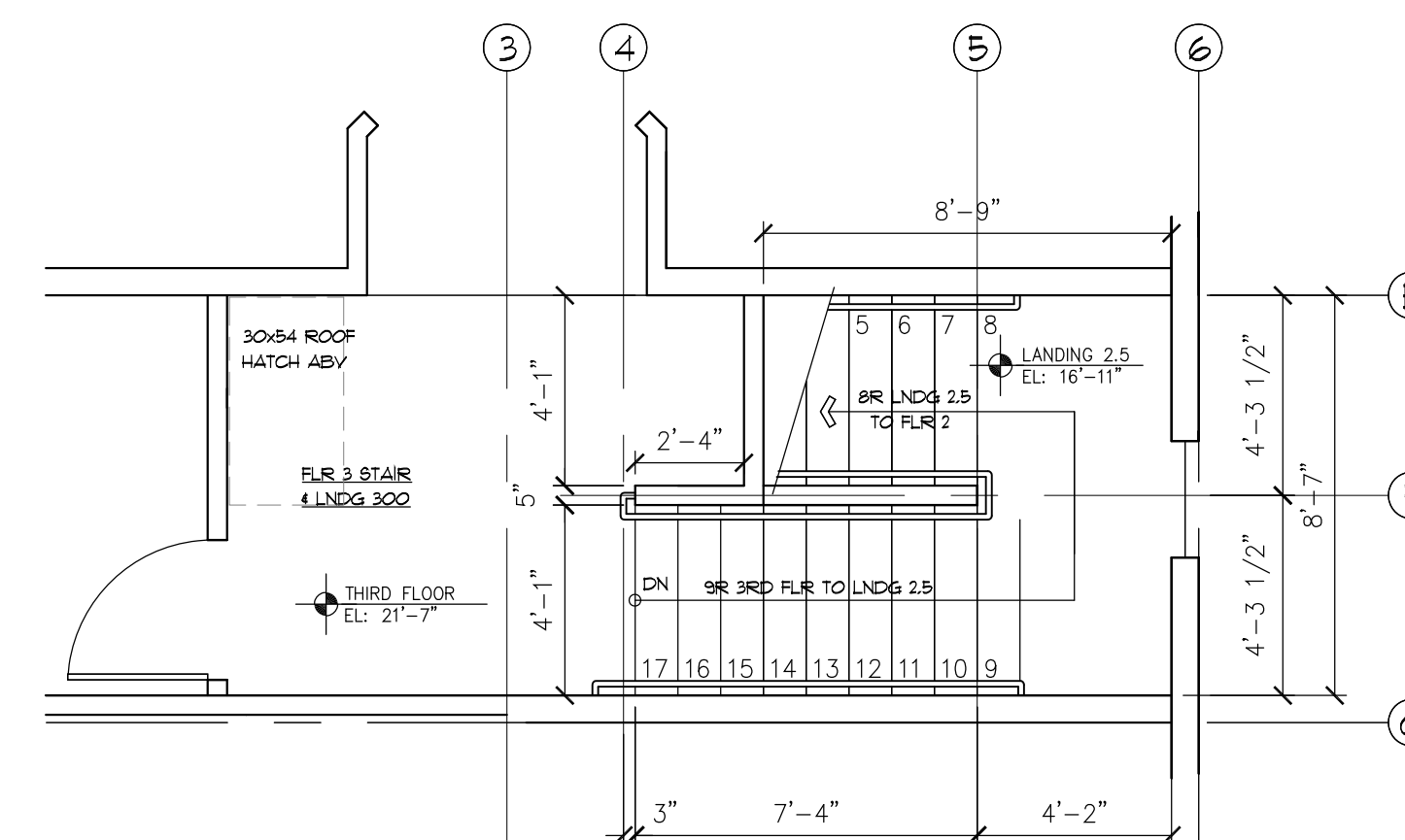
2 STAIR SECTION
SCALE = 1/4" = 1'-0"



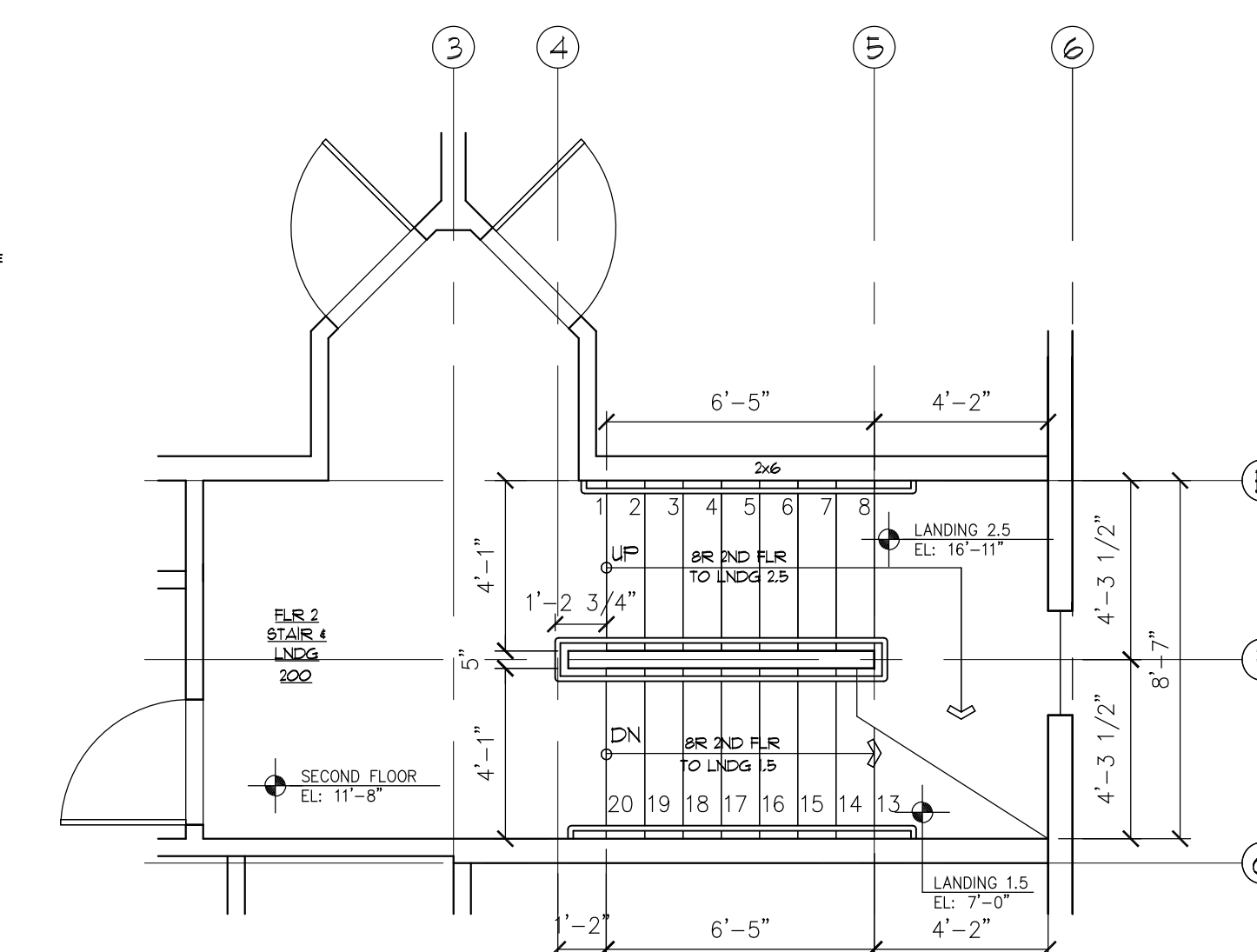
7 TYP FLR LANDING INTER ELEV
SCALE = 1/4" = 1'-0"



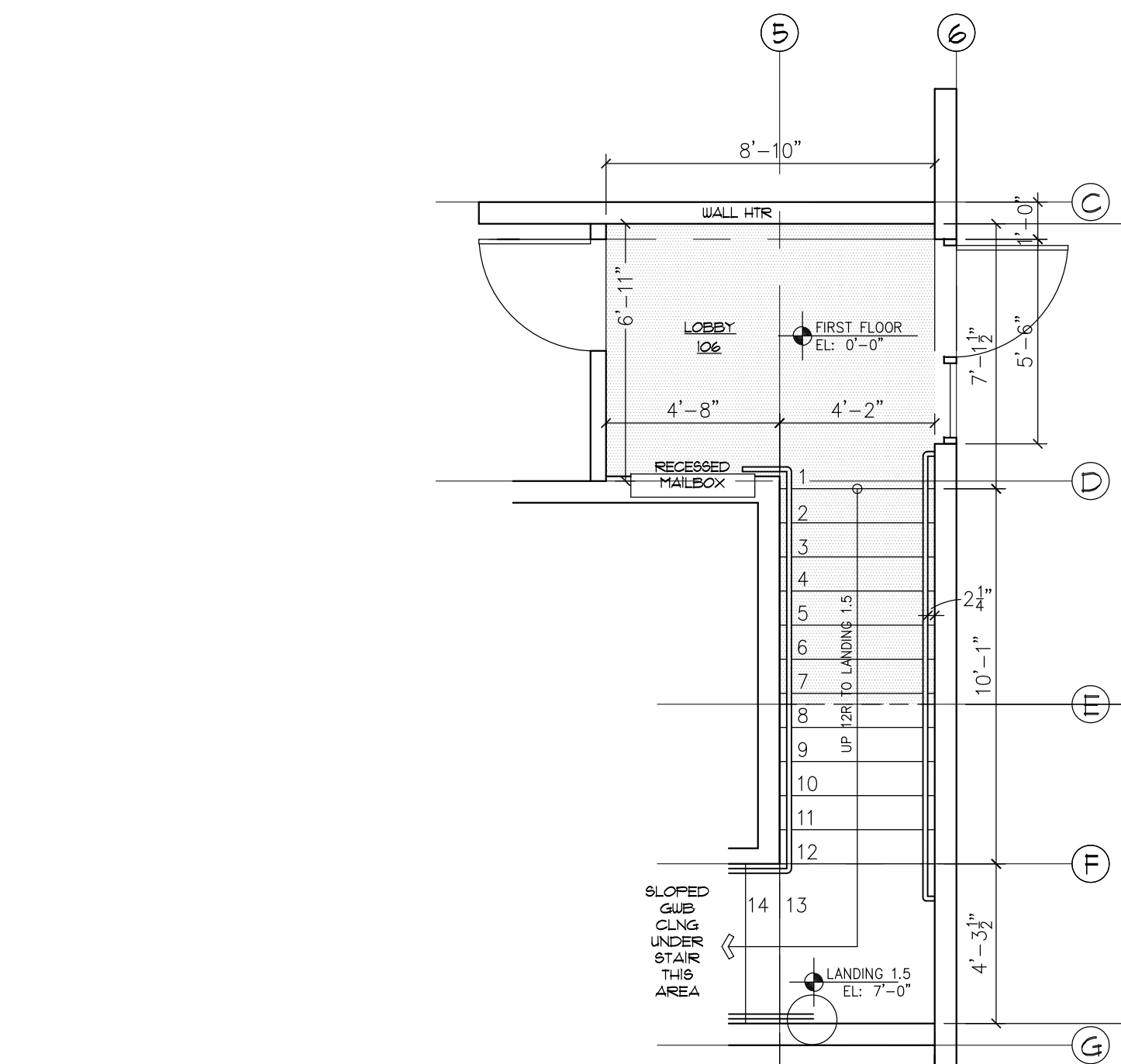
6 LOBBY 106 INTER ELEVATIONS
SCALE = 1/4" = 1'-0"



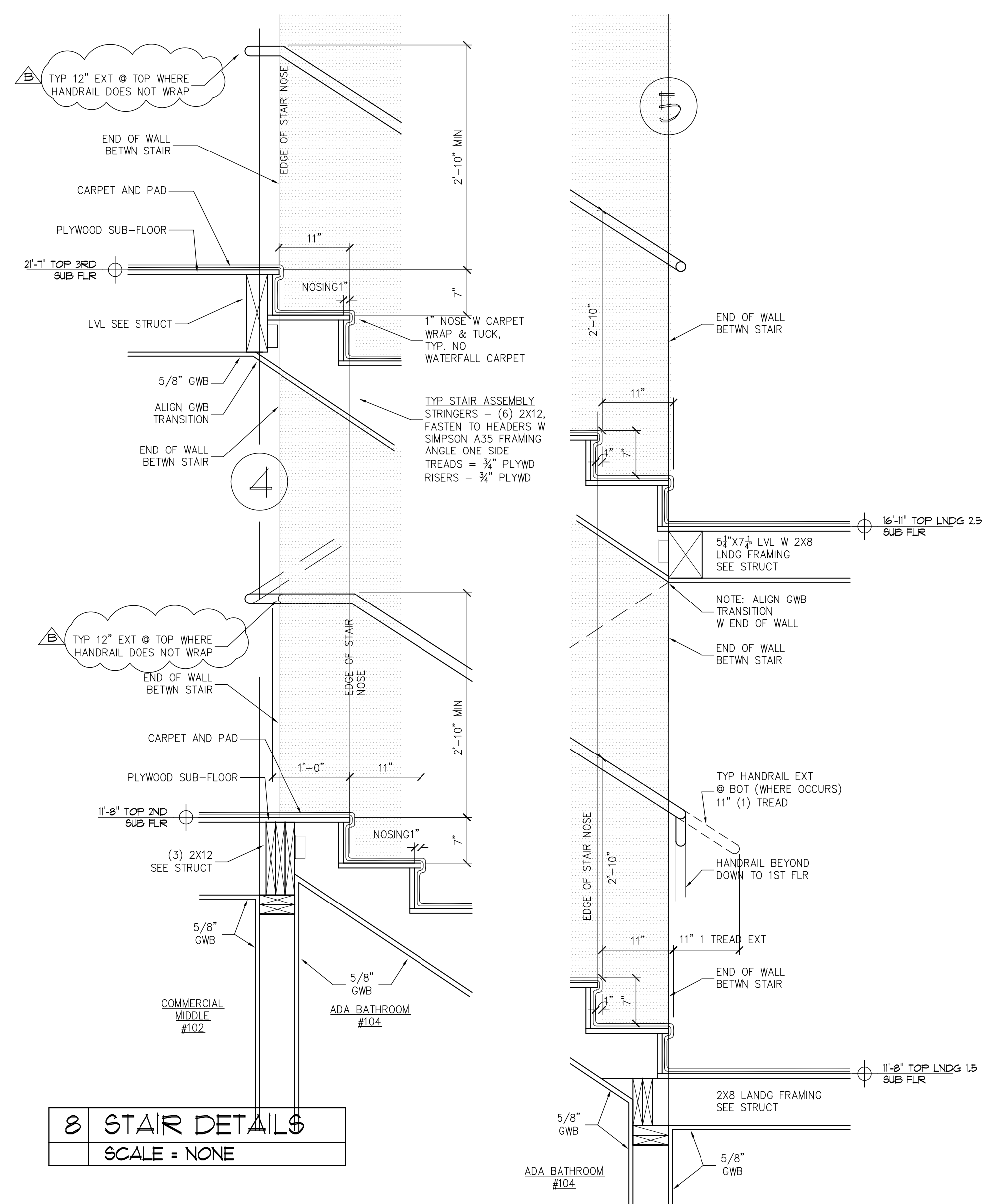
5 THIRD FLOOR STAIR PLAN
SCALE = 1/4" = 1'-0"



4 SECOND FLOOR STAIR PLAN
SCALE = 1/4" = 1'-0"



3 FIRST FLOOR STAIR PLAN
SCALE = 1/4" = 1'-0"



8 STAIR DETAILS
SCALE = NONE

TITLE:

STAIRS & LANDINGS

REV	DATE	ISSUE
D		
C	07/10 2017	PLAN REVIEW REVISIONS
B	08/28 2017	PLAN REVIEW REVISIONS
A	06/19 2017	CONSTRUCTION

DRAWING NO:

A5.1