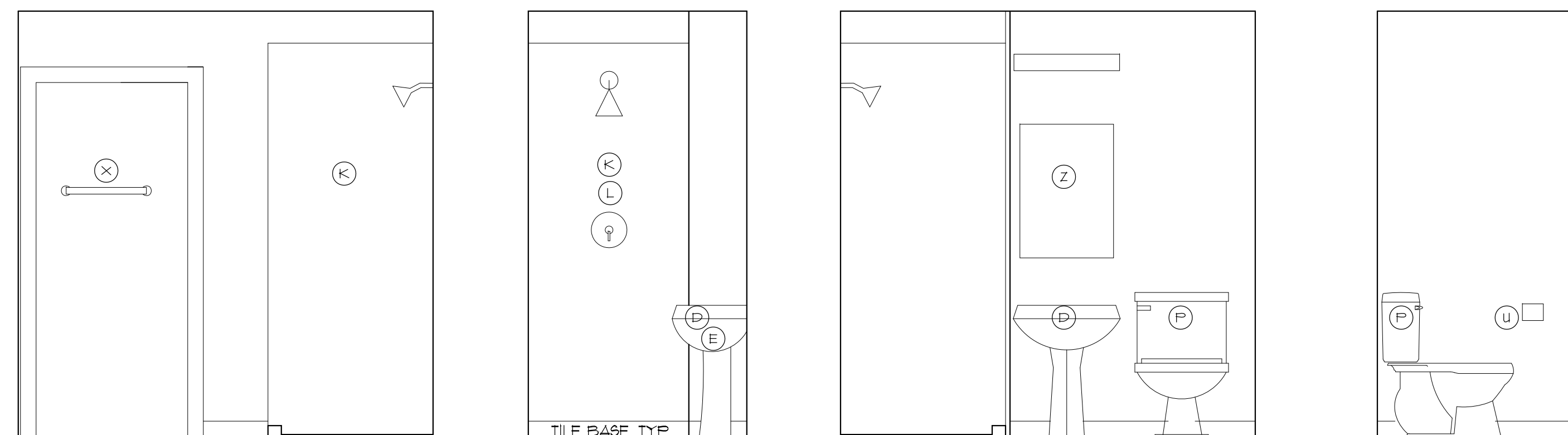
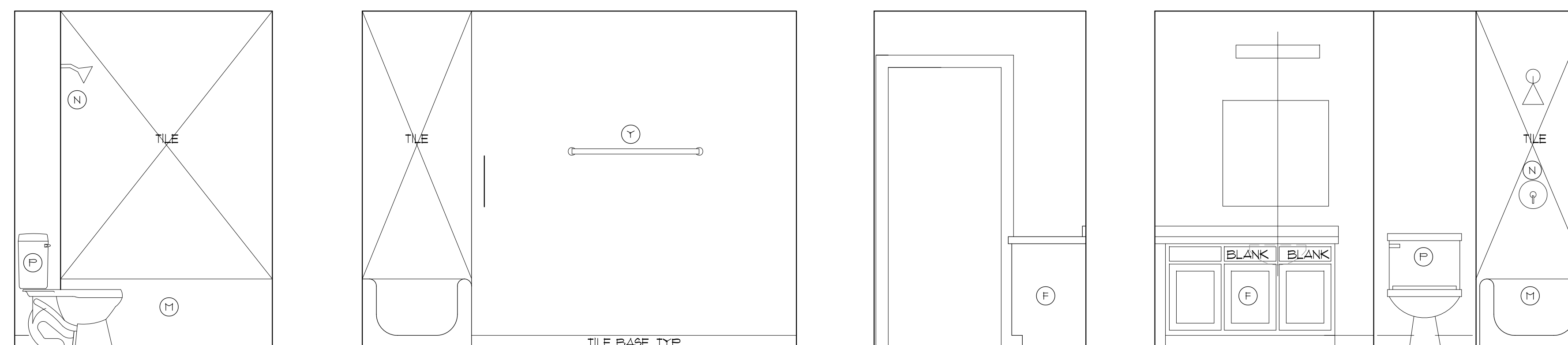


1 ENLARGED BATH PLAN 209A/309A
SCALE = 1/2" = 1'-0"

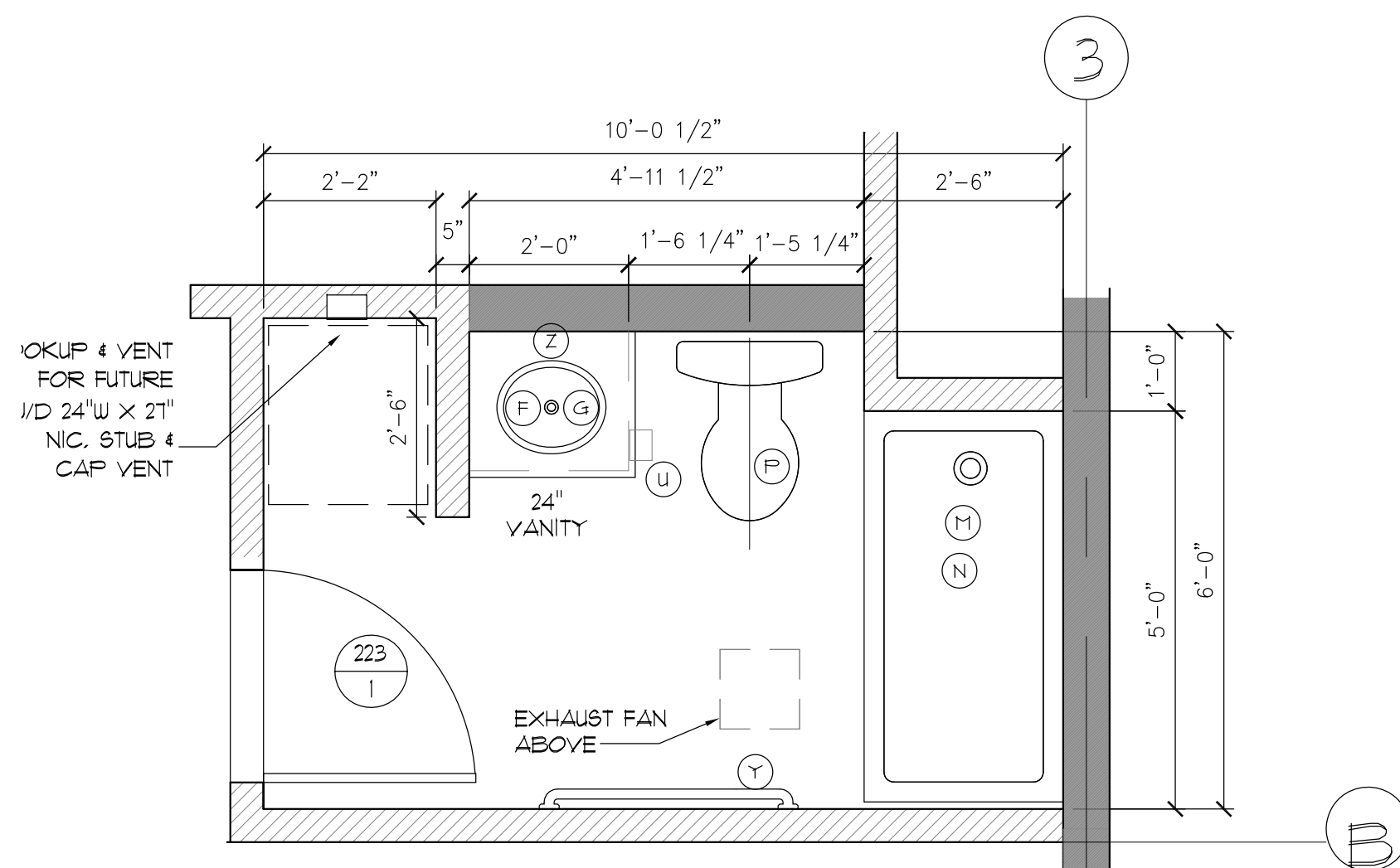
1A ENLARGED BATH PLAN 208A/308A
SCALE = 1/2" = 1'-0"



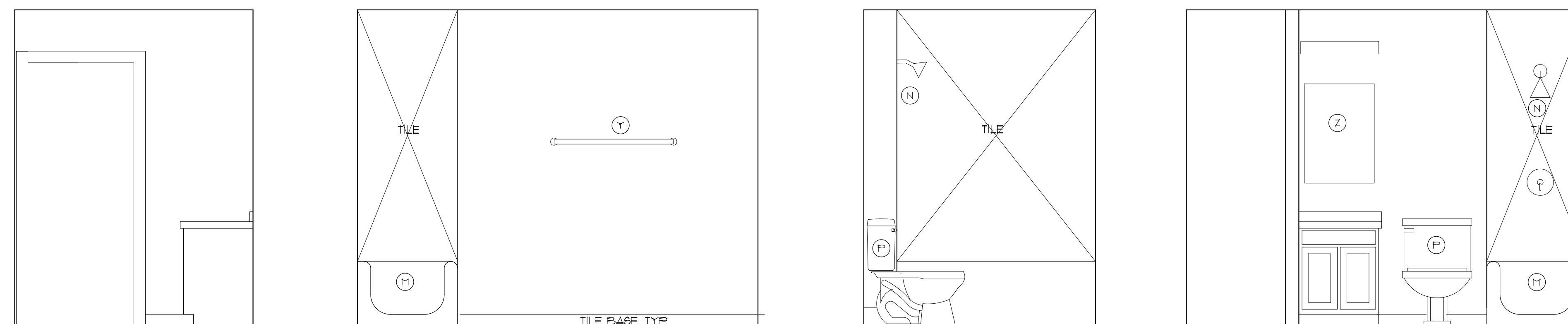
2 BATH ELEVATIONS 209A/309A
SCALE = 1/2" = 1'-0"



4 BATH ELEVATIONS 208A/308A
SCALE = 1/2" = 1'-0"



5 ENLARGED BATH PLAN 223B & 323B (233C & 333C MIRRORED)
SCALE = 1/2" = 1'-0"



6 ENLARGED BATH PLAN 223B & 323B (233C & 333C MIRRORED)
SCALE = 1/2" = 1'-0"

502 DEERING CENTER

NEW MIXED USE

502 STEVENS AVE, PORTLAND ME

TITLE:
ENLARGED BATHROOMS

REV	DATE	ISSUE
D		
C	07/10 2017	PLAN REVIEW REVISIONS
B	07/16 2017	CONSTRUCTION
A	06/19 2017	CONSTRUCTION

DRAWING NO:

A4.1