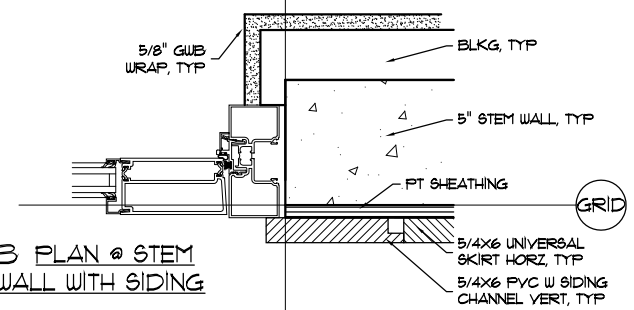
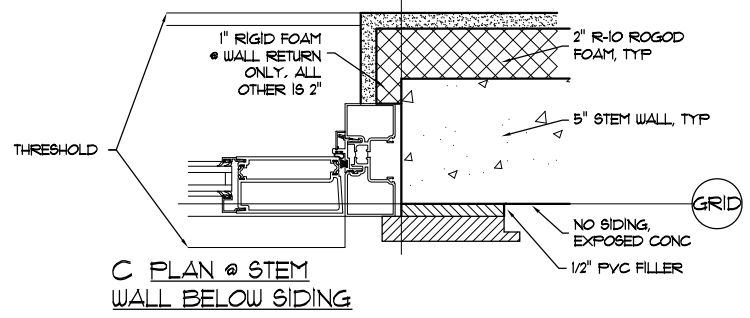


A PLAN @ BY STEM WALL WITH SIDING



B PLAN @ STEM WALL WITH SIDING



C PLAN @ STEM WALL BELOW SIDING

A SK-4	RESIDENTIAL ENTRY & TYP STEM WALL DTL SCALE: NONE
1/8/17	502 DEERING CENTER LACHMAN ARCHITECTS & PLANNERS