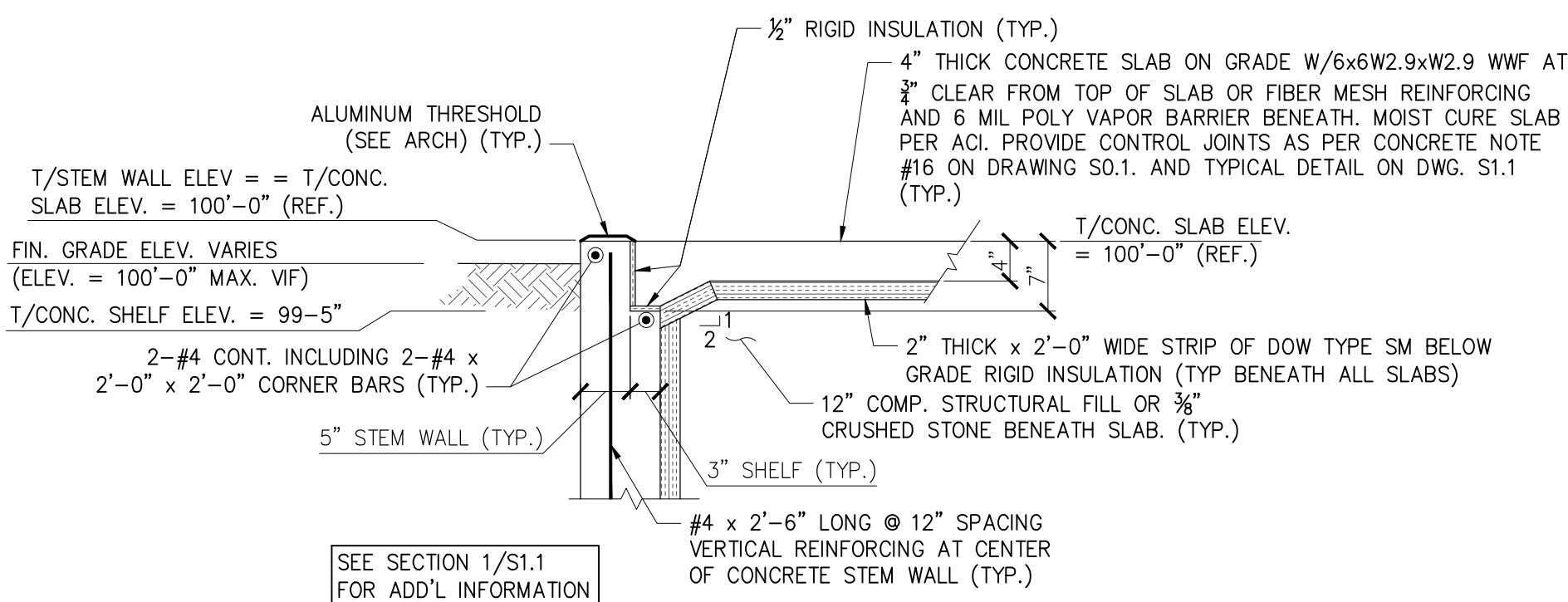
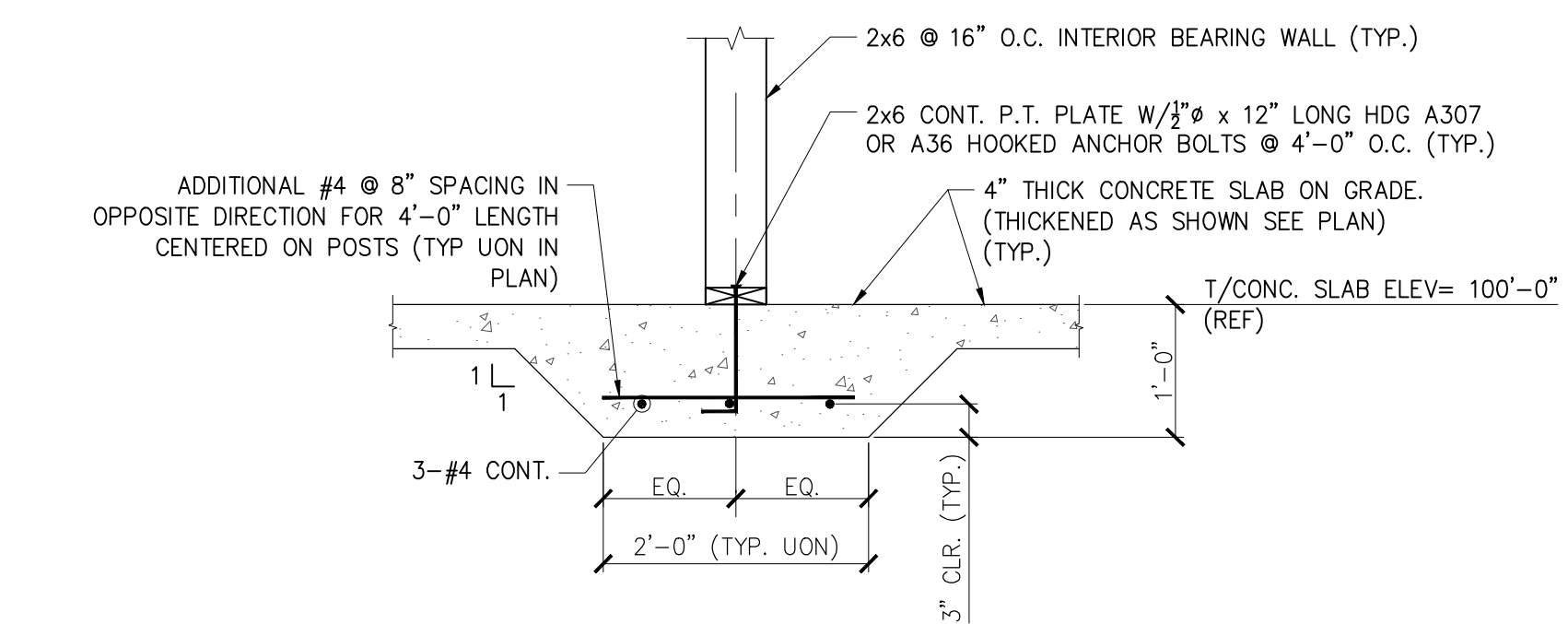


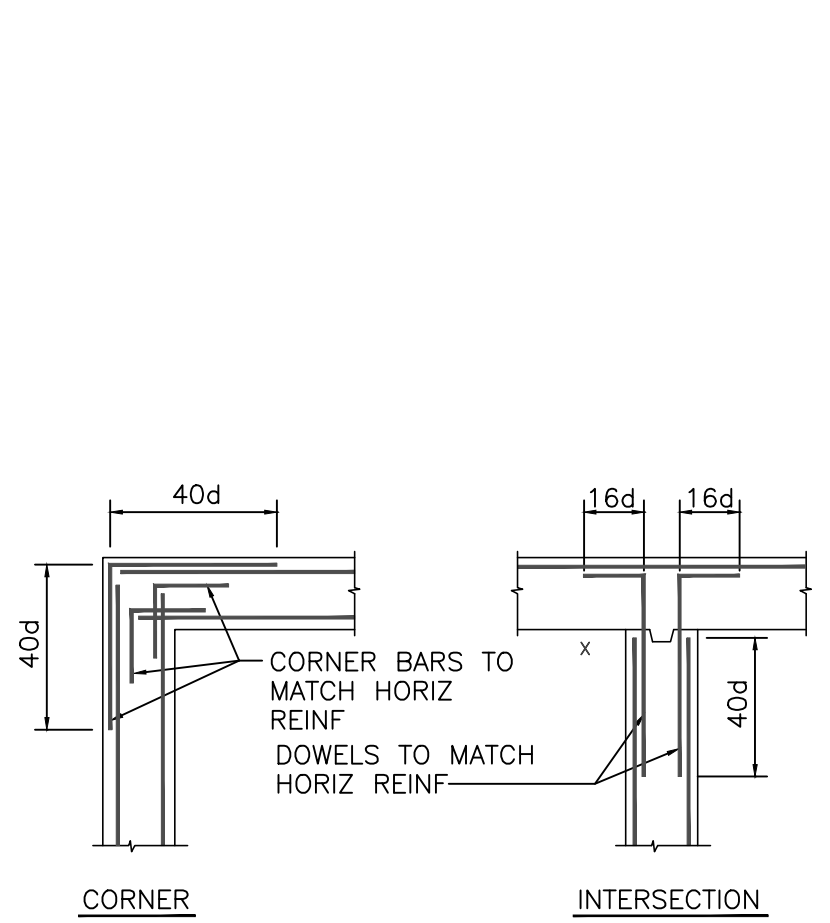
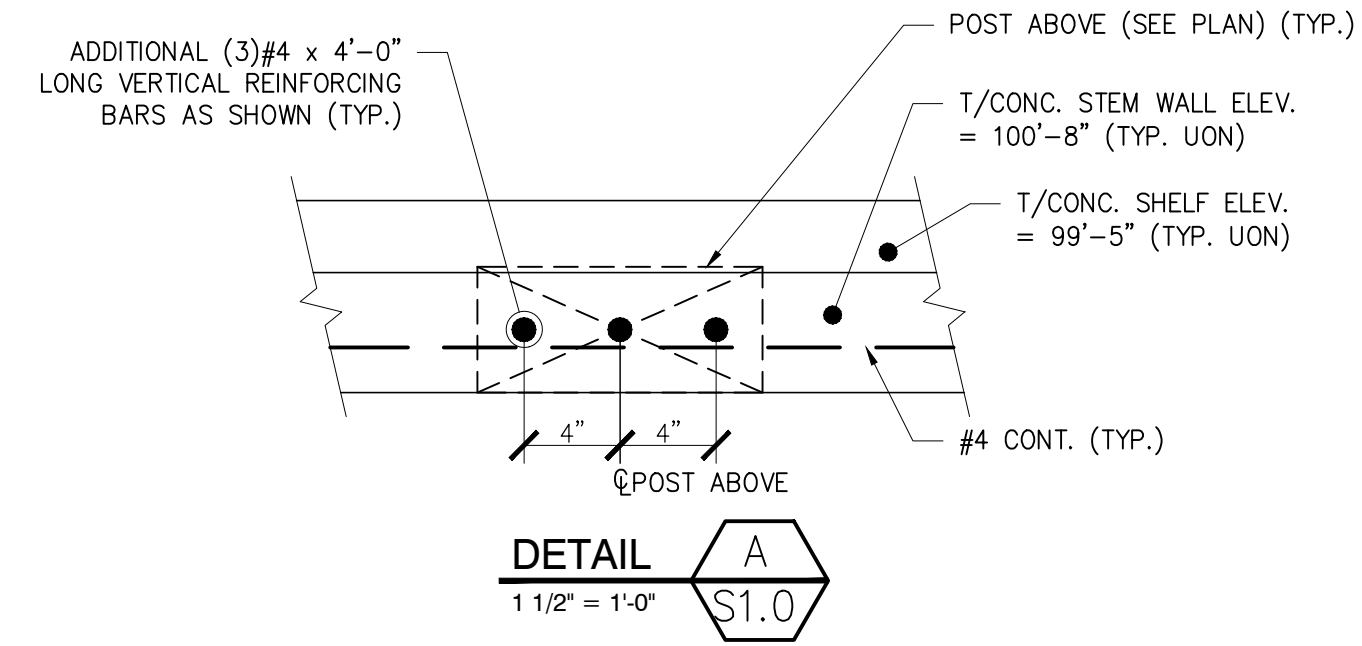
NOTE: IF FOUNDATION OR PORTION OF THE FOUNDATION IS TO BE SUPPORTED ON BEDROCK, G.C. SHALL CONSULT WITH GEOTECHNICAL AND STRUCTURAL ENGINEER OF RECORD FOR POTENTIAL MODIFICATIONS WHICH MAY OR MAY NOT INCLUDE (TO BE DESIGNED) A LAYER OF 1'-0" THICK x 4'-0" WIDE CRUSHED STONE WRAPPED IN FILTER FABRIC BENEATH THE FOOTING (TBD.) AND ADDITIONAL REINFORCING IN THE FOUNDATION WALL AND/OR FOOTING (TBD.).



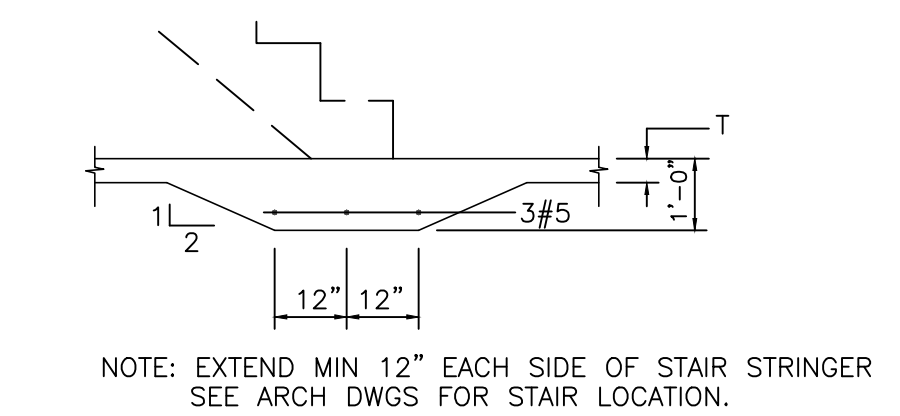
SECTION 2 S1.0
3/4" = 1'-0"



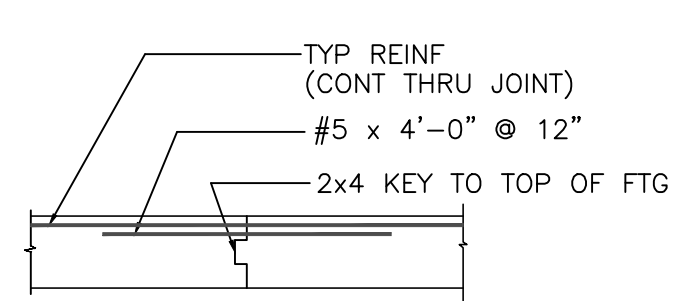
SECTION 3 S1.0
3/4" = 1'-0"



TYP. SLAB CORNER DETAIL @ DOOR
N.T.S.

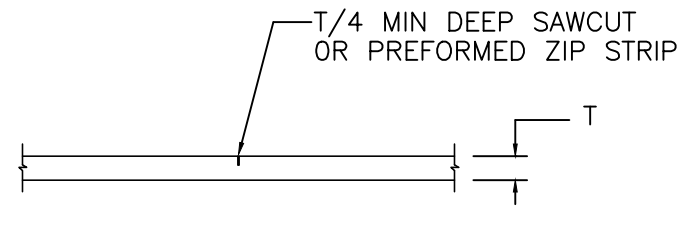


THICKENED SLAB AT STAIR DETAIL
N.T.S.

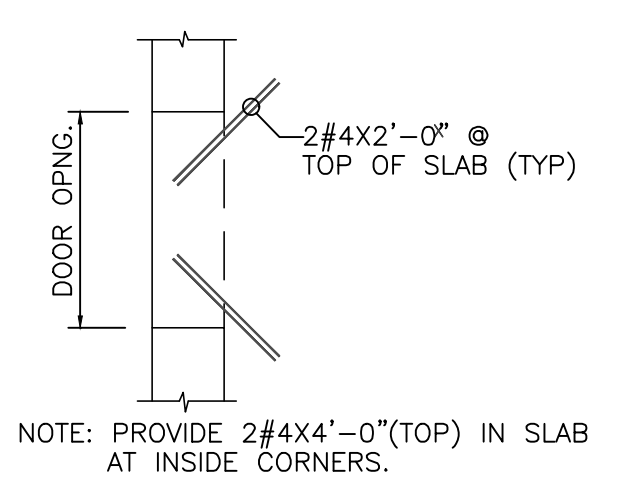
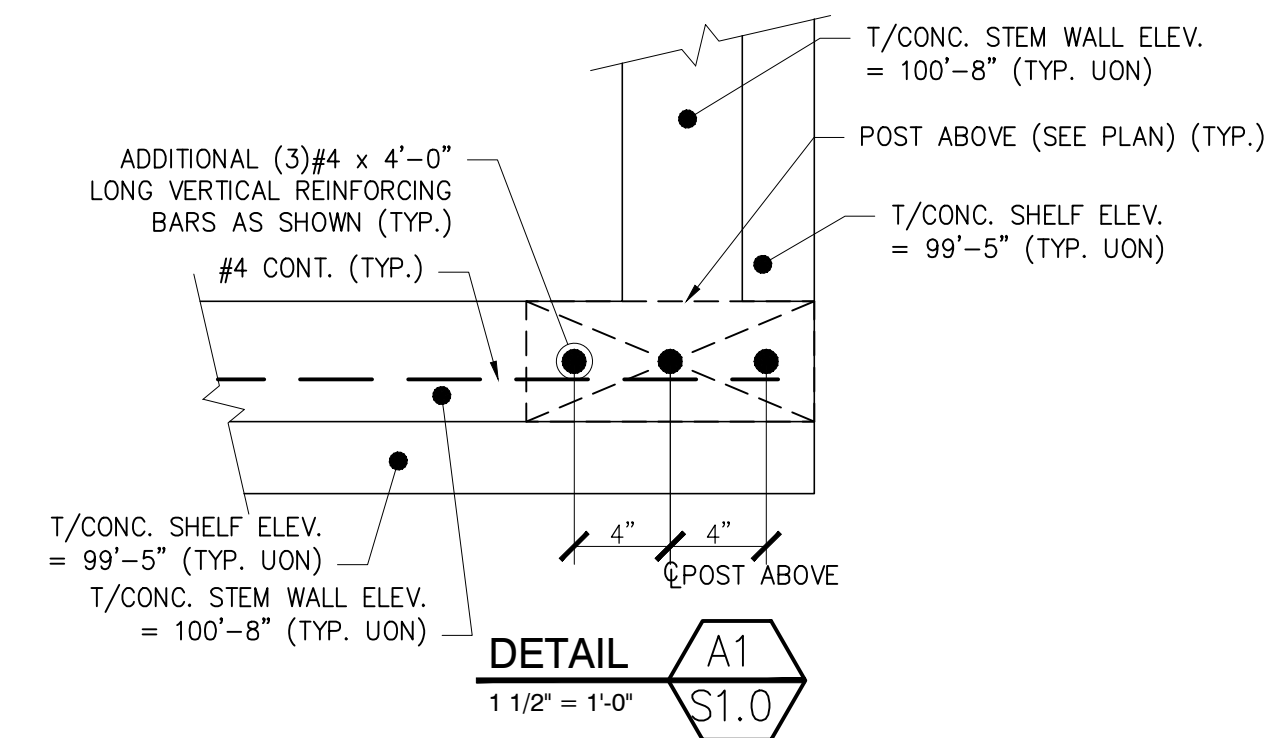


NOTES:
1. CONST JOINT DOES NOT EXTEND THRU FTG
2. DISTANCE BETWEEN CONST JOINTS IN STRAIGHT LENGTHS OF WALL NOT TO EXCEED 60'-0"

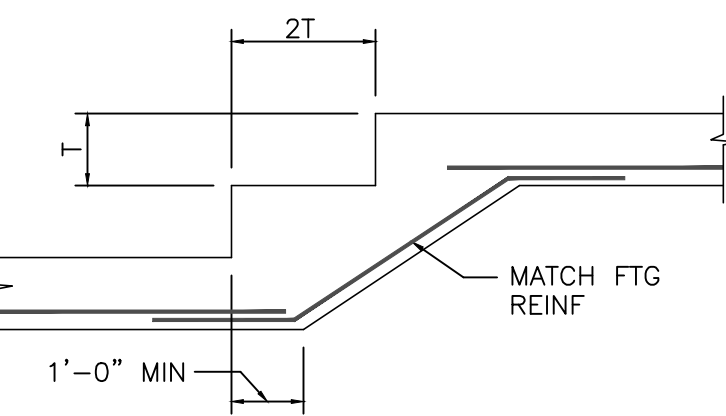
TYP. CONSTRUCTION JOINT IN WALL
N.T.S.



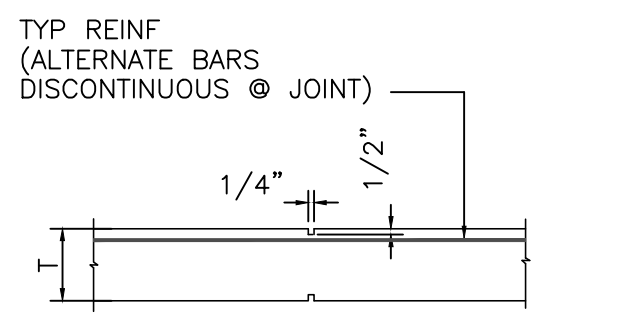
TYP. SLAB CONTROL JOINT DETAIL
N.T.S.



TYP. SLAB CORNER DETAIL @ DOOR
N.T.S.

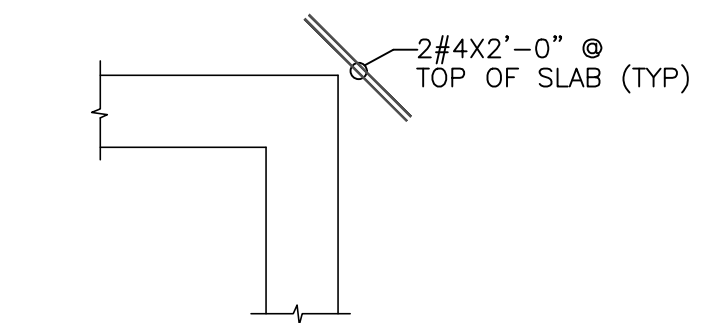


TYP. STEP FOOTING DETAIL
N.T.S.

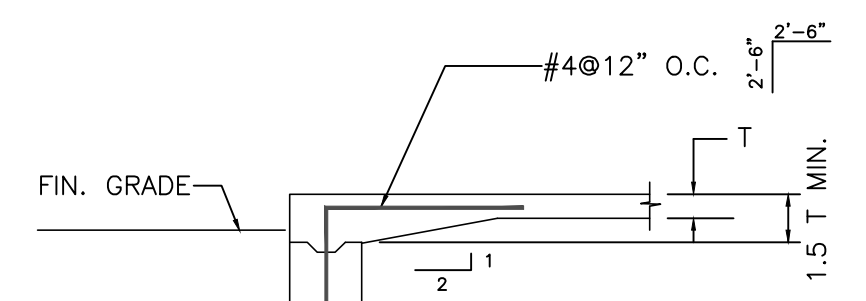


NOTES:
1. INSTALL JOINTS 15'-0" FROM ANY CORNER AND 30'-0" MAX ALONG STRAIGHT LENGTHS OF WALL (TYP).

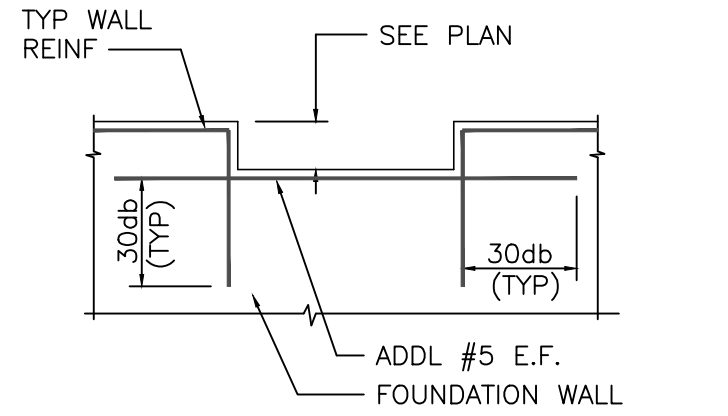
TYP. CONTROL JOINT IN WALL
N.T.S.



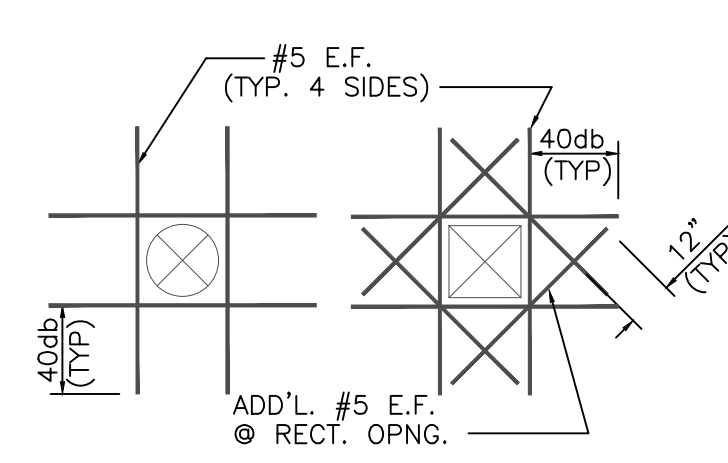
TYP. SLAB CORNER DETAIL
N.T.S.



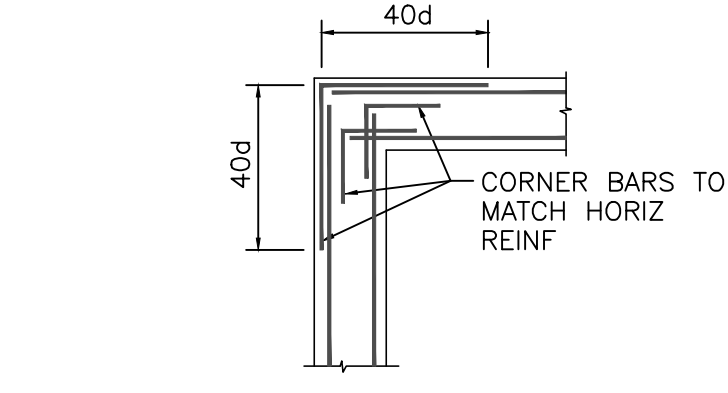
TYP. DETAIL @ DOOR OPNG.
N.T.S.



TYP. WALL DEPRESSION DETAIL
N.T.S.



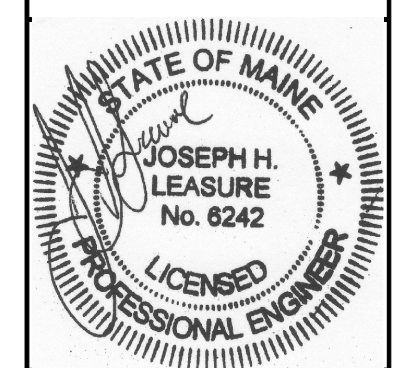
TYP. OPENING IN WALL
N.T.S.



TYP. WALL REINF DETAIL
N.T.S.

FOR PERMITTING ONLY
PRELIMINARY
NOT FOR CONSTRUCTION

L & L STRUCTURAL ENGINEERING SERVICES, INC.
SIX Q. STREET
SOUTH PORTLAND, MAINE 04106
PHONE: (207) 767-4830
FAX: (207) 799-5432
EMAIL: LLEASURE@LL-ENG.COM



rev.	date	description	top/d
A	01/20/17	PRICING & PERMIT ONLY	JHL
B	02/03/17	REV BLDG PLAN/OMIT BSMT	JHL
C	02/09/17	DESIGN DEVELOPMENT	JHL
D	04/11/17	PRICING & PERMIT ONLY	JHL

designed by: JHL
drawn by: RLM
checked by: JHL
scale: AS NOTED
date: 01/20/2017
plot date: 04/11/2017
project #: 2017-001

BUILDING LOCATED AT
502 DEERING CENTER
PORTLAND, MAINE
FOUNDATION SECTIONS AND DETAILS

S1.1

THESE DRAWINGS HAVE BEEN DEVELOPED BY LAL STRUCTURAL ENGINEERING SERVICES, INC. FOR THE TITLED SET ONLY. THE DRAWINGS ARE THE SOLE PROPERTY OF LAL ENGINEERING SERVICES, INC. AND THEY SHALL NOT BE USED, LENT, COPIED OR ALTERED WITHOUT THE WRITTEN CONSENT OF LAL STRUCTURAL ENGINEERING SERVICES, INC.