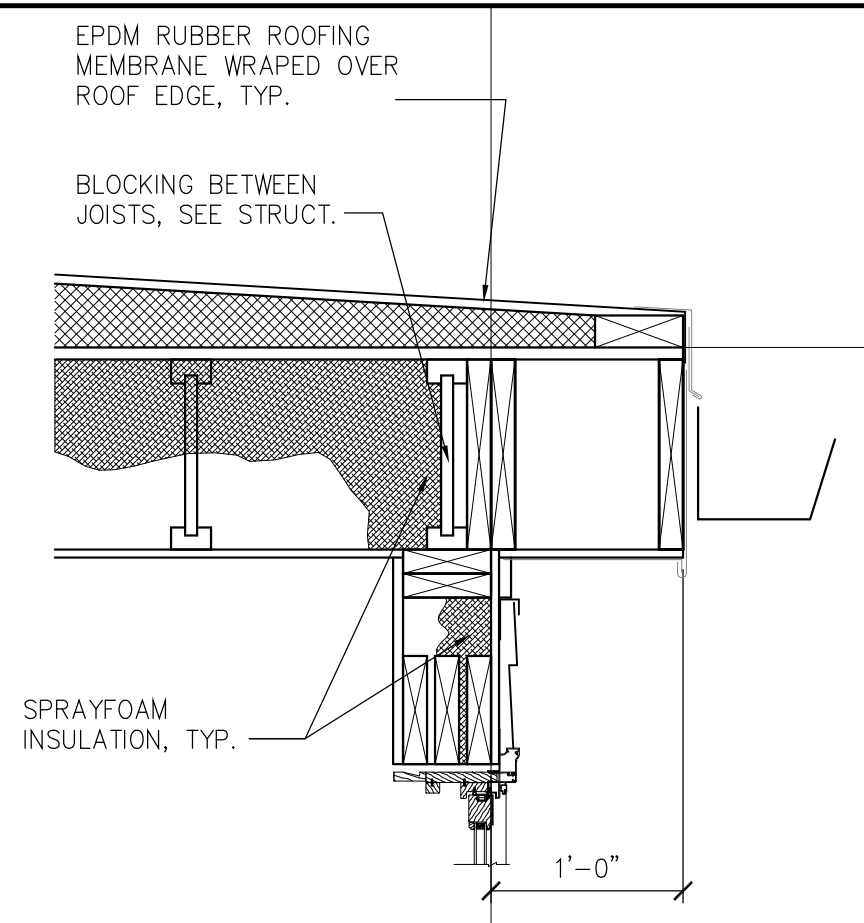
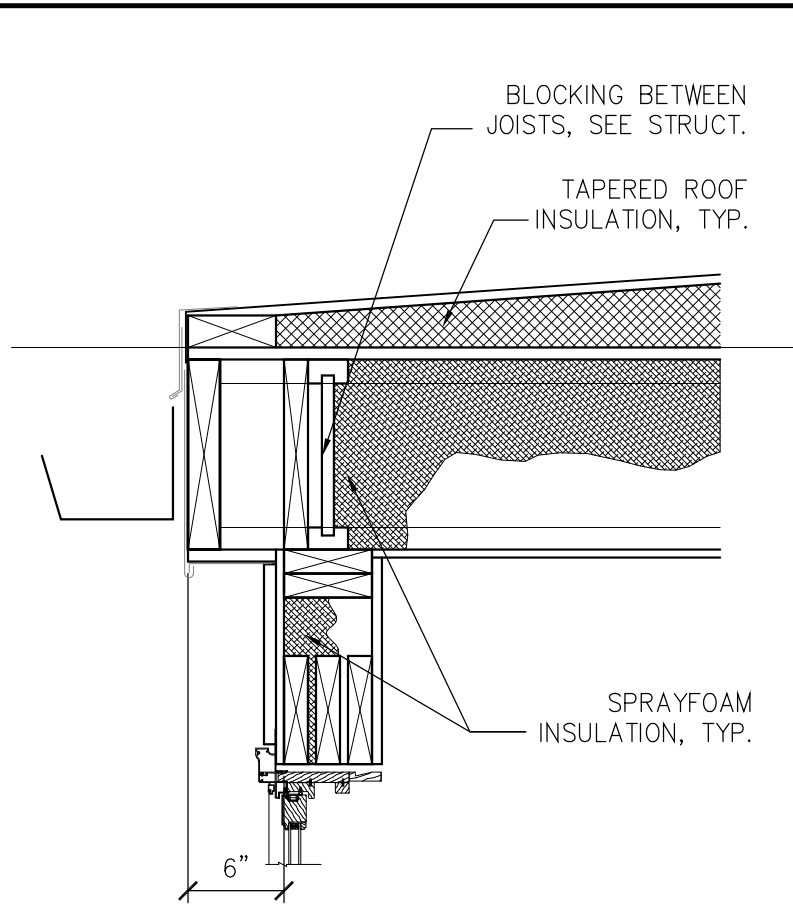


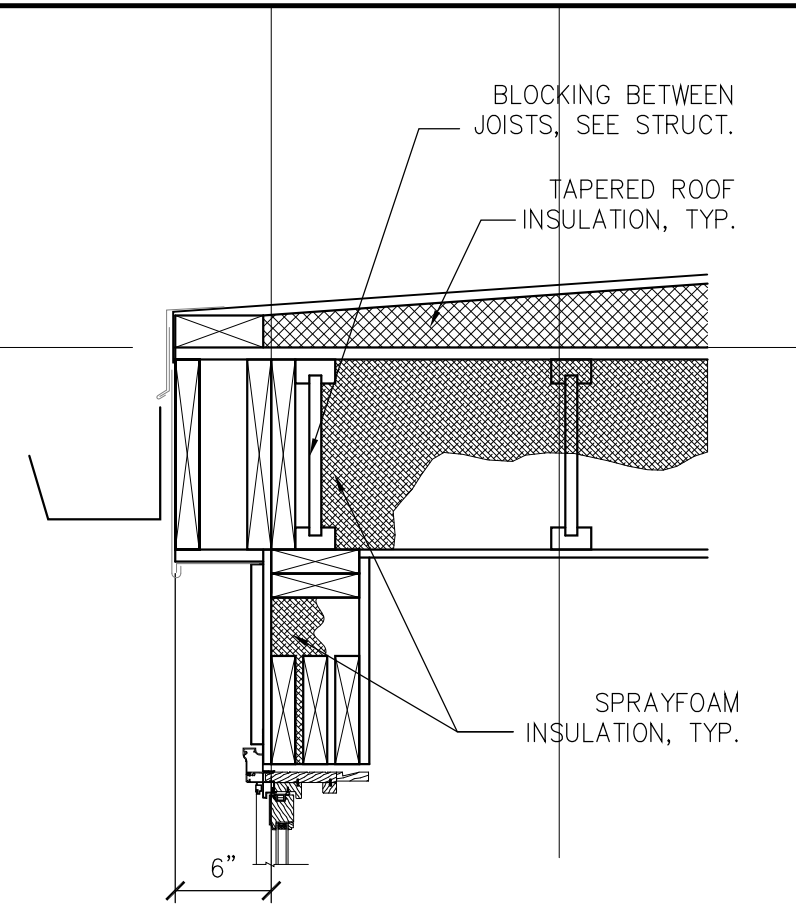
**3** TYP 12" EAVE @ NO BAY PERP JOISTS  
SCALE = 1" = 1'-0" SECTION



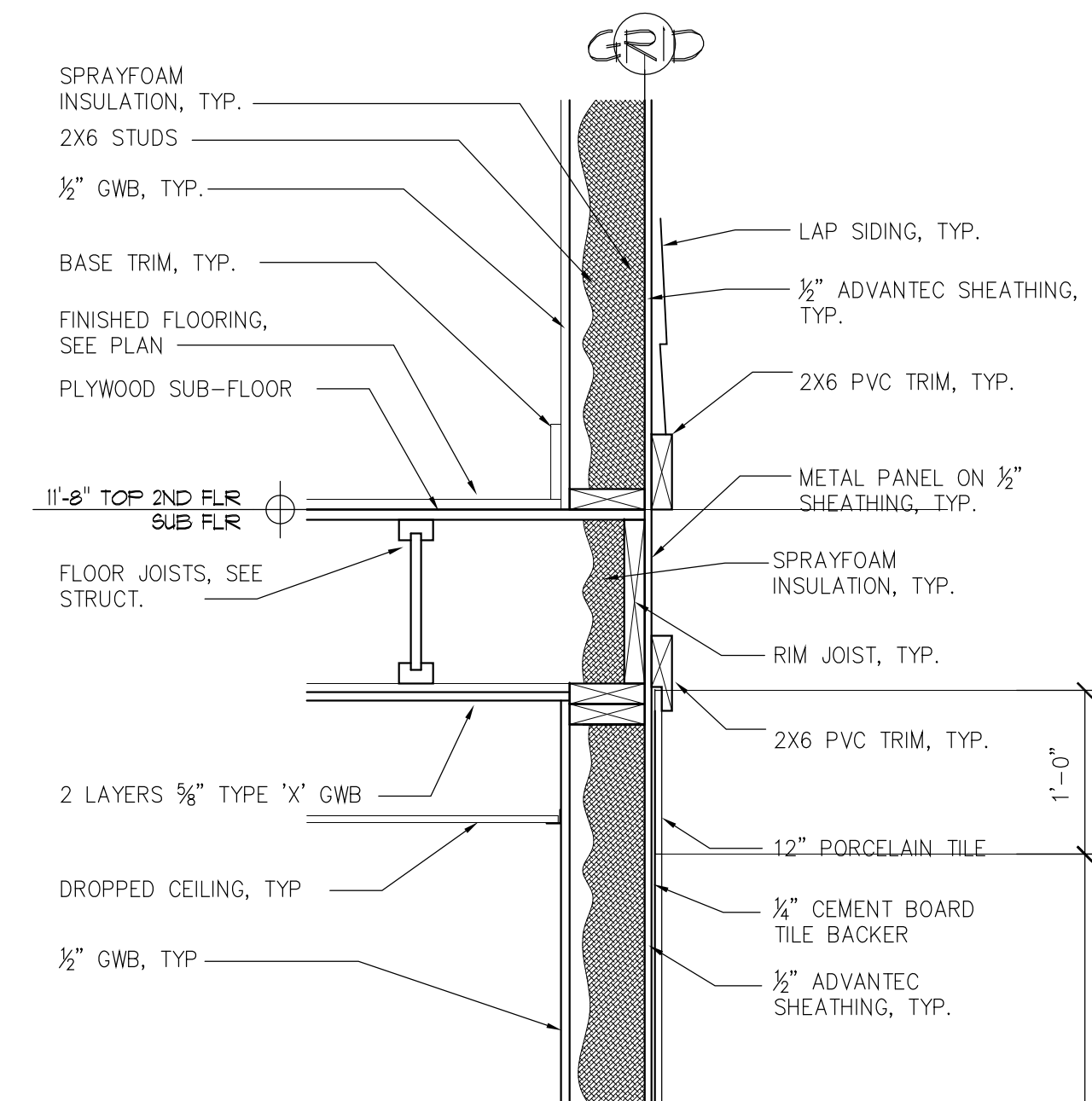
**6** TYP 12" EAVE @ NO BAY PARALLEL TO JOISTS  
SCALE = 1" = 1'-0" SECTION



**8** TYP 6" EAVE @ BAY PERP TO JOISTS  
SCALE = 1" = 1'-0" SECTION

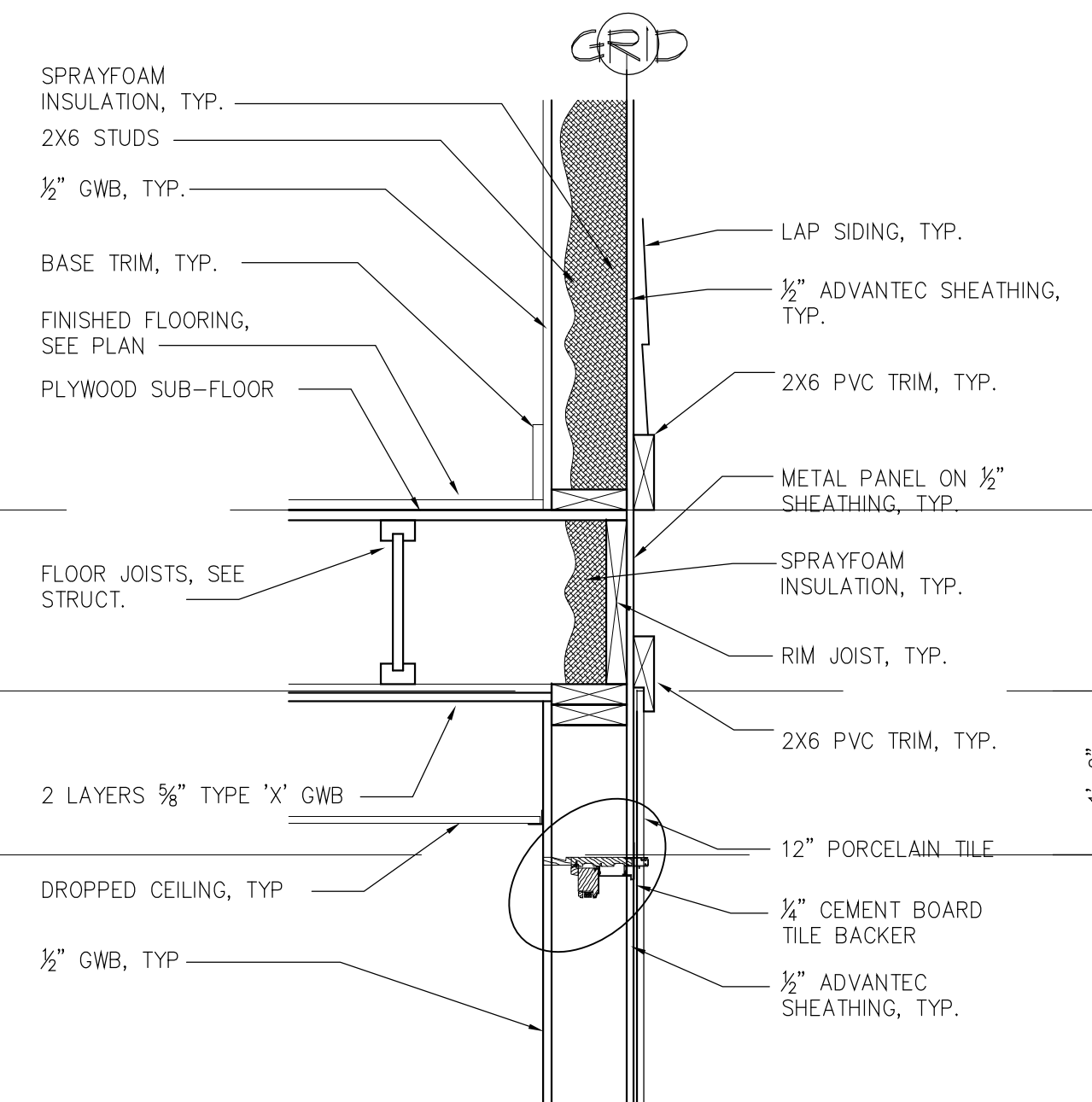


**12** TYP 6" EAVE @ BAY PARALLEL TO JOISTS  
SCALE = 1" = 1'-0" SECTION



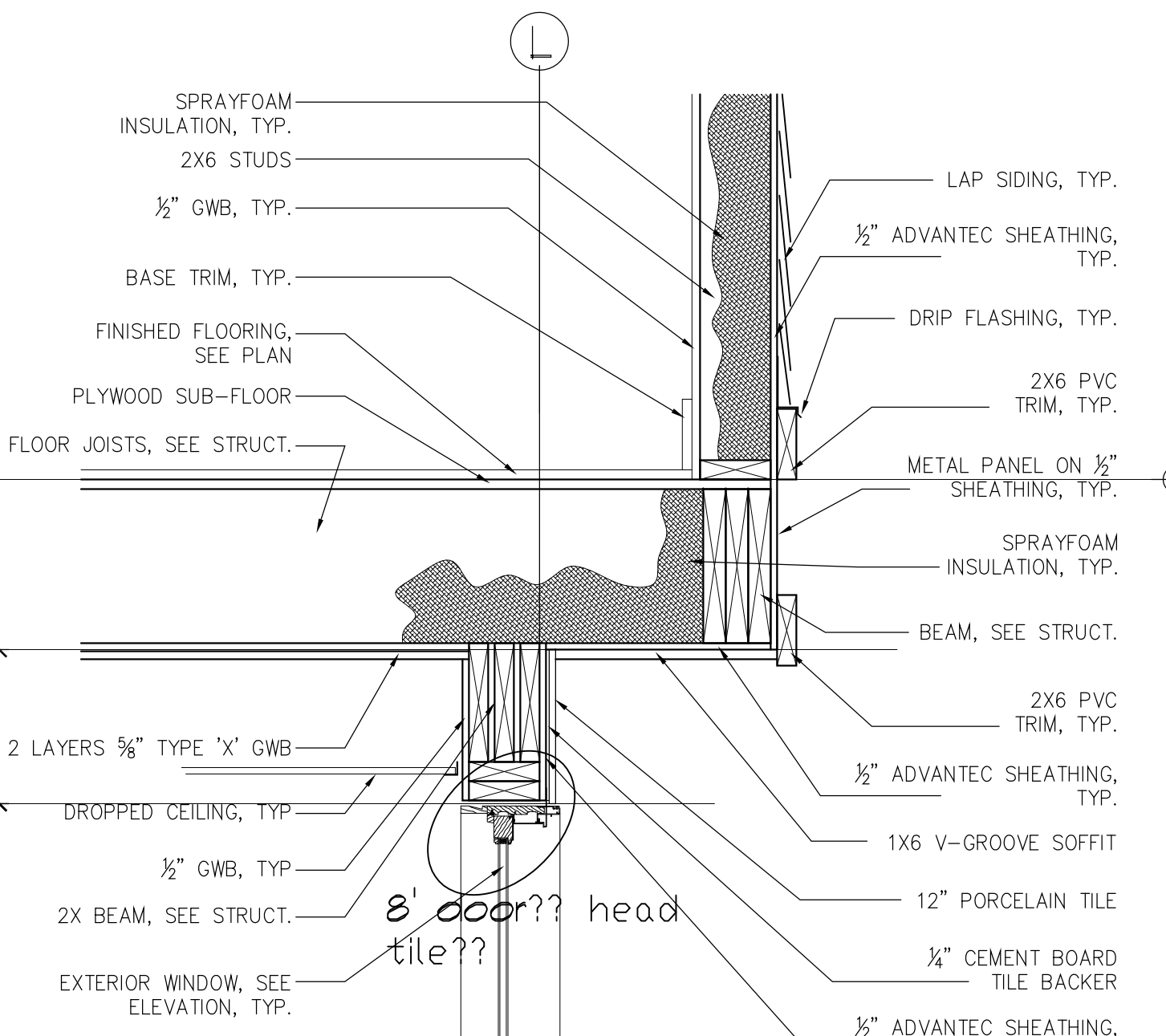
**2** TYP WALL @ NO BAY @ NO WDO @ TILE @ DATUM  
SCALE = 1" = 1'-0" SECTION

SEE X/XX FOR TYP WALL @ NO WDO @ TILE



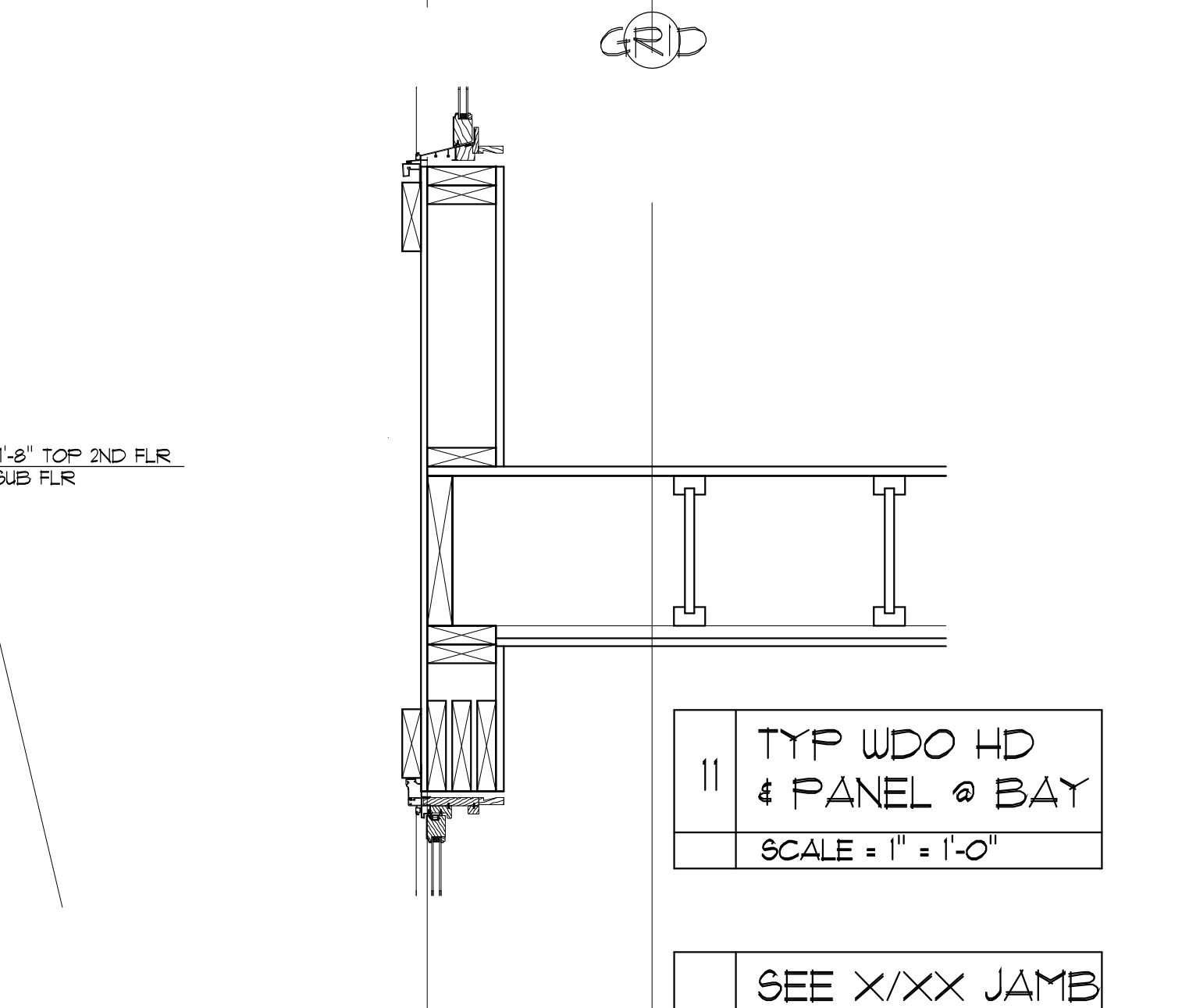
**5** TYP WDO HEAD @ NO BAY @ TILE @ DATUM  
SCALE = 1" = 1'-0" SECTION

SEE X/XX FOR TYP WDO JAMB @ TILE



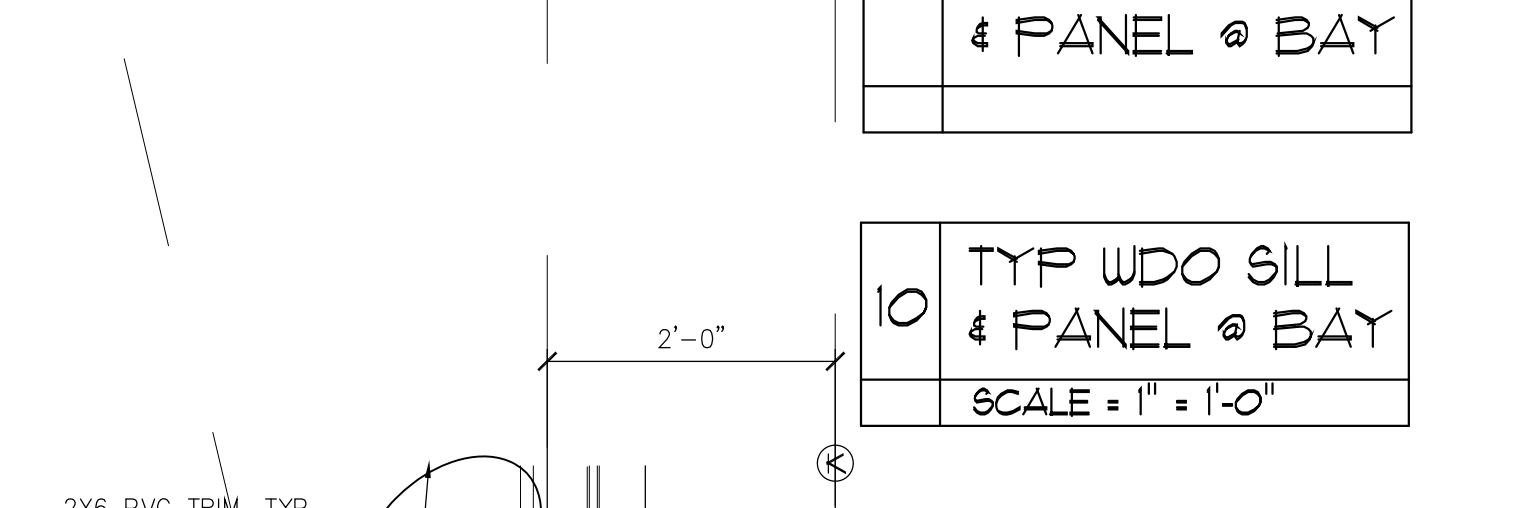
**7** DOOR HEAD @ TILE @ RECESSED ENTRY  
SCALE = 1" = 1'-0" SECTION

SEE X/XX FOR TYP DR JAMB @ RECESSED ENTRY

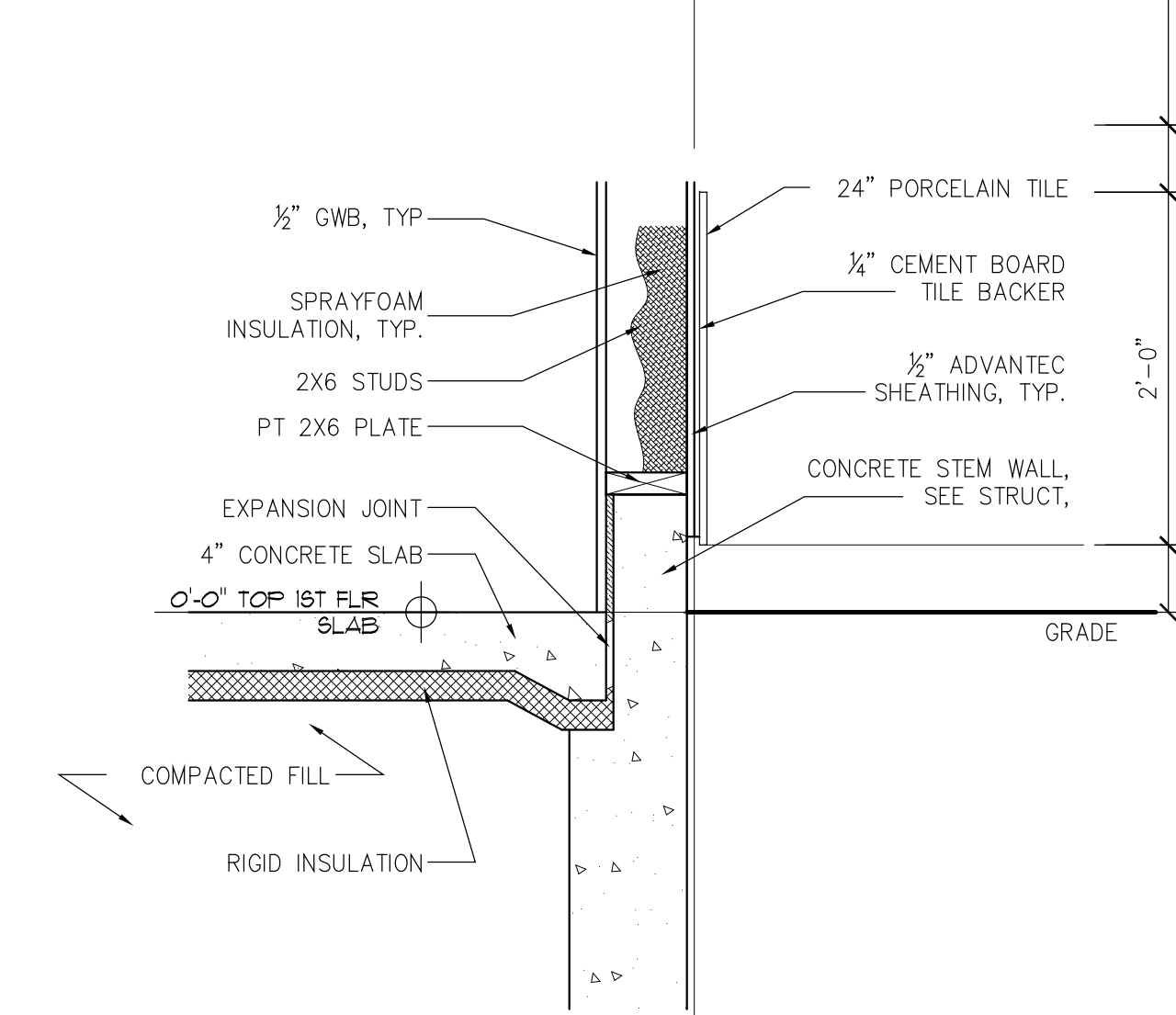


**11** TYP WDO HD & PANEL @ BAY  
SCALE = 1" = 1'-0" SECTION

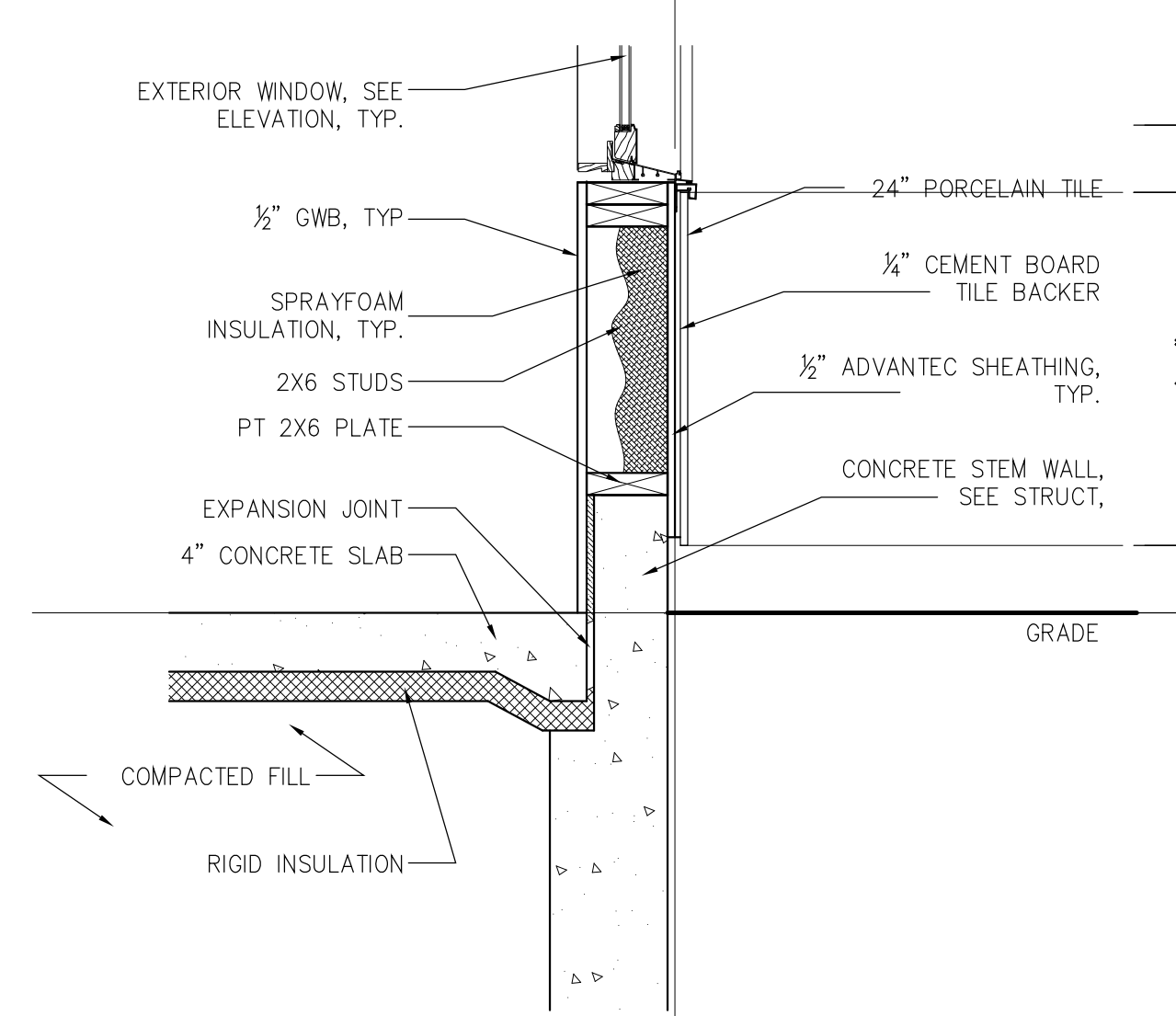
SEE X/XX JAMB & PANEL @ BAY



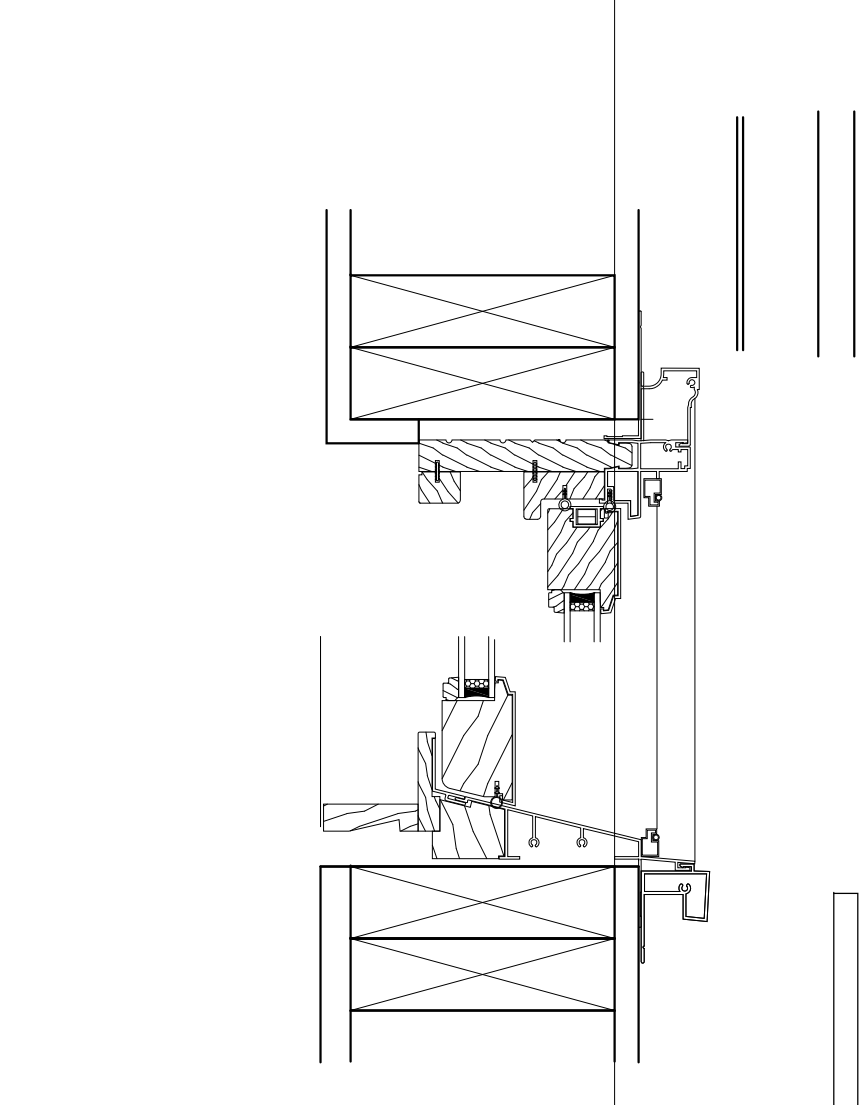
**10** TYP WDO SILL & PANEL @ BAY  
SCALE = 1" = 1'-0" SECTION



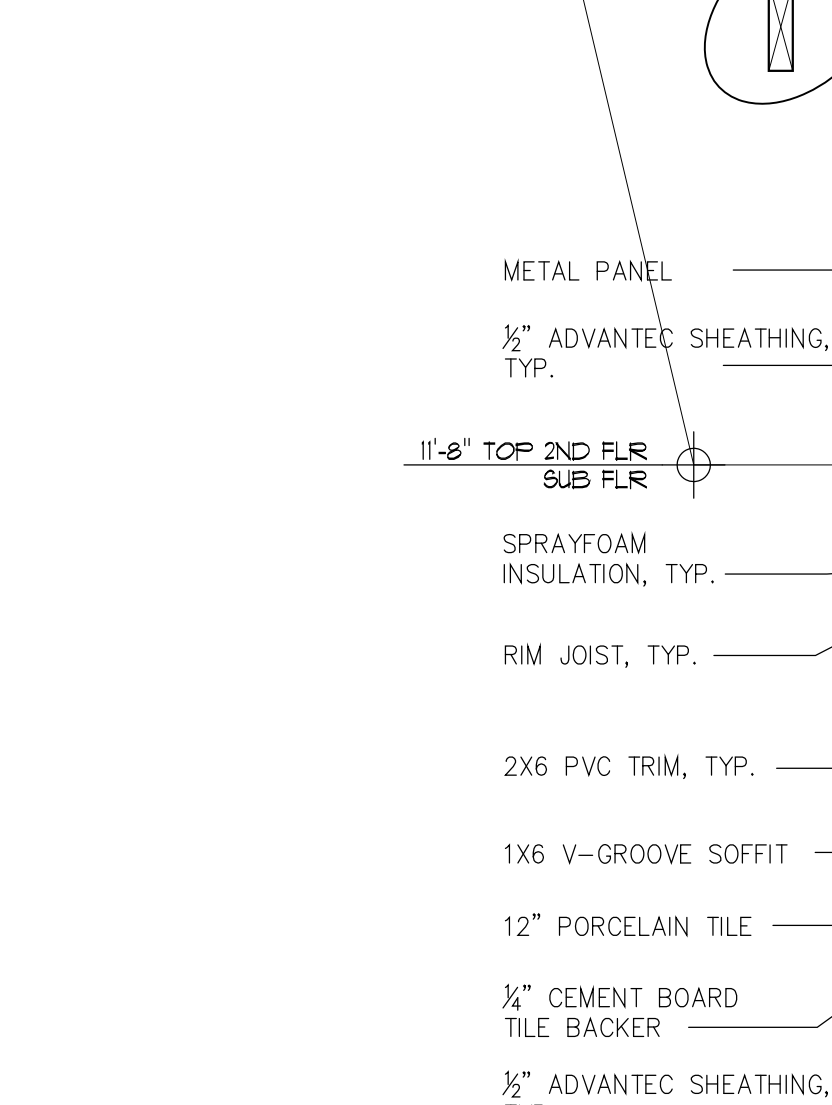
**1** TYP CONC STEM WALL @ NO WDO & TILE  
SCALE = 1" = 1'-0" SECTION



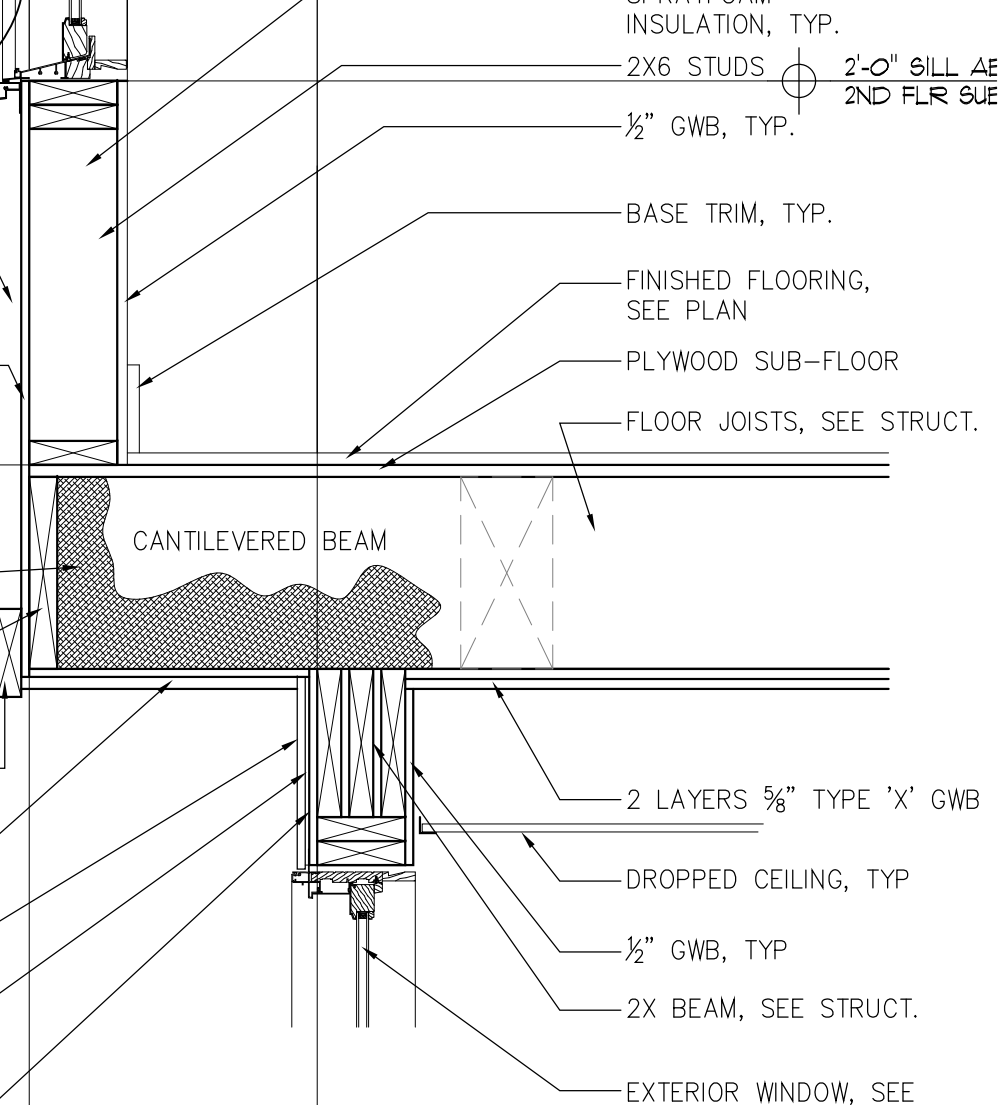
**4** TYP CONC STEM WALL @ WDO SILL @ TILE  
SCALE = 1" = 1'-0" SECTION



**X** WALL ASSEMBLY DTL @ WDO TO SIDING  
SCALE = 3" = 1'-0" SECTION



**X** WALL ASSEMBLY DTL @ WDO TO TILE  
SCALE = 3" = 1'-0" SECTION



**9** TYP WDO HEAD @ CANTILEVER BAY @ TILE  
SCALE = 1" = 1'-0" SECTION

502 DEERING CENTER  
NEW MIXED USE  
502 STEVENS AVE, PORTLAND ME

FOR PERMIT  
NOT FOR  
CONSTRUCTION

**TITLE:**  
EXT DETAILS

REV	DATE	ISSUE
D		
C		
B		
A	05/15/2017	PERMIT

**DRAWING NO:**  
A3.4