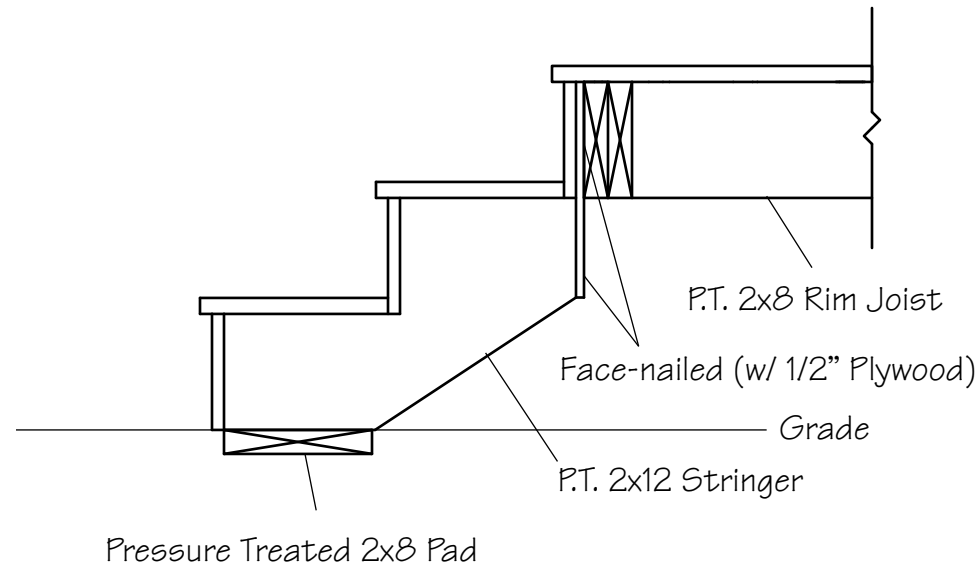
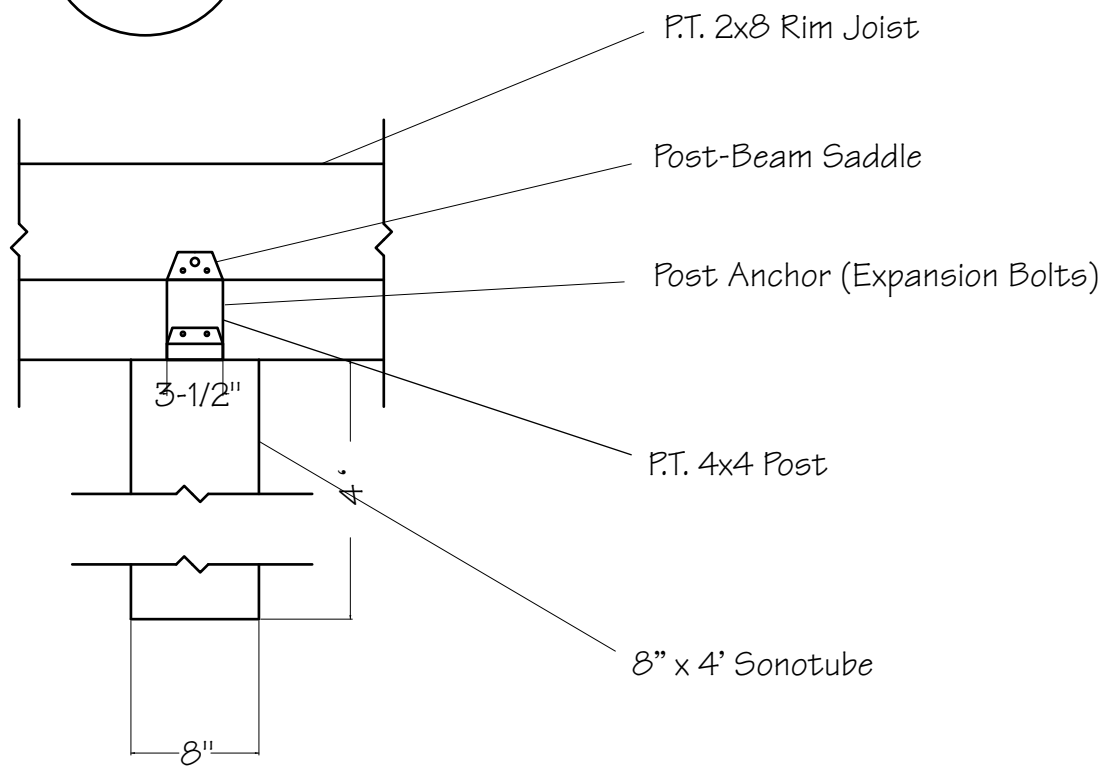


S3.1 Ledger Detail
1" = 1'

S3.3 2-Step Detail
1" = 1'



S3.1 Pier Detail
1" = 1'

S3.4 3-Step Detail
1" = 1'

S3 1" = 1'
Proposed Structural Details

534 Stevens Ave, Portland, ME
Contact:

Aurimas Bukauskas
207 807 2809
aurimasmb@gmail.com

Arunas Bukauskas
207 671 3674

Beth Haddadi
207 838 6263