

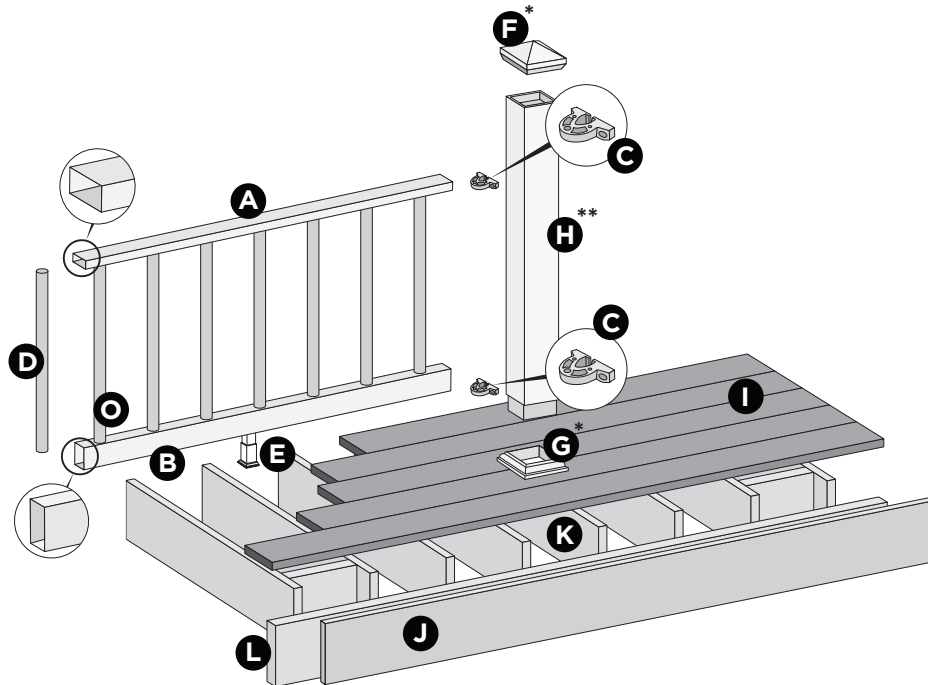
# TREX SELECT® RAILING

## Installation Instructions



**NOTE :** All Trex Select Railing lengths are manufactured at ON CENTER dimensions (spanning from center of each post): 67-5/8" (176.8 cm) for 6' (1.83 m) on center, and 92-5/8" (235.3 cm) for 8' (2.44 m) on center. Note that railings are designed to be slightly longer than required to allow for very slight play in post placement – trimming may be required. IT IS VERY IMPORTANT TO MEASURE FIRST.

### PARTS



- A. Select top rail
- B. Select bottom rail
- C. Brackets
- D. Balusters
- E. Adjustable foot block
- F. Post sleeve cap\*
- G. Post sleeve skirt\*
- H. Post sleeve – 4" x 4" (102 mm x 102 mm) or 6" x 6" (152 mm x 152 mm) post sleeve\*\*
- I. Trex decking
- J. Trex fascia
- K. Code-approved wood joist – 2" x 8" (51 mm x 203 mm)
- L. Code-approved wood rim joist – 2" x 8" (51 mm x 203 mm) or larger

\* Item not included in the Select railing kits.  
 \*\* Both 4" x 4" (102 mm x 102 mm) and 6" x 6" (152 mm x 152 mm) post sleeves are designed to fit over 4x4 pressure-treated post.

**NOTE:** If installing 42" (1067 mm) railing, use longer posts sleeves and measure accordingly to ensure a proper cut (**DO NOT CUT POST SLEEVES TO ACTUAL 42" – THESE NEED TO BE LONGER TO ALLOW FOR POST CAPS TO FIT**).

**NOTE:** Pictorial representations shown may only show one style of railing, while others may also be used. Review detailed instructions to determine what railing styles and combinations can be used.

### DETERMINING BALUSTERS NEEDED

| Baluster Type                                    | Per 6' OC Section | Per 8' OC Section |
|--|-------------------|-------------------|
| Round Aluminum Baluster (Horizontal Application) | 14                | 20                |
| Round Aluminum Baluster (Stair Application)      | 12                | 17                |

### CODE APPROVED APPLICATIONS

|                     | 6' Railing                                | 8' Railing                                |
|---------------------|---|---|
| <30" height decking | Acceptable (Code approval not applicable) | Acceptable (Code approval not applicable) |
| IRC Compliant       | Yes                                       | No  |
| IBC Compliant       | No  | No  |



Reviewed for Code Compliance  
 Permitting and Inspections Department  
 Approved with Conditions

**11/05/2018**

**Have Questions?  
 1-800-BUY-TREX**

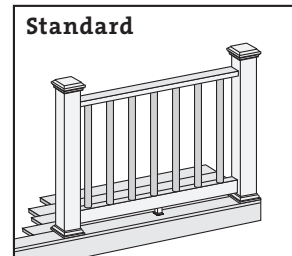
**NOTE:** Construction methods are always improving. Please ensure you have the most up-to-date installation instructions by visiting: [trex.com](http://trex.com)

TSR-1016

# TREX SELECT® RAILING

## Installation Instructions

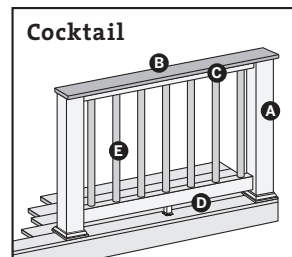
### TREX SELECT RAILING CONFIGURATIONS



Cutting post sleeves is **NOT** required.

- A. Pressure treated post or Trex post mounts\* with Trex Transcend post sleeves, or Trex joist mount posts\*
- B. Select top rail
- C. Select bottom rail
- D. Select balusters

See page 8 for "How to Install Standard Railing".



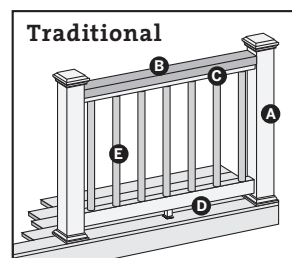
Post sleeves **WILL NEED TO BE CUT**.

- A. Pressure-treated post with Trex Transcend post sleeve
- NOTE:** » Only for use with 4" x 4" (102 mm x 102 mm) post sleeve.  
» Trex post mounts or joist mount posts cannot be Select cocktail design.
- B. Deck board top rail.
  - C. Select top rail
  - D. Select bottom rail
  - E. Select balusters

**NOTES:** » Contour and Escapes cannot be used  
» Deck boards will need to be cut to fit each rail span

See page 5 for "How to Install Select Cocktail Railing".

**POST  
SLEEVES  
WILL  
NEED TO  
BE CUT**



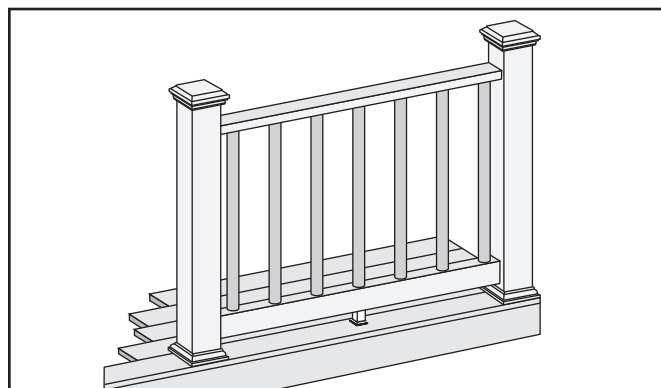
Cutting post sleeves is **NOT** required.

- A. Pressure treated post or Trex post mounts\* with Trex Transcend post sleeves, or Trex joist mount posts\*
- B. 2" x 4" (51 mm x 102 mm) lateral top rail
- C. Select top rail
- D. Select bottom rail
- E. Select balusters

See page 6 for "How to Install Traditional Railing".

\*See specific installation instructions for attachment of Trex post mounts or Trex Joist Mount Posts prior to installing any railing.

### HOW TO INSTALL TREX SELECT STANDARD RAILING TREX SELECT



**2**

**Read all instructions BEFORE installation.**

**Important:** Post sleeves are **NOT** to be cut for this design style.



Reviewed for Code Compliance  
Permitting and Inspections Department  
Approved with Conditions

11/05/2018

Have Questions?  
1-800-BUY-TREX

**NOTE:** Construction methods are always improving. Please ensure you have the most up-to-date installation instructions by visiting: [trex.com](http://trex.com)

TSR-1016

## HOW TO INSTALL TREX SELECT STANDARD RAILING/CONTINUED TREX SELECT

### Installing Pressure-Treated Posts

» Select Railing Kits are designed for posts to be installed at maximum of 6' or 8' (1.83 m or 2.44 m) ON CENTER depending on the length being used.  
**(NOTE: Smaller spans are allowed).**

- » Attach posts using 1/2" (13 mm) carriage bolts.
- » Minimum joist size is 2" x 8" (51 mm x 203 mm).
- » Top bolts must be 1" (25 mm) from tops of joists.
- » Bottom bolts must be 5-1/8" (130 mm) from top bolts.

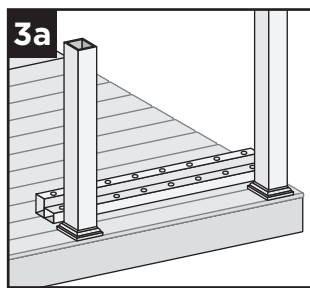
**NOTE:** Blocking **MUST** be added for extra strength.

### Installing Post Sleeve Skirts and Post Sleeves

2. Slide post sleeve skirt over post and down to rest on decking surface. Slide post sleeve over post and position inside post sleeve skirt.

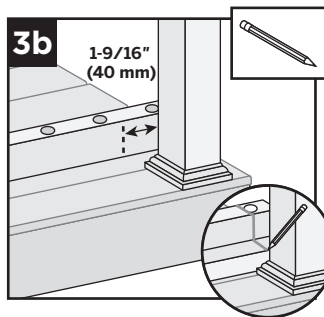
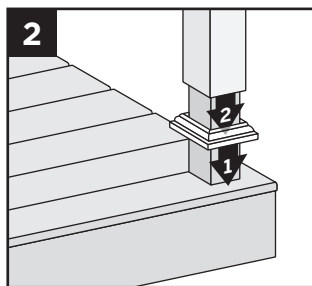
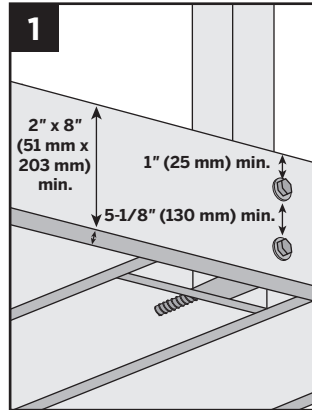
**NOTE:** Shims can be used to plumb post sleeves.

### Cutting Railings



- 3a. Position bottom and top rails between posts, ensuring baluster holes are lined up and spaced evenly.

- 3b. Also allow for a minimum of 1-9/16" (40 mm) on each end of rail for bracket placement AND baluster clearance. Mark rails at intersection of rail and post.

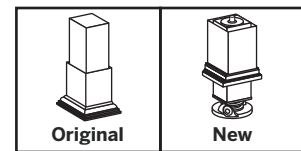
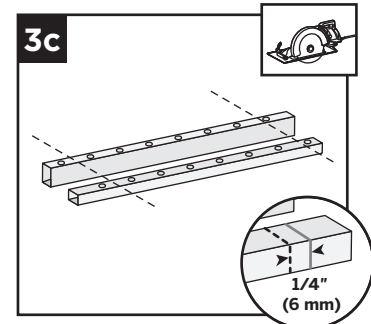


- 3c. Cut each end of both bottom and top rails 1/4" (6 mm) shorter than mark on each end to allow for fit into brackets.

**NOTE:** After cutting, this still allows enough space for bracket placement.

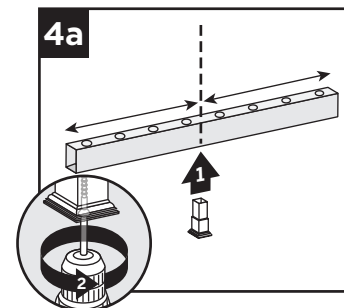
### IMPORTANT NOTE REGARDING FOOT BLOCK INSTALLATION:

- » Determine which style of foot block is included. Original foot block is a one-piece part that is adjustable. New foot block is a two-piece part with turning base mount.
- » Also refer to detailed instructions (Trex Select® rail instructions) included with foot block prior to installation of railing section as these include other required steps for proper installation.



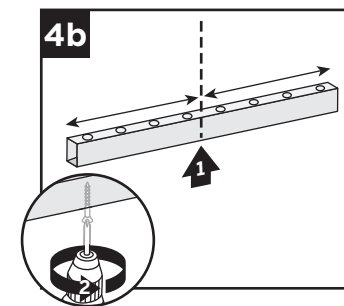
### If Attaching Original Foot Block to Bottom Rail

- 4a. Invert the bottom railing. Center foot block on the bottom rail and attach per Original Foot Block instructions.



### If Attaching New Foot Block to Bottom Rail

- 4b. Invert the bottom rail. Center and drill a hole using a 3/16" drill bit. This will be location for foot block attachment (to be installed last).



Reviewed for Code Compliance  
Permitting and Inspections Department  
Approved with Conditions

3 11/05/2018

Have Questions?  
1-800-BUY-TREX

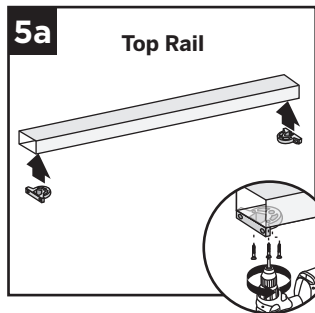
**NOTE:** Construction methods are always improving. Please ensure you have the most up-to-date installation instructions by visiting: [trex.com](http://trex.com)

TSR-1016

# TREX SELECT® RAILING

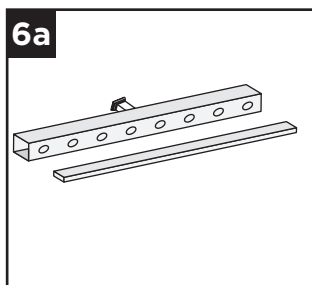
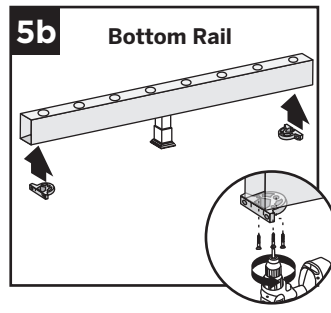
## Installation Instructions

### HOW TO INSTALL TREX SELECT STANDARD RAILING/CONTINUED TREX SELECT



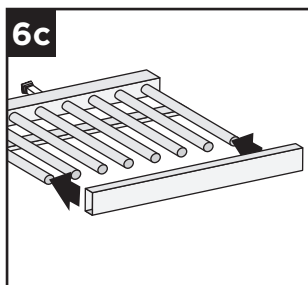
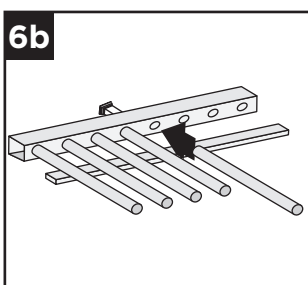
#### Attaching Brackets to Rails

- 5a. Position brackets on each end of TOP RAIL on the same side as baluster holes. Attach brackets using three #8-18 x 1" self-drilling screws (*provided*).
- 5b. Position brackets on each end of BOTTOM RAIL on the **OPPOSITE SIDE** of the baluster holes. Attach brackets using three #8-18 x 1" self-drilling screws (*provided*).

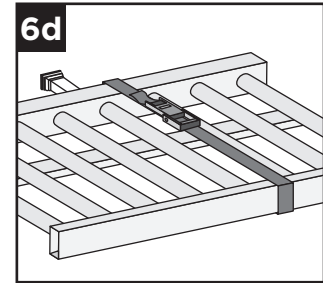


#### Assembling Railing Section

- 6a. On a clean flat surface lay bottom railing on its side. Make sure to allow enough room for installation of balusters and top rail. Place a scrap piece of 1" decking board running parallel to bottom rail for support when installing balusters.
- 6b. Insert balusters into bottom rail slots until balusters are fully seated.
- 6c. Attach top rail to balusters, feeding each baluster into required slots. Start on one end and work towards the other.

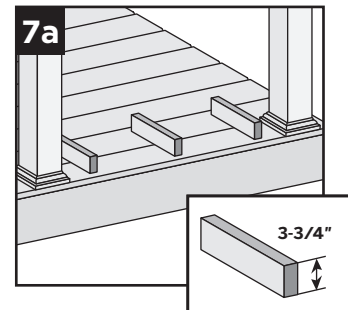


- 6d. To help temporarily secure the railing section together, place a ratchet strap around the top and bottom rail and tighten until snug. **DO NOT OVERTIGHTEN AS YOU CAN BEND THE RAILING.**

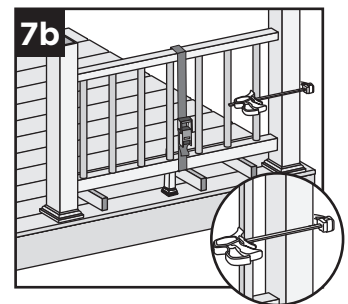


#### Installing Railing Section to Posts

- 7a. Using scrap material (i.e. 2 x 4s, decking boards, etc.) cut at least three support blocks at 3-3/4" in height. Place one each on decking surface beside each post and one near center of span.

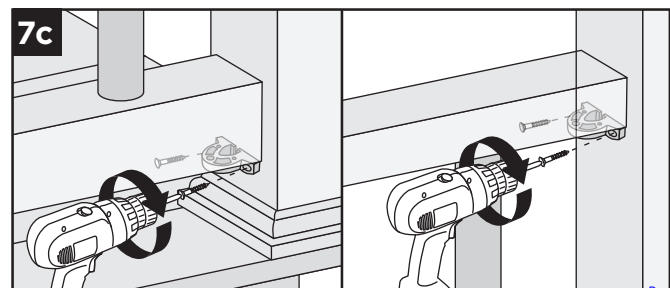


- 7b. Lift secured railing section up, and **CENTER** this section in between the spanned posts on pre-positioned support blocks.



- NOTE:** To help stabilize railing section use a quick-grip clamp (or other type of clamp) and clamp the first baluster to post sleeve. (**DO NOT OVERTIGHTEN CLAMP.**)

- 7c. Install both bottom and top brackets on each side to post using two #8-10x2" wood screws (*provided*). For best results, set drill to low speed when



Reviewed for Code Compliance  
Permitting and Inspections Department  
Approved with Conditions

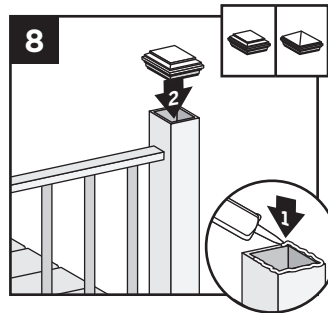
11/05/2018

## HOW TO INSTALL TREX SELECT STANDARD RAILING/CONTINUED TREX SELECT

installing these screws.

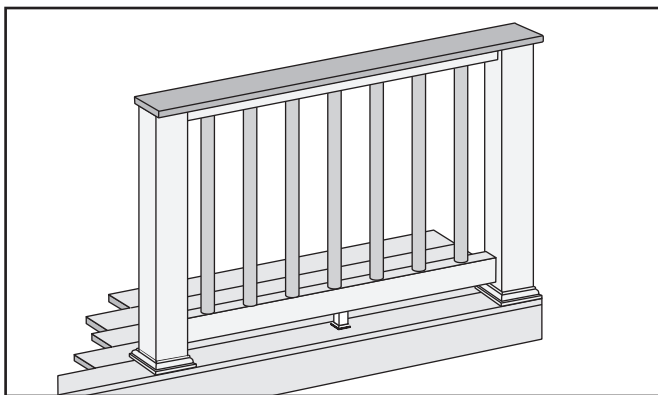
### Attaching Post Caps and Installing New Foot Block

8. Secure post caps with silicone or PVC adhesive. Attach new foot block per foot block instructions.



**NOTE:** Clean up any excess adhesive before drying.

## HOW TO INSTALL COCKTAIL RAILING TREX SELECT



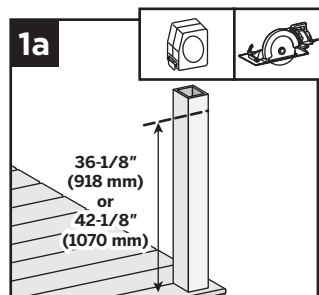
**Important: ONLY** use for use with pressure treated 4x4 post (3.5" nominal square) and 4" x 4" (102 mm x 102 mm) post sleeve. Trex Post Mounts or Joist Mount Posts cannot be used with Select Cocktail railing.

### 1. Installing Pressure-Treated Posts, Post Sleeve Skirts and Post Sleeves

See instructions on page 3.

#### Cutting Post and Post Sleeve

- 1a. Mark and cut post and post sleeve measuring from deck surface:
  - » 36-1/8" (918 mm) for 36" (914 mm) height.
  - » 42-1/8" (1070 mm) for 42" (1067 mm) height.



### 4. Cutting Railings

See instructions on page 3.

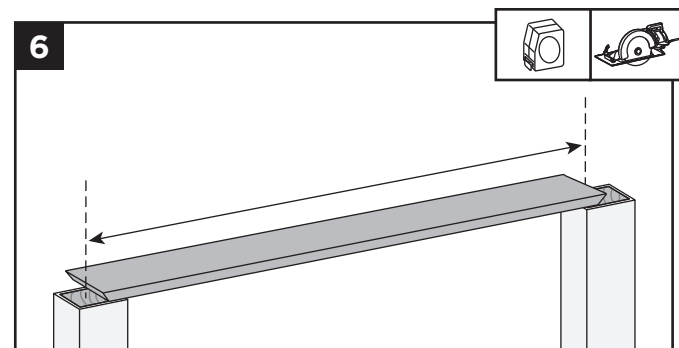
### 5. Attaching Foot Block to Bottom Railing

See instructions on page 3.

#### NOTES:

- » If installing in weather below 40°F (4.5°C), leave 1/8" (3 mm) gap between deck boards.
- » Deck boards can overhang end of last post maximum 1/2" (13 mm).

### Cutting Deck Board



6. Cut deck boards to appropriate length of railing span, remembering to include extra space on each side of the deck board to allow for attachment to the post. Decking boards must cover 1/2 of the pressure-treated post to allow this to be fastened later.



Reviewed for Code Compliance  
Permitting and Inspections Department  
Approved with Conditions

5 11/05/2018

Have Questions?  
1-800-BUY-TREX

**NOTE:** Construction methods are always improving. Please ensure you have the most up-to-date installation instructions by visiting: [trex.com](http://trex.com)

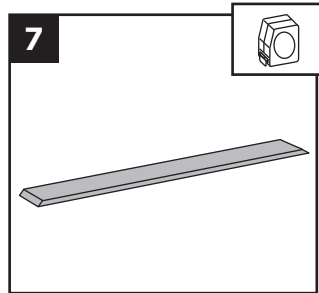
TSR-1016

# TREX SELECT® RAILING

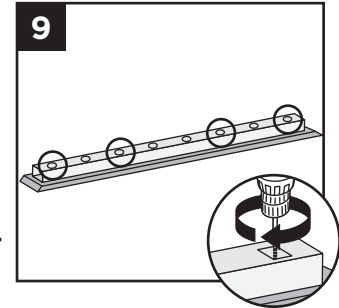
## Installation Instructions

### HOW TO INSTALL COCKTAIL RAILING/*CONTINUED* TREX SELECT

7. Place inverted deck board (place top side of deck board down) on clean, flat surface. (**DO NOT** use Escapes, or Contour deck boards for top rail.)

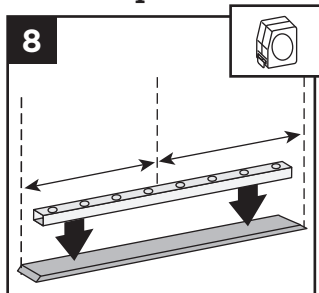


9. Secure deck board to Select top rail with 3/4" screws provided approx. every 16" on center. Screws are to be installed inside of the baluster holes into the decking board. **DO NOT** overtighten.



#### Attaching Deck Board to Select Top Rail

8. Place inverted Select top rail (orient properly so baluster holes are shown top side up), on the deck board, centered in both directions to allow final attachment to post.



**NOTE:** A long drill bit will be required to fit inside the baluster holes.

#### 10. Assembling Railing Sections

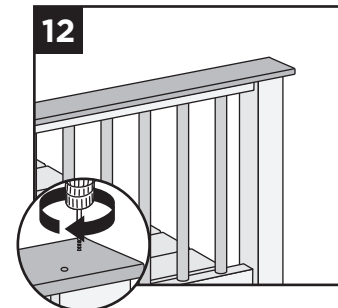
See instructions on page 4.

#### 11. Installing Railing Sections to Posts

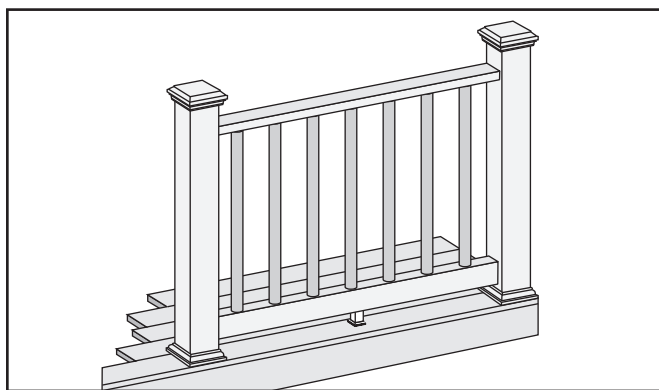
See instructions on page 4.

#### 12. Attaching Deck Board to Posts

Attach boards on each post with Trex recommended composite screws (quantity of 2 per each board end).



### HOW TO INSTALL TREX TRADITIONAL RAILING TREX SELECT



#### 1. Installing Pressure-Treated Posts, Post Sleeve Skirts and Post Sleeves

See instructions on page 2.

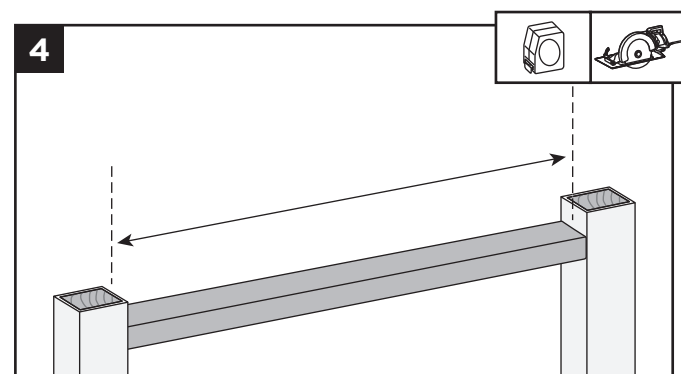
#### 2. Attaching Foot Block to Bottom Railing

See instructions on page 2.

#### 3. Cutting Railings

See instructions on page 3.

#### Cutting 2" x 4"



4. Cut 2" x 4" (51 mm x 102 mm) to same length of the inverted Select top rail.



Reviewed for Code Compliance  
Permitting and Inspections Department  
Approved with Conditions

11/05/2018

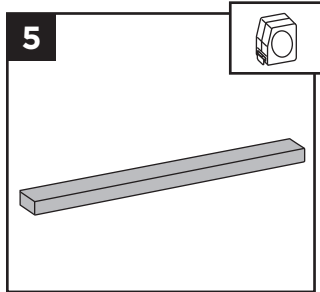
Have Questions?  
1-800-BUY-TREX

**NOTE:** Construction methods are always improving. Please ensure you have the most up-to-date installation instructions by visiting: [trex.com](http://trex.com)

TSR-1016

## HOW TO INSTALL TREX TRADITIONAL RAILING/*CONTINUED* TREX SELECT

### Attaching 2" x 4" to Select Top Rail

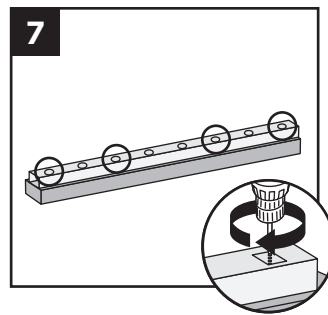
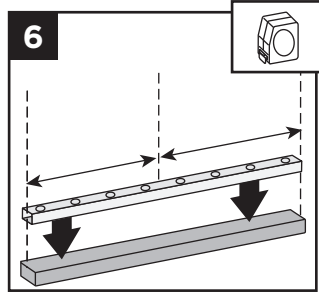


- Place inverted 2" x 4" (51 mm x 102 mm) (place topside down) on clean, flat surface.
- Place inverted Select top (orient properly so baluster holes are shown top side up) on 2" x 4" (51 mm x 102 mm).

- Secure 2" x 4" (51 mm x 102 mm) to Select top rail with 3/4" screw provided approx. every 16" on center. Screws are to be installed inside of the baluster holes into the decking board.

**DO NOT** overtighten.

Note that a long drill bit will be required to fit inside the baluster holes.



### 8. Assembling Railing Sections

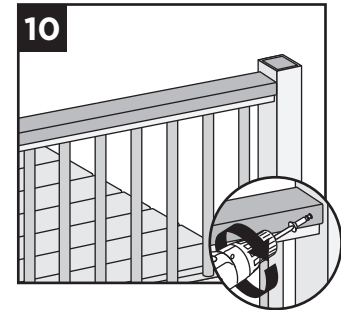
See instructions on page 4.

### 9. Installing Railing Sections to Posts

See instructions on page 4.

### 10. Attaching 2x4 to Posts

Pre-drill a pilot hole and toenail 2-1/2" (64 mm) screw at each end of 2" x 4" (51 mm x 102 mm) into post on back side of rail (side not facing decking).

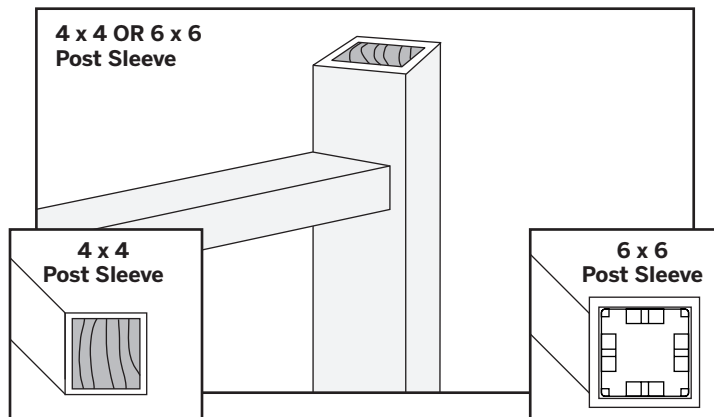


### 11. Attaching Post Caps and Installing New Foot Block

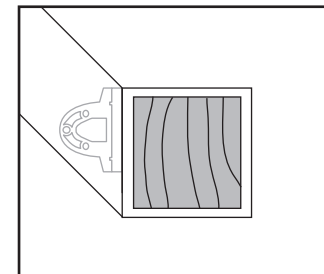
See instructions on page 5.

## HOW TO INSTALL ON-AN-ANGLE RAILING TREX SELECT

**NOTE:** Brackets are designed to be installed up to a 45° angle.



Both 4" x 4" (102 mm x 102 mm) or 6" x 6" (152 mm x 152 mm) post sleeves work well for angles up to 45 degrees. Bottom rail brackets may need to be slightly offset to one side in order to fit properly to hold rail in place. Measure and mark first before attachment of bracket to rail to ensure bottom rail remains parallel to upper rail.



Reviewed for Code Compliance  
Permitting and Inspections Department  
Approved with Conditions

7 11/05/2018

Have Questions?  
1-800-BUY-TREX

**NOTE:** Construction methods are always improving. Please ensure you have the most up-to-date installation instructions by visiting: [trex.com](http://trex.com)

TSR-1016

# TREX SELECT® RAILING

## Installation Instructions

### HOW TO INSTALL TREX SELECT STAIR RAILING

#### TREX SELECT

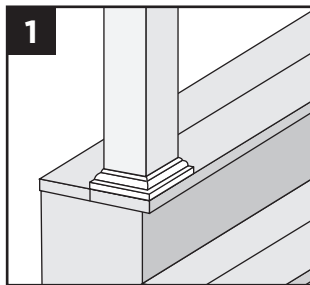
Read all instructions **BEFORE** installation.

**IMPORTANT NOTE: POST TO POST SPAN WILL BE LESS THAN 6'. PRIOR TO INSTALLING POSTS CALCULATE POST TO POST SPAN USING A MAXIMUM RAIL LENGTH OF 6' AND THE ANGLE (32°-37°) AT WHICH THE RAILS WILL BE INSTALLED. DO NOT INSTALL STAIR POSTS AT 6' SPAN, AS STAIR RAILINGS WILL THEN BE TOO SHORT.**

**NOTE: All Select railings work ONLY WITH STAIR SLOPES OF 32° TO 37°.**

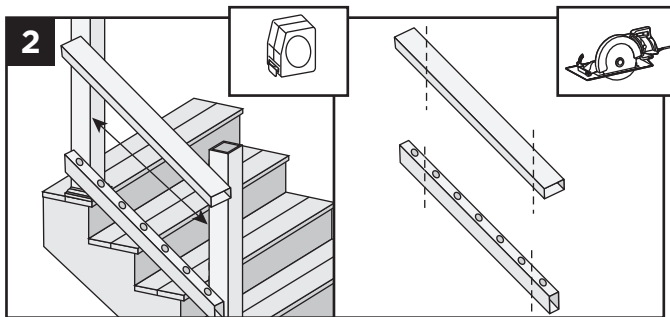
#### Installing Posts, Post Sleeve Skirts, and Post Sleeves for Stair Rails

1. Install posts, post sleeve skirts, and post sleeves according to standard Select railing instructions.



- » In most cases, a post and post sleeve longer than 39" (991 mm) will be needed on the lower section of stair rail to accommodate stair angle.
- » Make sure top and bottom posts for stairs are installed at nose of each tread.

#### Measuring and Cutting Railings



2. Set railing along the nose of the stair treads, making sure baluster holes are vertically aligned and mark line at each intersection. **When measuring, cut equal lengths from each side of railing allowing a minimum of 2" on each end from the last baluster hole to the end of the rail.** This will ensure proper baluster and bracket placement and equal spacing of balusters per each railing section.

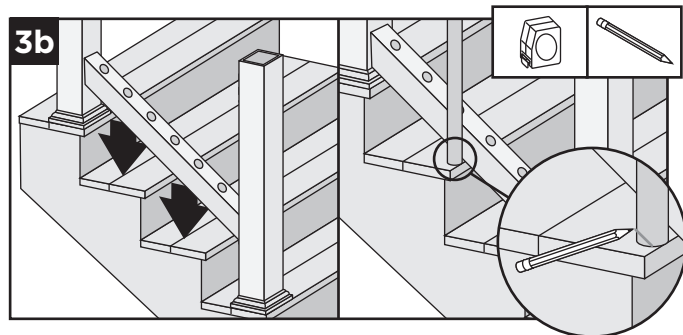
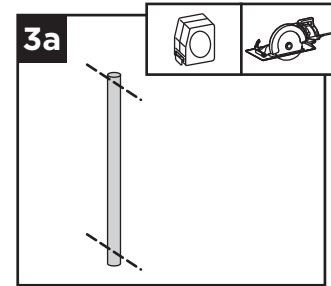
**8**

Have Questions?  
1-800-BUY-TREX

**NOTE:** Construction methods are always improving. Please ensure you have the most up-to-date installation instructions by visiting: [trex.com](http://trex.com)

#### Cutting Balusters on Angle (OPTIONAL)

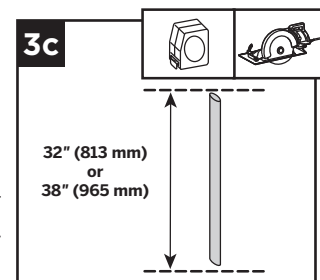
- 3a. In order for balusters to seat properly (depending on the angle of the stair railing), the balusters may need to be trimmed to match the angle of the bottom and top railing.



- 3b. Set bottom railing on nose of stair treads and set baluster at 90° on the outside of the railing, mark and measure the angle.

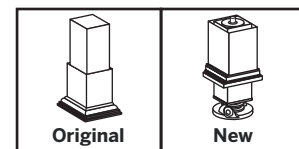
**NOTE:** Measure, mark, and cut a scrap board to ensure you have proper angle **BEFORE** cutting balusters on angle.

- 3c. Cut the **VERY END** of baluster, both top and bottom, making sure that point to point measurement of the baluster remains at either 32" (813 mm) for 36" (914 mm) rail heights or 38" (965 mm) for 42" (1067 mm) rail heights.



#### IMPORTANT NOTE REGARDING FOOT BLOCK INSTALLATION:

- » Determine which style of foot block is included. Original foot block is a one-piece part that is adjustable. New foot block is a two-piece part with turning base mount.
- » Also refer to detailed instructions (Trex Select rail instructions) included with foot block prior to installation of railing section as these include other required steps for proper installation.



Reviewed for Code Compliance  
Permitting and Inspections Department  
Approved with Conditions

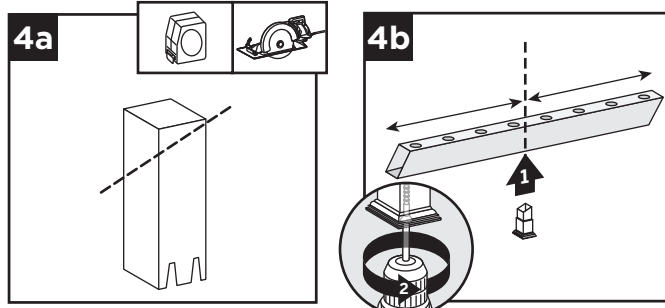
11/05/2018

TSR-1016



## HOW TO INSTALL TREX SELECT STAIR RAILING/CONTINUED TREX SELECT

### If Attaching Original Foot Block to Bottom Rail

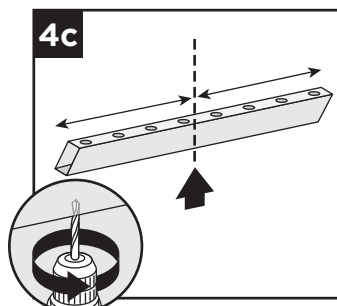


4a. For stair applications, cut the section of foot block at an angle to match rail. *Refer to foot block instructions for specific information on how to do this.*

4b. Invert bottom rail. Center foot block on bottom rail and attach at marked position per Original foot block instructions. **DO NOT** extend foot block.

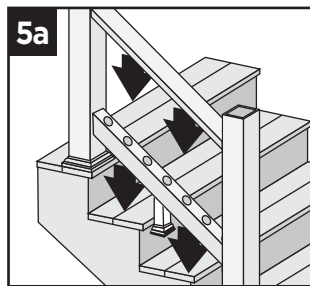
### If Attaching New Foot Block to Bottom Stair Rail

4c. Invert the bottom stair rail. Center and drill a hole using a 3/16" drill bit. This will be location for foot block (to be installed last).



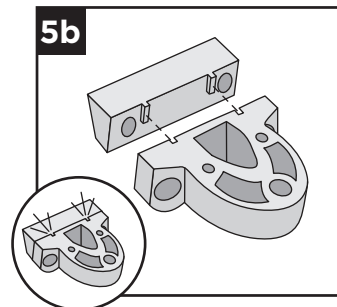
### Attachment of Brackets to Railings

5a. Check fit for both top and bottom railings in designated positions for location onto posts. Remove railings.

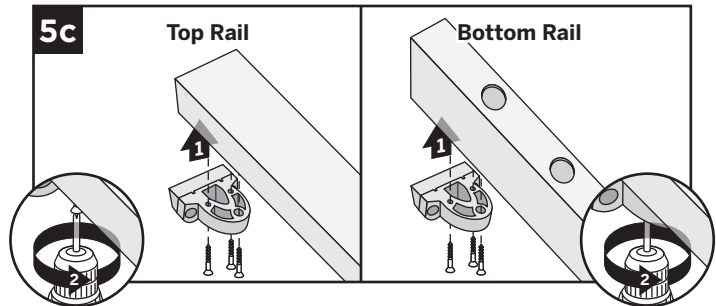


### Upper Stair Post Locations

5b. Snap the top stair adaptor bracket (labeled TOP) to the standard bracket. Repeat for remaining bracket.



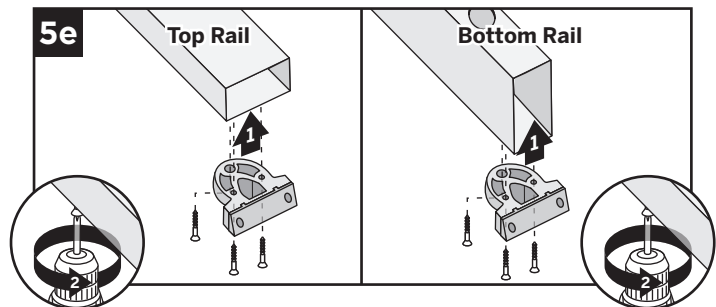
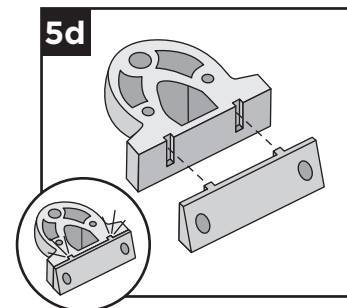
### Upper Stair Post Locations



5c. On the **TOP RAIL**, attach the assembled top stair bracket to the side with baluster holes. On the **BOTTOM RAIL**, attach the assembled top stair bracket to the **OPPOSITE SIDE** of the baluster holes. Attach both brackets using three #8-18x1" self-drilling screws (*provided*).

### Lower Stair Post Locations

5d. Snap the bottom stair adaptor bracket (labeled **BOTTOM**) to the standard bracket. Repeat for remaining bracket.



5e. On the **TOP RAIL**, attach the assembled bottom stair bracket to the side with baluster holes. On the **BOTTOM RAIL**, attach the assembled bottom stair bracket to the **OPPOSITE SIDE** of the baluster holes. Attach both brackets using three #8-18x1" self-drilling screws (*provided*).



Reviewed for Code Compliance  
Permitting and Inspections Department  
Approved with Conditions

9 11/05/2018

Have Questions?  
1-800-BUY-TREX

**NOTE:** Construction methods are always improving. Please ensure you have the most up-to-date installation instructions by visiting: [trex.com](http://trex.com)

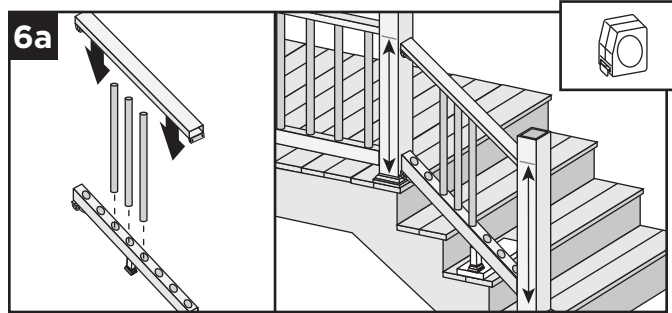
TSR-1016

# TREX SELECT® RAILING

## Installation Instructions

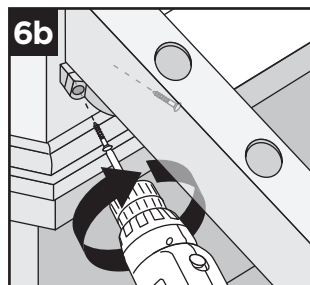
### HOW TO INSTALL TREX SELECT STAIR RAILING/CONTINUED TREX SELECT

#### Attachment of Bottom Rail to Post

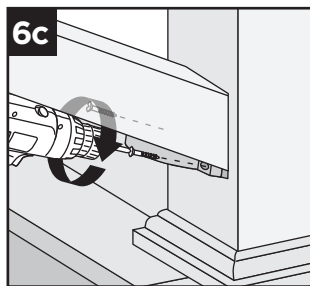


6a. Assemble a few of the balusters into the bottom and top railings (make sure balusters are setting at 90°) and set this on scrap material clearing the stair treads to determine where bracket locations need to be. Measure to make sure that the bottom railing will clear the stair treads and the top railing will be aligned with horizontal railing (remember in most cases, a longer post and post sleeve will be needed on the lower section of stair rail to accommodate stair angle).

6b. After locating appropriate position for bottom rail remove top rail and balusters and attach bottom rail stair bracket to upper post using two #8-10x3" wood screws (*provided*).

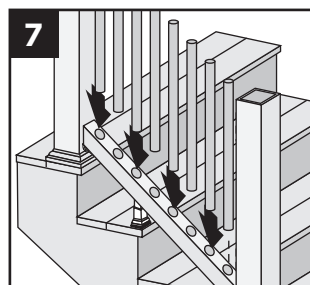


6c. Attach bottom stair rail stair bracket to lower post using two #8-10x3" wood screws (*provided*). For best results set drill to low speed when installing these screws.



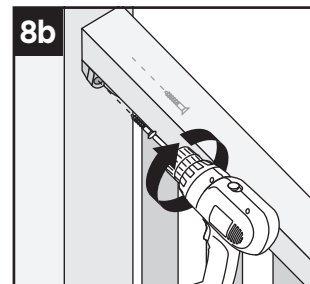
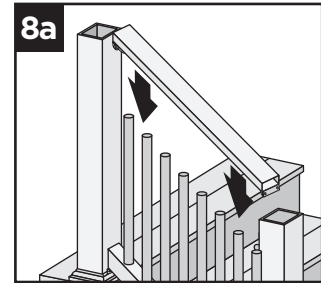
#### Install Balusters

7. Slide balusters into bottom rail until balusters are fully seated.

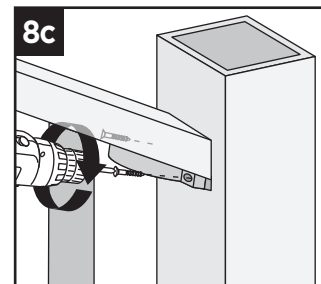


#### Attachment of Top Rail to Post

8a. Place top rail onto balusters, allowing the top rail to rest on the surface of the balusters.



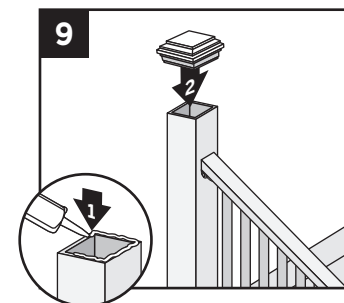
8b. Attach top stair rail bracket to upper post using two #8-10x3" screws (*provided*). For best results set drill to low speed when installing these screws.



8c. Attach top stair rail bracket to lower post using two #8-10x3" screws (*provided*). For best results set drill to low speed when installing these screws.

#### Attaching Post Caps and Installing New Foot Block

9. Secure post caps with silicone or PVC adhesive. Attach new foot block per foot block instructions.



**NOTE:** Clean-up any excess adhesive before drying.

10

Have Questions?  
1-800-BUY-TREX

**NOTE:** Construction methods are always improving. Please ensure you have the most up-to-date installation instructions by visiting: [trex.com](http://trex.com)

  
Reviewed for Code Compliance  
Permitting and Inspections Department  
Approved with Conditions  
11/05/2018

TSR-1016



