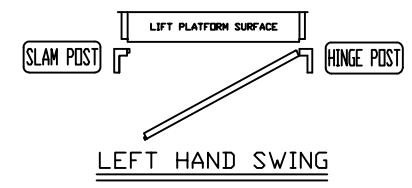
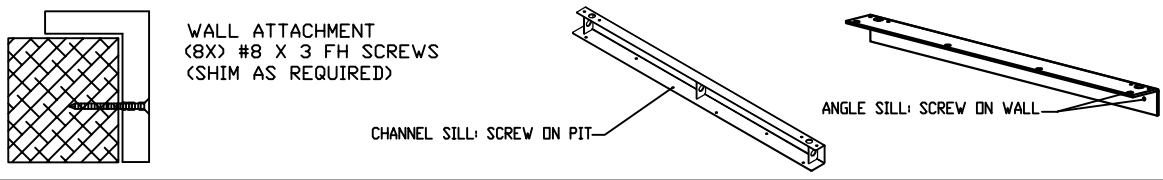
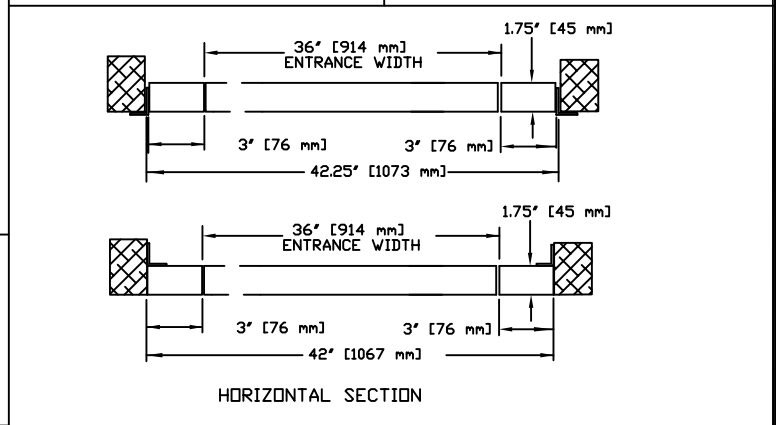


**NOTES:**

- A: DRYWALL OR PARGING (BY OTHERS) AS REQ'D.
- B: SEE DATASHEET OF THE INSTALLATION DRAWING FOR LANDING ENTRANCE SCHEDULE.
- C: ALL INFORMATION IS SUBJECT TO CHANGE.

**GENERAL INFORMATIONS:**

- EACH LANDING ENTRANCE SHALL BE SUPPLIED AS A FINISHED ASSEMBLY WITH DOOR AND FRAME BLANKED, REINFORCED, DRILLED AND TAPPED FOR ALL COMPONENTS DETAILED, READY FOR INSTALLATION.
- DIFFERENT PANEL INSERT MATERIALS ARE OPTIONAL.
- DIFFERENT LOCKS SUCH AS GAL, OR WR500 ARE OPTIONAL.
- MANUAL DOOR: DOOR CLOSER IS PROVIDED.



First Level Door

**Low Profile Doors and Gates**

ENCLOSED VERTICAL WHEELCHAIR PLATFORM LIFT

**OFFICE USE ONLY:**

CONFIGURATION VERSION STAMP: 0.0

MODULE VERSION STAMP: M-S-20

Part No.

Variant No. 26568

CUSTOMER: MAINE ACCESSIBILITY CORPORATION

PROJECT: [Blank]

ADDRESS: [Blank]

DATE: 02/14/13

REVISION DATE: 02/14/13

COMPLETED BY: 60164

**savaria**

JOB No. P-000000

SHEET No. 3 OF 4