

**Submittal Data: 15RLS3  
Inverter Driven Heat Pump**

**15,000 BTU Heat-Pump System**

Job Name: \_\_\_\_\_

Date: \_\_\_\_\_

Location: \_\_\_\_\_

Approval: \_\_\_\_\_

Engineer: \_\_\_\_\_

Construction: \_\_\_\_\_

Submitted to: \_\_\_\_\_

Unit #: \_\_\_\_\_

Submitted by: \_\_\_\_\_

Drawing #: \_\_\_\_\_

Reference: \_\_\_\_\_

**General Features**

- Refrigerant Type R410A.
- Human Sensor
- Wired and wireless remote controllers
- Double swing automatic
- Automatic airflow adjustment
- Low noise mode
- Powerful mode
- 5- Years Parts, 7-Years Compressor Warranty (See Warranty Statement for details)
- Program timer
- Weekly time

**Model Information**

Outdoor..... AOU15RLS3

Indoor..... ASU15RLS3

**Electrical**..... 208/230V AC 1ph-60Hz

Available Voltage Range..... 208/230 +/- 10%

Minimum Circuit Ampacity..... 17.2 A

Max Fuse Size..... 20A

Max Starting Current..... 5.2 A

**Input Power**

Cooling..... 1.04 kW

Heating..... 1.15 kW

**Running Current**

Cooling..... 4.8 A

Heating..... 5.2 A

**Capacity**

Nominal Cooling..... 15,000 Btu

Min-Max Cooling..... 3,100-18,400 Btu/h

Nominal Heating..... 18,000 Btu/h

Min-Max Heating..... 3,100-23,900 Btu

**Compressor**..... Rotary (inv x1)

Motor Output..... 1,000 W

Refrigerant..... R410a

Charge..... 3 lbs. 1 oz

Oil..... FREOL a68SZ

**Fan Motor**

(Condenser) Type: DC ..... Propeller x 1

(Condenser) Motor Output..... 49 W

(Evaporator) Type: DC..... Cross flow fan x 1

(Evaporator) Motor Output..... 61 W

**Heat Exchanger** (Condenser (C) Evaporator (E))

Dimensions (H x W x D)

Condenser..... 23-1/8 x 34-11/16 x 1-7/16 in. (588x881x36.4 mm)

Evaporator..... Main 15-1/8 x 28-3/8 x 1-3/16 in. (384x720x30) Sub 3-5/16 x 28-3/8 x 1/2 in. (84x720x13.3 mm) 4-15/16 x 28-3/8 x 1/2 in. (126x720x13.3 mm)

Fin Pitch..... 20 FPI (C) Main 21 FPI Sub 18 FPI (E)

Rows x Stages..... 2 x 28 (C) Main 3 x 24 Sub 1 x 10 (E)

Pipe Type (Material)..... Copper (C) Copper (E)

Fin Type (Material)..... Aluminum (C) Aluminum (E)

Note: Specifications are based on the following conditions:

Cooling: Indoor temperature of 80°F (26.7°C) DB/67°F (19.44°C) WB, and outdoor temperature of 95°F (35°C) DB/75°F (23.9°C) WB.

Heating: Indoor temperature of 70°F (21.11°C) DB/59°F (15.°C) WB, and outdoor temperature of 47°F (8.33°C) DB/43°F (6.11°C) WB.

Pipe length: 24ft. 7in. (7.5m), Height difference: 0ft. (0m) (Outdoor unit - indoor unit)



**Operation Temperature Range**

Cooling..... 14°F (-10°C) to 115°F (46°C)

Heating..... -5°F (-21°C) to 75°F (24°C)

**Efficiency**

SEER..... 25.3

EER (cooling)..... 4.09 kW/kW

COP (heating)..... 4.59kW/kW / 15.7 Btu/hW

HSPF (heating)..... 13.4 Btu/hW

**Enclosure (Condenser)**

Material..... Painted galvanized steel

Color..... Beige (10 YR 7.5/1.0 NN)

**Sound Pressure Level**

Outdoor..... 49 dB(A)

Indoor..... 45 dB(A)

**Dimensions**

H x W x D

Outdoor in. (mm)..... 24-1/2 (620) x 31-1/8 (790) x 11-7/16 (290)

Indoor in. (mm)..... 11-5/8 (295) x 37 (940) x 10-5/8 (270)

**Connection Pipe**

Liquid..... 1/4" / 6.35 mm Flare

Gas..... 1/2" / 12.7 mm Flare

Method (Liquid/Gas)..... Brazing

Max Length (Pre-charge)..... 65 ft.(20 m) / (49 ft. {15 m})

Max Height Difference..... 49 ft. (15 m)

**Weight**

Outdoor..... 86 lbs (39 kg)

Indoor..... 31 lbs (14 kg)

**Accessories**

Wired Remote Controller..... UTY-RVNUM

Wired Remote Controller..... UTY-RNNUM

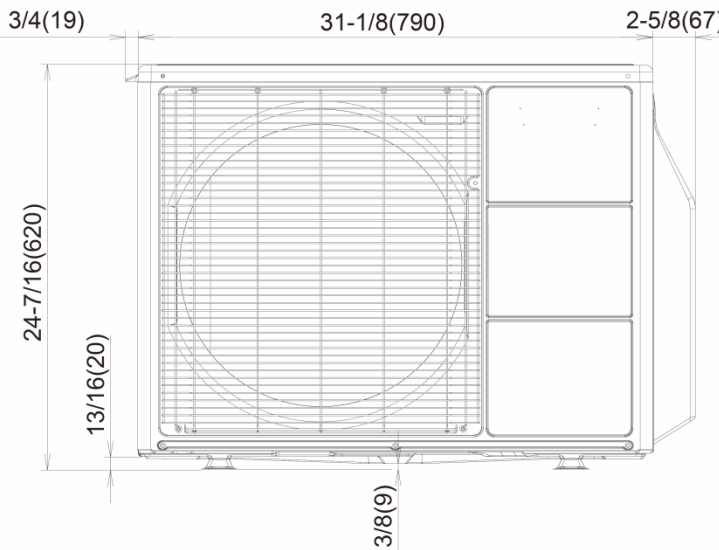
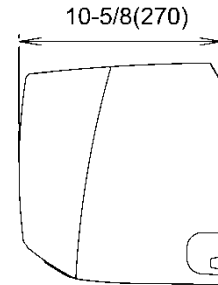
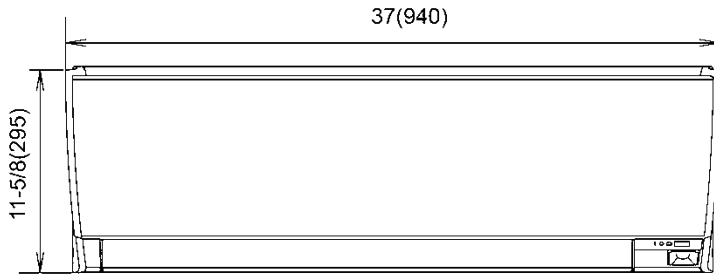
Simple Remote Controller..... UTY-RSNUM

Communication Kit..... UTY-TWBXF1

External Connection Kit..... UTY-XWZZ5

## Dimensions: 15RLS3

[Unit: in. (mm)]



Front view

Side view

