



**SILENT
KNIGHT**

by Honeywell

SD500-AIM & SD500-MIM Addressable Input Modules

IntelliKnight's addressable contact monitor modules combine fast response with pinpoint location ID. A combination that saves lives and property.

The SD500-AIM and SD500-MIM are addressable input modules for use with Silent Knight IntelliKnight fire alarm control panels (FACP). The SD500-AIM and SD500-MIM are designed to be used with pull stations, water flow switches, and other applications requiring dry contact alarm initiation devices.

The SD500-AIM addressable input module mounts to a 4"-square box. The SD500-MIM mini input module fits inside a single gang box. The modules are supervised, single input contact monitors. Using an EOL resistor, they monitor for alarm contact closures and for open circuit wiring fault conditions.

The SD500-AIM and SD500-MIM offer a compact design for adaptability and pleasing aesthetics as well as easy installation and stable operation—a flexible solution for all your fire protection needs.

For more information about the IntelliKnight system, or to locate your nearest source, please call 1-800-328-0103.

Description

The SD500-AIM and SD500-MIM are addressable input modules for use with the IntelliKnight fire alarm control panels (FACPs). The SD500-AIM addressable input module mounts to a 4"-square box. The SD500-MIM mini input module fits inside a single gang box. Both input modules are designed to be used with pull stations, water flow switches, and other applications requiring dry contact alarm initiation devices.

These modules are supervised, single input contact monitors. Using an EOL resistor, they monitor for alarm contact closures and for open circuit wiring fault conditions. If a fault occurs in the wiring, the module alerts the FACP. Each addressable input module is programmed with a unique signal line circuit (SLC) loop address.

Features

- Single contact monitor
- SD500-AIM supports Class A (Style D) or Class B (Style B) contact monitor wiring
- SD500-MIM support for Class B (Style B) contact monitor wiring
- Attractive ivory cover plate with the SD500-AIM
- Small and lightweight size allows for flexible mounting options with the SD500-MIM

- DIP switch programmable for fast installation
- Up to 2500 ft wiring distance from either input module to contact
- Use up to 14 gauge wire
- UL listed

Electrical Specifications

Standby Current: 0.55 mA

Alarm Current: 23 mA max for one device; 46 mA max for two devices; 0.55 mA for each additional device

Line Resistance: 50 Ω max

Mechanical Specifications

SD500-AIM Physical Description

Dimensions:
4.9" W x 4.9" H x 1" D
(12.4 W x 12.4 H x 2.5 D cm)
Weight: 3.6 oz (120.1 g)
Color: Ivory cover plate

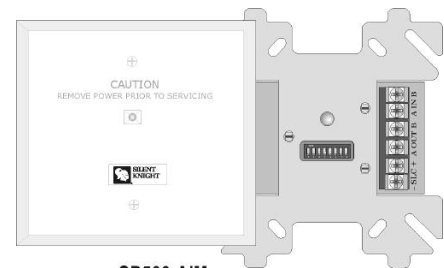
SD500-MIM Physical Description

Dimensions:
1.5" W x 2.5" H x 0.7" D
(3.8 W x 6.4 H x 1.8 D cm)
Weight: 1.6 oz (45.4 g)

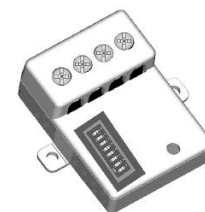
Environmental

Operating Temperature:
32°F – 120°F (0°C – 49°C)

Humidity:
10% – 93% non-condensing



SD500-AIM



SD500-MIM

Approvals

NFPA 71 & NFPA 72
UL 864
CSFM 7300-0559: 132
MEA 429-92-E Vol. IX
FM Approved for use with the 5820XL

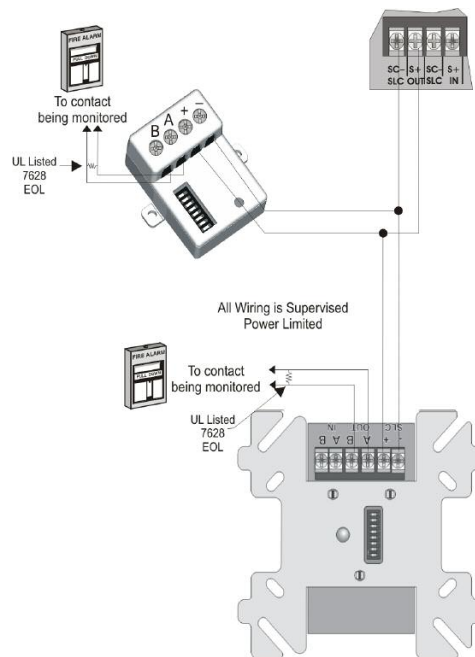
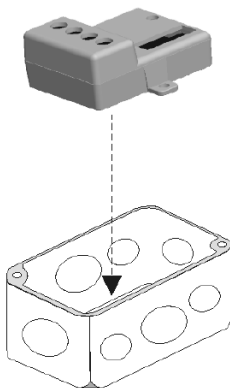
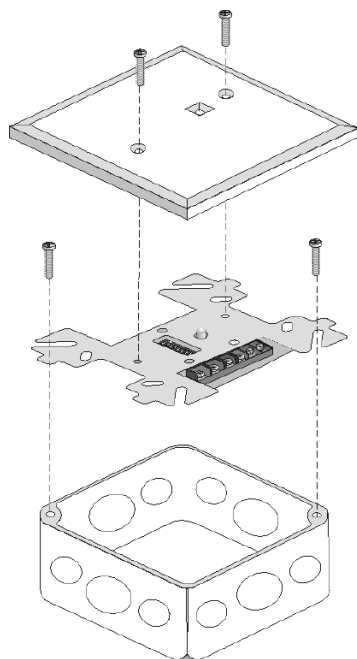
SD500-AIM & SD500-MIM

Addressable Input Modules

Engineering Specifications

The contractor shall furnish and install where indicated on the plans, addressable input modules Silent Knight SD500-AIM or SD500-MIM. The modules shall be UL listed and compatible with Silent Knight's IntelliKnight FACPs.

The SD500-MIM shall fit inside a single gang electrical box. The SD500-AIM shall be supplied with a plastic cover and shall be suitable for mounting to a 4"-square or double gang electrical box. The SD500-AIM addressable input module must provide a monitor LED that is visible from outside the cover plate



Compatible FACPs

5820XL

5820XL-EVS

5808

5700

Ordering Information

SD500-AIM Input Module

Addressable input module with ivory cover plate.

SD500-MIM Input Module

Addressable mini input module.



**SILENT
KNIGHT**

by Honeywell

This document is not intended to be used for installation purposes. We try to keep our product information up-to-date and accurate. We cannot cover all specific applications or anticipate all requirements. All specifications are subject to change without notice. For more information, contact Silent Knight 12 Clintonville Road, Northford, CT 06472-1610. Phone: (800) 328-0103 Fax: (763) 493-6475 For Technical Support, Please call 800-446-6444. www.silentknight.com

MADE IN AMERICA

FORM# 350231 Rev. F

© 2013 Honeywell International Inc