

Job Name: \_\_\_\_\_

System Reference: \_\_\_\_\_ Date: \_\_\_\_\_



<b>Electrical Power Requirements</b>	208 / 230V, 1-Phase, 60 Hz
--------------------------------------	----------------------------

<b>Minimum Circuit Ampacity (MCA)</b>		
Indoor / Outdoor	A	1 / 10

<b>Indoor Unit</b>		
Blower Motor (ECM)	F.L.A.	0.76
Blower Motor Output	W	30
SHF / Moisture Removal		0.80 / 2.7 pt./h
Field Drainpipe Size O.D.	In.(mm)	5/8 (15)

<b>Outdoor Unit</b>		
Compressor		DC INVERTER-driven Twin Rotary
Fan Motor (ECM)	F.L.A.	0.5

<b>Airflow Rate (Quiet - Lo - Med - Hi - Super Hi)</b>			
Indoor (Cooling)	DRY	CFM	205-272-335-420-533
	WET		170-237-300-385-498
Indoor (Heating)	DRY		205-247-304-367-463
			1,243 / 1,229
Outdoor			

<b>Sound Pressure Level (Quiet - Lo - Med - Hi - Super Hi)</b>			
Indoor	Cooling	dB(A)	26-32-38-44-49
	Heating		26-30-35-40-46
Outdoor	Cooling		49
	Heating		51

<b>External Dimensions</b>		
Indoor (H x W x D)	In.(mm)	11-5/8 x 31-7/16 x 9-1/8 (295 x 798 x 232)
Outdoor (H x W x D)		21-5/8 x 31-1/2 x 11-1/4 (550 x 800 x 285)

<b>Net Weight</b>		
Indoor	Lbs.(kg)	22 (10)
Outdoor		81 (37)

<b>External Finish</b>	
Indoor	Munsell 1.0Y 9.2 / 0.2
Outdoor	Munsell No. 3Y 7.8 / 1.1

<b>Refrigerant</b>	R410A; 2 lb. 9 oz.
--------------------	--------------------

<b>Refrigerant Piping (Flared)</b>		
Liquid (High Pressure)	In.(mm)	1/4 (6.35)
Gas (Low Pressure)		1/2 (12.7)
Max. Total Refrigerant Pipe Length (Height Diff.)	Ft. (m)	40 (12)
Max. Total Refrigerant Pipe Length (Length.)		65 (20)

### ACCESSORIES:

- Indoor Unit**
- Condensate Pump (BlueDiamond X87-711/721; 115/230V)
  - Condensate Pump (Sauermann SI30-115/230; 115/230V)
  - Anti-Allergy Enzyme Filter (MAC-408FT-E)
  - Drain Pan Level Sensor (DPLS2)

- Outdoor Unit**
- Outdoor Mounting Pad (ULTRILITE1)
  - Drain Pan Heater (MAC-640BH-U)
  - 3-1/4" Mounting Base [Pair] (DSD-400P)
  - Drain Pan Socket (MAC-860DS)
  - Air Outlet Guide (MAC-889SG)
  - Wall Mounting Bracket (QSWB2000M-1)

- Controls**
- Wireless Controller (MHK1)
  - Wired Remote Controller PAR-31MAA (Requires MAC-333IF-E)
  - Wireless Interface for kumo cloud™ (PAC-WHS01WF-E)
  - Thermostat Interface (PAC-US444CN-1)

### SPECIFICATIONS:

<b>Rated Conditions (Capacity / Input)</b>		
Cooling <sup>1</sup>	Btu/h / W	14,000 / 1,080
Heating at 47° F <sup>2</sup>	Btu/h / W	18,000 / 1,600

Capacity Range		Minimum	Maximum
Cooling <sup>1</sup>	Btu/h	3,100	18,200
Heating at 47° F <sup>2</sup>	Btu/h	4,800	20,900
Heating at 17° F <sup>3</sup>	Btu/h	-	16,400
Heating at 5° F <sup>4</sup>	Btu/h	-	13,700

<sup>1</sup> Cooling | Indoor: 80° F(27° C)DB / 67° F(19° C)WB; Outdoor: 95° F(35° C)DB / 75° F(24° C)WB  
<sup>2</sup> Heating at 47° F | Indoor: 70° F(21° C)DB / 60° F(16° C)WB; Outdoor: 47° F(8° C)DB / 43° F(6° C)WB  
<sup>3</sup> Heating at 17° F | Indoor: 70° F(21° C)DB / 60° F(16° C)WB; Outdoor: 17° F(-8° C)DB / 15° F(-9° C)WB  
<sup>4</sup> Heating at 5° F | Indoor: 70° F(21° C)DB / 60° F(16° C)WB; Outdoor: 5° F(-15° C)DB / 5° F(-15° C)WB  
 \* Rating Conditions per AHRI Standard:

<b>Operating Conditions (Indoor Intake Air Temp.) (Max./ Min.)</b>	
Cooling <sup>2</sup>	90° F (32° C) DB / 67° F (19° C) DB
Heating	80° F (27° C) DB / 70° F (21° C) DB

<b>Operating Conditions (Outdoor Intake Air Temp.) (Max./ Min.)</b>	
Cooling <sup>5</sup>	115 F (46° C) DB / 14° F (-10° C) DB
Heating	75° F (24° C) DB / -4° F (-20° C) DB**

<sup>5</sup> Applications should be restricted to comfort cooling only; equipment cooling applications are not recommended for low ambient temperature conditions.  
 \*\* System cuts out at -9° F (-27° C) to avoid thermistor error and automatically restarts at -4° F (-20° C).

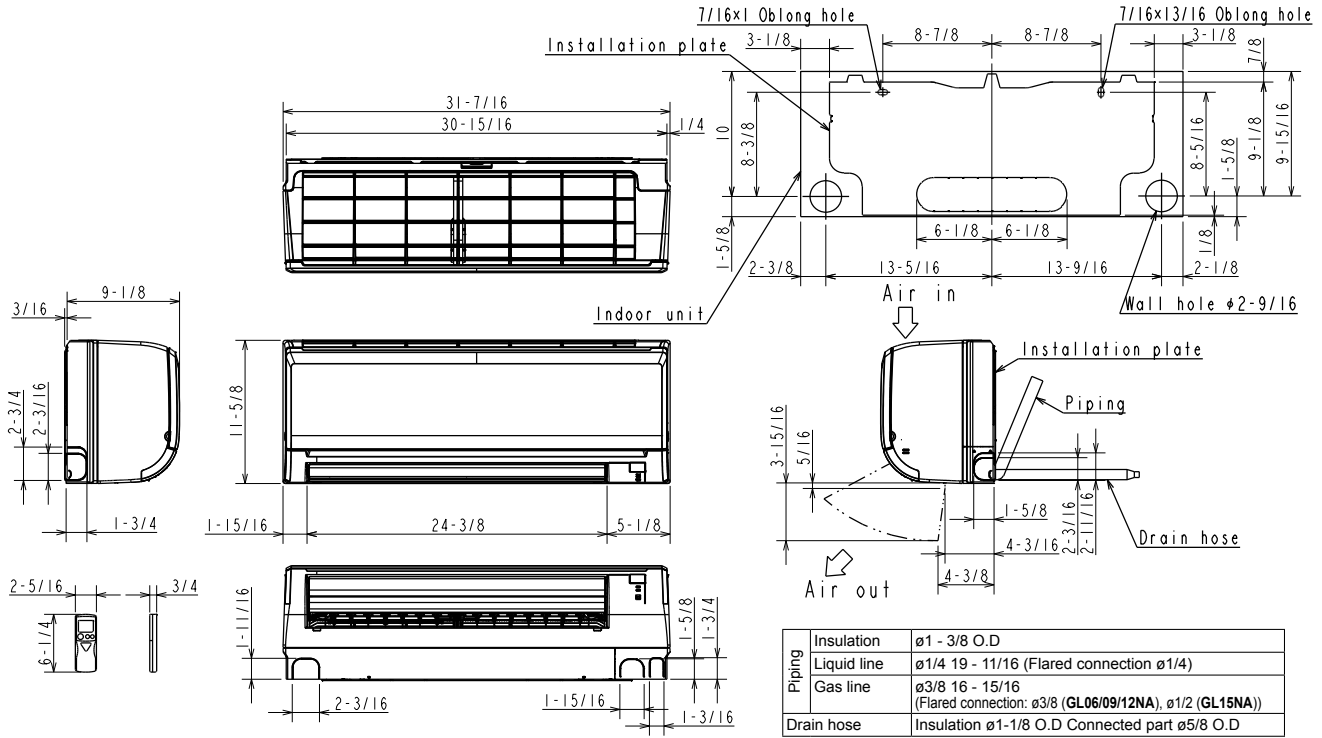
<b>AHRI Efficiency Ratings</b>	
SEER / HSPF	21.6 / 11.7
COP at 47° F / 17° F	3.3 / 3.0

<b>Energy Star®</b>	Yes
---------------------	-----

# DIMENSIONS: MSZ-GL15NA-U1 & MUZ-GL15NA-U1

## MSZ-GL15NA-U1

Unit: in. (mm)

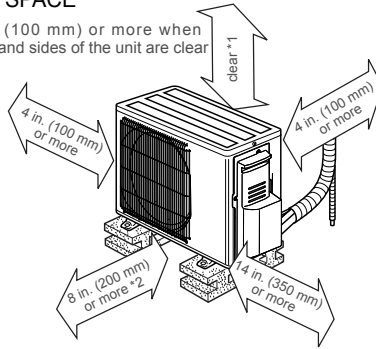


## MUZ-GL15NA-U1

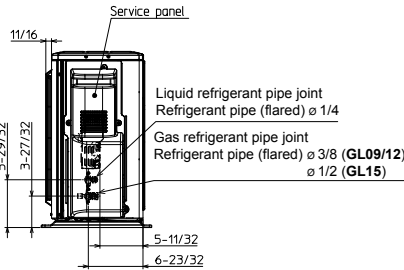
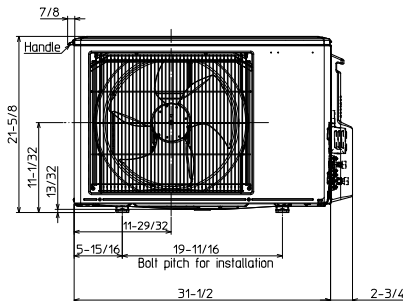
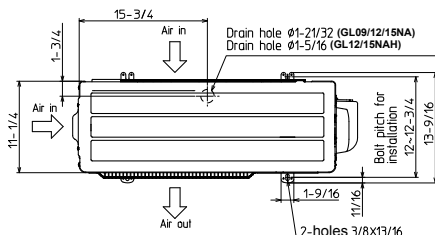
Unit: in. (mm)

### REQUIRED SPACE

\*1 4 in. (100 mm) or more when front and sides of the unit are clear



\*2 When any 2 sides of left, right and rear of the unit are clear



COOLING & HEATING

1340 Satellite Boulevard, Suwanee, GA 30024  
Toll Free: 800-433-4822 www.mehvac.com

