

DOOR SCHEDULE													
NUMBER	ROOM	TYPE	THICKNESS	WIDTH	HEIGHT	FINISH	FIRE RATED	INSULATED	WEATHER STRIP	THRESHOLD	SCREEN DOOR	HARDWARE	REMARKS
100.1	FOYER	A	1 3/4"	3'-0"	6'-8"	PTD	-	Y	Y	Y	-	EL	PAINTED OR STAINED AS PER OWNER
102.1	LIVING/DINING	B	1 3/8"	2'-8"	6'-8"	PTD	-	-	-	-	-	PS	-
103.1	KITCHEN / PANTRY	B	1 3/8"	2'-8"	6'-8"	PTD	-	-	-	-	-	PS	-
104.1	LINENS	B	1 3/8"	2'-0"	6'-8"	PTD	-	-	-	-	-	PS	-
105.1	BEDROOM 1	B	1 3/8"	2'-8"	6'-8"	PTD	-	-	-	-	-	PL	-
105.2	BEDROOM 1 CLOSET	B	1 3/8"	2'-4"	6'-8"	PTD	-	-	-	-	-	PS	-
104.2	BEDROOM 2	B	1 3/8"	2'-8"	6'-8"	PTD	-	-	-	-	-	PL	-
104.2	BEDROOM 2 CLOSET	B	1 3/8"	2'-4"	6'-8"	PTD	-	-	-	-	-	PS	-
107.1	BATH	B	1 3/8"	2'-8"	6'-8"	PTD	-	-	-	-	-	PL	-
108.1	MECH	CC	1 3/8"	2'-0" (2)	6'-8"	PTD	-	-	-	-	-	PS	FIRE RATED - 45 MINUTE MIN.
109.1	STAIR 1	A	1 3/4"	3'-0"	6'-8"	PTD	-	Y	Y	Y	-	EL	PAINTED OR STAINED AS PER OWNER
100.1	STAIR 2	D	1 3/4"	2'-4"	5'-8"	PTD	-	Y	Y	Y	-	EL	CUT DOOR TO SIZE; CONFIRM ROUGH OPENING
102.2	STAIR 2	C	1 3/8"	2'-8"	6'-8"	PTD	-	Y	-	-	-	EL	FIRE RATED - 45 MINUTE MIN.
100.3	STAIR 2	C	1 3/8"	2'-8"	6'-8"	PTD	-	Y	-	-	-	EL	FIRE RATED - 45 MINUTE MIN.
202.1	COATS	B	1 3/8"	1'-8"	6'-8"	PTD	-	-	-	-	-	PS	-
204.1	LINENS	B	1 3/8"	2'-0"	6'-8"	PTD	-	-	-	-	-	PS	-
205.1	BEDROOM 1	B	1 3/8"	2'-8"	6'-8"	PTD	-	-	-	-	-	PL	-
205.2	BEDROOM 1 CLOSET	B	1 3/8"	2'-4"	6'-8"	PTD	-	-	-	-	-	PS	-
204.2	BEDROOM 2	B	1 3/8"	2'-8"	6'-8"	PTD	-	-	-	-	-	PL	-
204.2	BEDROOM 2 CLOSET	B	1 3/8"	2'-4"	6'-8"	PTD	-	-	-	-	-	PS	-
207.1	BATH	B	1 3/8"	2'-8"	6'-8"	PTD	-	-	-	-	-	PL	-
208.1	BEDROOM 3	B	1 3/8"	2'-8"	6'-8"	PTD	-	-	-	-	-	PL	-
208.2	BEDROOM 3 CLOSET	B	1 3/8"	2'-0"	6'-8"	PTD	-	-	-	-	-	PS	-
209.1	STAIR 1	C	1 3/8"	2'-8"	6'-8"	PTD	-	Y	-	-	-	EL	-
210.1	STAIR 2	C	1 3/8"	2'-8"	6'-8"	PTD	-	Y	-	-	-	EL	FIRE RATED - 45 MINUTE MIN.

NOTE: DIMENSIONS ARE NOMINAL - SEE MANUFACTURER SPECIFICATIONS

DOOR PROJECT NOTES

- DOOR HARDWARE T.B.D. BY OWNER
- INTERIOR DOOR FRAMES TO BE PRE-PRIMED WOOD WITH PAINTED FINISH.

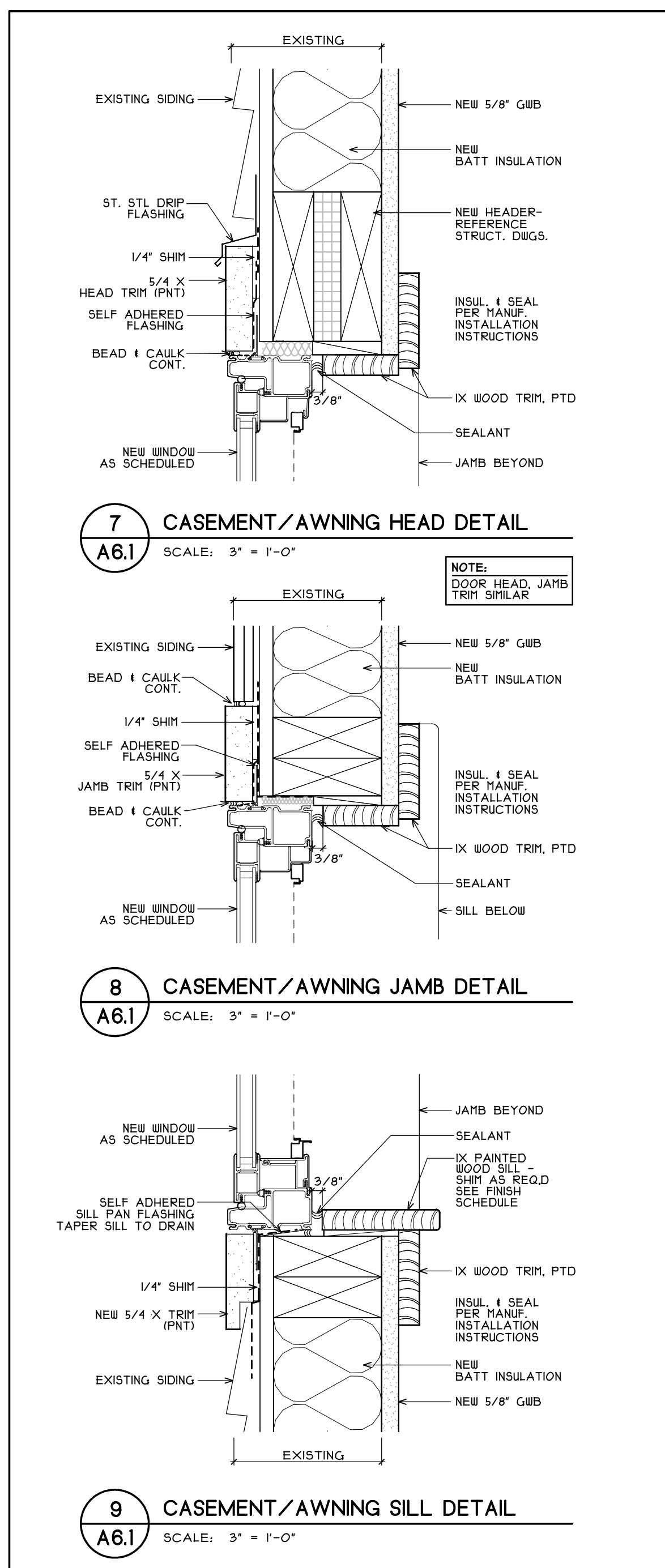
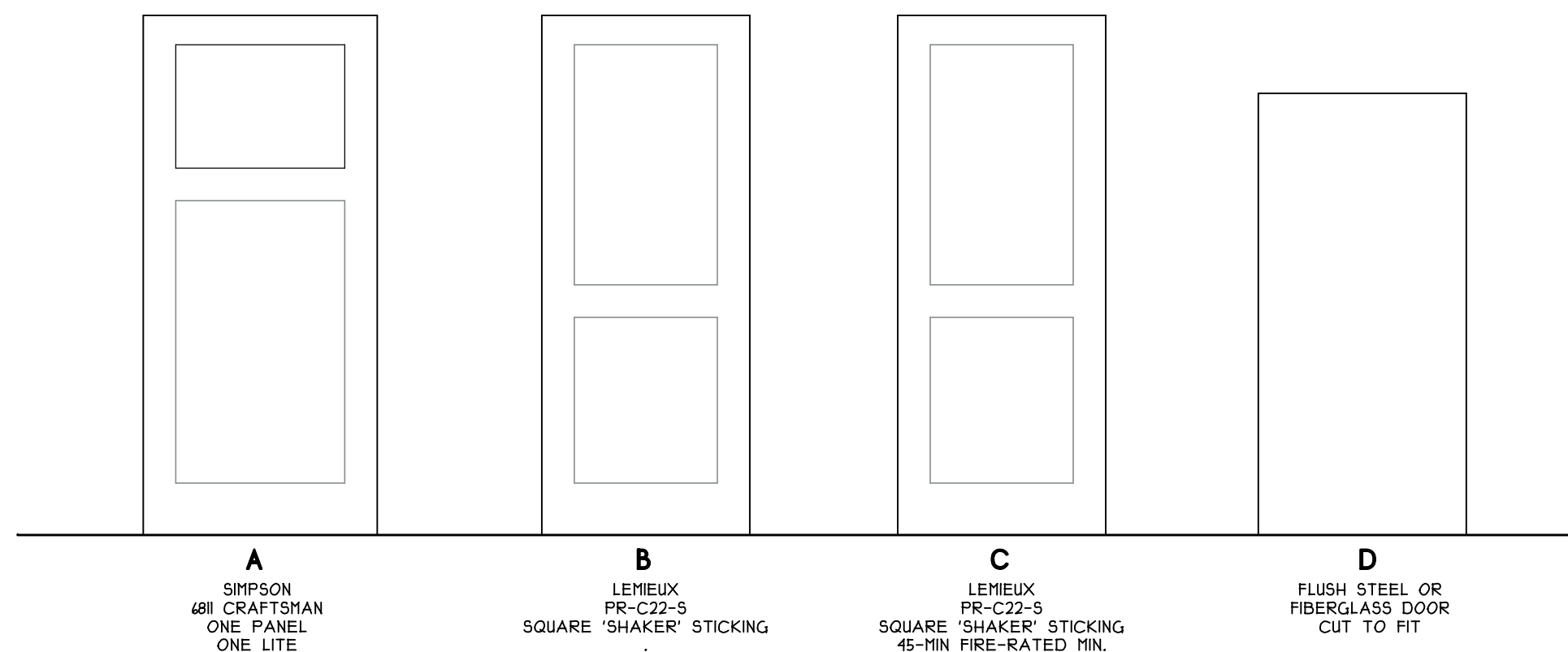
DOOR GENERAL NOTES

- CONTRACTOR TO SUBMIT DOOR ORDER TO OWNER/ARCHITECT FOR FINAL REVIEW AND COORDINATION BEFORE PURCHASING DOORS.
- REFER TO FLOOR PLANS FOR HANDING.

DOOR ABBREVIATIONS

EL ENTRY LOCK
 PL PRIVACY LOCK
 PS PASSAGE SET
 PTD PAINTED
 TBD TO BE DETERMINED

DOOR ELEVATIONS



FINISH SCHEDULE ABBREVIATIONS

CONC	CONCRETE
CT	CERAMIC TILE
ENG	ENGINEERED
GWB	GYPSON WALL BOARD
N/A	NOT APPLICABLE
PLYWD	PLYWOOD
PTD	PAINTED
SAC	SUSPENDED ACOUSTICAL CEILING PANELS
WD	WOOD

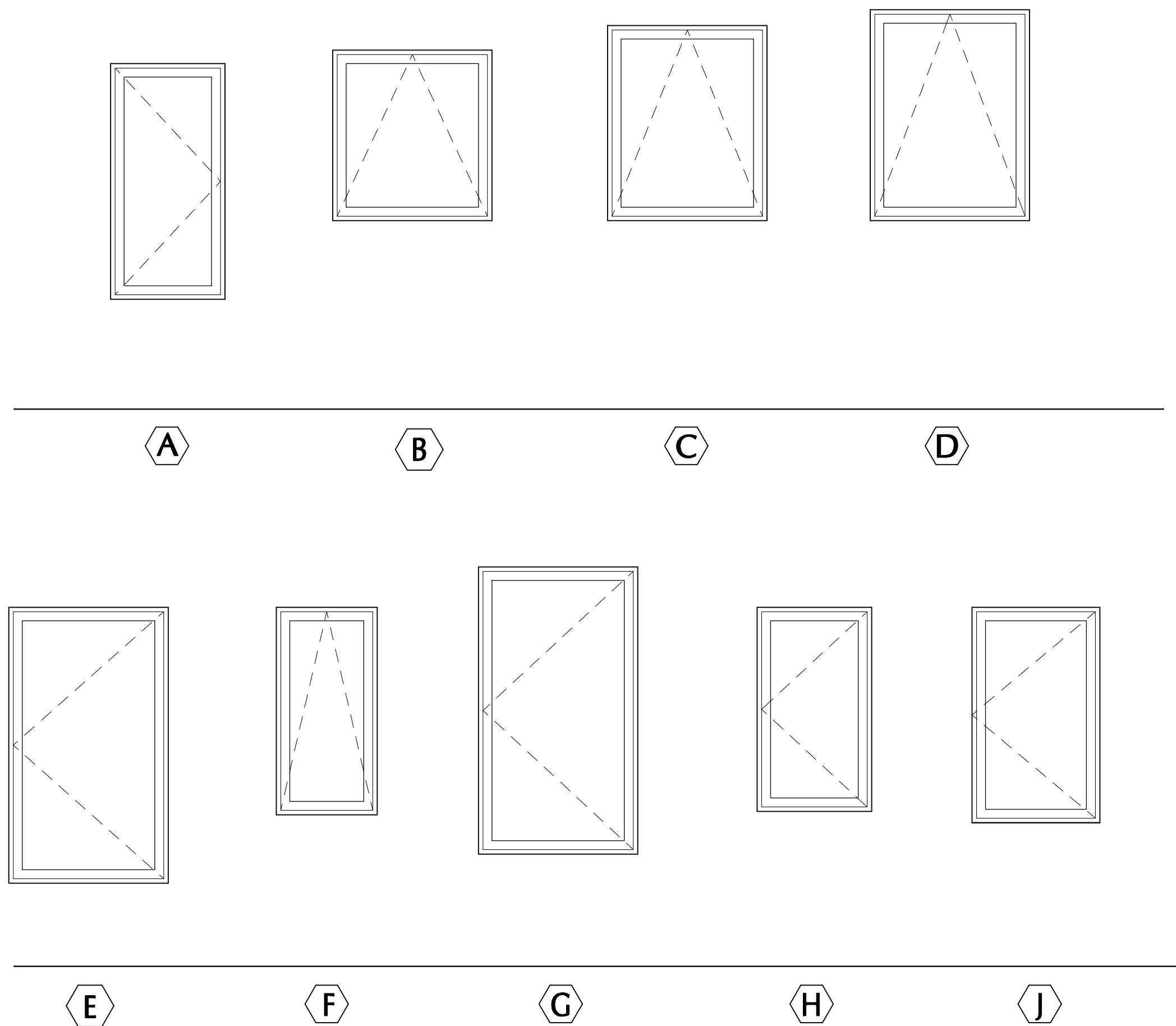
WINDOW SCHEDULE - BASED ON INTEGRITY ALL-ULTREX					
TAG	MODEL	TYPE	COLOR	APPROX. R.O.	REMARKS
A	CUSTOM	CASEMENT	-	2'-1 1/2" X 4'-1 1/2"	VERIFY ROUGH OPENING IN FIELD
B	CUSTOM	AWNING	-	2'-8 1/2" X 3'-2"	VERIFY ROUGH OPENING WIDTH IN FIELD; HEAD HEIGHT REMAINS THE SAME
C	CUSTOM	AWNING	-	2'-8 1/2" X 3'-1 1/2"	VERIFY ROUGH OPENING WIDTH IN FIELD; HEAD HEIGHT REMAINS THE SAME
D	CUSTOM	AWNING	-	2'-8 1/2" X 3'-0"	VERIFY ROUGH OPENING WIDTH IN FIELD; HEAD HEIGHT REMAINS THE SAME; TEMPERED GLASS AT STAIR
E	CUSTOM	CASEMENT	-	2'-8 1/2" X 5'-1 1/2"	VERIFY ROUGH OPENING IN FIELD; EGRESS
F	CUSTOM	AWNING	-	1'-10 1/2" X 3'-10"	VERIFY ROUGH OPENING IN FIELD; EGRESS
G	CUSTOM	CASEMENT	-	2'-8 1/2" X 5'-4"	VERIFY ROUGH OPENING IN FIELD; EGRESS
H	CUSTOM	CASEMENT	-	2'-1 1/2" X 3'-4"	VERIFY ROUGH OPENING IN FIELD
J	CUSTOM	CASEMENT	-	2'-4 1/2" X 3'-1 1/2"	ROUGH OPENING MODIFIED; HEAD HEIGHTS REMAINS THE SAME; EGRESS EGRESS SIZE ALLOWED PER PRE-114 REQUIREMENTS, SEE ATTACHED LETTER

WINDOWS ARE TO FIT EXISTING OPENINGS. FIELD VERIFY ROUGH OPENINGS. WHERE ROUGH OPENING IS MODIFIED, HEAD HEIGHT REMAINS THE SAME.

WINDOW PROJECT NOTES

- WINDOW INTERIORS TO BE PRE-PRIMED WHITE, EXTERIORS WHITE
- OPERABLE WINDOWS TO HAVE INTERIOR ALUM SCREENS, WHITE
- WINDOW HARDWARE SHALL BE INTEGRITY 'WHITE'

WINDOW TYPE ELEVATIONS



ROOM FINISH SCHEDULE

SEE INTERIOR ELEVATIONS FOR FURTHER INFORMATION ON FINISHES
 PROVIDE FIRE-RATED WALL ASSEMBLIES AS DESCRIBED ON PLANS AND SECTIONS.

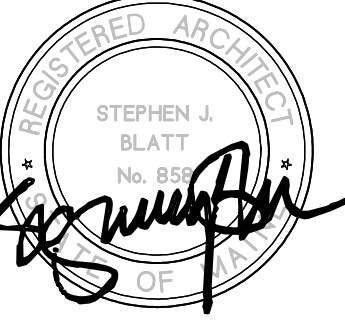
RM NO.	ROOM NAME	WALLS		FLOOR	BASE	CEILINGS		INTERIOR DOOR / WINDOW TRIM	INTERIOR WINDOW SASH FINISH	REMARKS
		MATL.	FINISH			MATL.	FINISH			
101	FOYER	GWB	PTD	HARDWOOD	IX4 WOOD, PTD	GWB	PTD	IX4 WOOD, PTD	N/A	-
102	LIVING/DINING	GWB	PTD	HARDWOOD	IX4 WOOD, PTD	GWB	PTD	IX4 WOOD, PTD	N/A	-
103	KITCHEN	GWB	PTD	HARDWOOD	IX4 WOOD, PTD	GWB	PTD	IX4 WOOD, PTD	N/A	-
104	HALL	GWB	PTD	HARDWOOD	IX4 WOOD, PTD	GWB	PTD	IX4 WOOD, PTD	N/A	-
105	BEDROOM 1	GWB	PTD	HARDWOOD	IX4 WOOD, PTD	GWB	PTD	IX4 WOOD, PTD	N/A	-
104	BEDROOM 2	GWB	PTD	HARDWOOD	IX4 WOOD, PTD	GWB	PTD	IX4 WOOD, PTD	N/A	-
107	BATH	GWB	PTD	LINOLEUM	IX4 WOOD, PTD	SAC	N/A	IX4 WOOD, PTD	N/A	-
108	MECH	GWB	PTD	HARDWOOD	IX4 WOOD, PTD	GWB	PTD	IX4 WOOD, PTD	N/A	-
109	STAIR	GWB	PTD	HARDWOOD	IX4 WOOD, PTD	GWB	PTD	IX4 WOOD, PTD	N/A	EXISTING STAIR TREADS / RISERS TO REMAIN
110	STAIR	GWB	PTD	HARDWOOD	IX4 WOOD, PTD	GWB	PTD	IX4 WOOD, PTD	N/A	EXISTING STAIR TREADS / RISERS TO REMAIN
201	NOT USED								N/A	-
202	LIVING/DINING	GWB	PTD	HARDWOOD	IX4 WOOD, PTD	GWB	PTD	IX4 WOOD, PTD	N/A	-
203	KITCHEN	GWB	PTD	HARDWOOD	IX4 WOOD, PTD	GWB	PTD	IX4 WOOD, PTD	N/A	-
204	HALL	GWB	PTD	HARDWOOD	IX4 WOOD, PTD	GWB	PTD	IX4 WOOD, PTD	N/A	-
205	BEDROOM 1	GWB	PTD	HARDWOOD	IX4 WOOD, PTD	GWB	PTD	IX4 WOOD, PTD	N/A	-
204	BEDROOM 2	GWB	PTD	HARDWOOD	IX4 WOOD, PTD	GWB	PTD	IX4 WOOD, PTD	N/A	-
207	BATH	GWB	PTD	LINOLEUM	IX4 WOOD, PTD	GWB	PTD	IX4 WOOD, PTD	N/A	-
208	BEDROOM 3	GWB	PTD	HARDWOOD	IX4 WOOD, PTD	GWB	PTD	IX4 WOOD, PTD	N/A	-
209	STAIR	GWB	PTD	HARDWOOD	IX4 WOOD, PTD	GWB	PTD	IX4 WOOD, PTD	N/A	EXISTING STAIR TREADS / RISERS TO REMAIN
210	STAIR	GWB	PTD	HARDWOOD	IX4 WOOD, PTD	GWB	PTD	IX4 WOOD, PTD	N/A	EXISTING STAIR TREADS / RISERS TO REMAIN

14 ALBA STREET
 APARTMENTS
 Portland, Maine

Revisions

Stephen Blatt
 Architects

5 South Street
 Post Office Box
 583 DTS
 Portland, Maine
 04112-0583
 Voice:
 207.761.5911
 Email:
 sbl@searchitects.com



Consultants
 Structural Engineer
 PINKHAM & GREER

Job No.: 16.05
 Date: MARCH 18, 2016
 Scale: AS NOTED
 Drawn by: DRC
 Checked by: SIB

Drawing Title:
SCHEDULES

A6.1

CONSTRUCTION SET