

City of Portland, Maine - Building or Use Permit Application

389 Congress Street, 04101 Tel: (207) 874-8703, Fax: (207) 874-8716

Permit No: 06-0821	Issue Date: 06/02/2006	GBL: 33 CD10001
-----------------------	---------------------------	--------------------

Location of Construction: 40 LELAND ST	Owner Name: OSHANA DAVID J & ANDREA J	Owner Address: 1501 FOREST AVE 9002	Phone:
Business Name:	Contractor Name: Eric Flink	Contractor Address: Portland	Phone:
Lessee/Buyer's Name	Phone:	Permit Type: HVAC	Zone:

Past Use: Residential 4 unit	Proposed Use: Residential 4 unit install a Peerless boiler in basement w/275 gal tank	Permit Fee: \$93.00	Cost of Work: \$8,000.00	CEO District: 5
--	---	-------------------------------	------------------------------------	---------------------------

Proposed Project Description: Install a Peerless boiler in basement w/ 275 gal tank	FIRE DEPT: <input checked="" type="checkbox"/> Approved <input type="checkbox"/> Denied TO: NFPA 30 Signature: <i>Greg Carr</i>	INSPECTION: Use Group: HVAC Type: Signature: <i>[Signature]</i>
PEDESTRIAN ACTIVITIES DISTRICT (P.A.D.) Action: <input type="checkbox"/> Approved <input type="checkbox"/> Approved w/Conditions <input type="checkbox"/> Denied Signature: _____ Date: _____		

Permit Taken By: dmartin	Date Applied For: 06/02/2006	Zoning Approval	
------------------------------------	--	------------------------	--

1. 2. Building permits do not include plumbing, septic or electrical work. 3. Building permits are void if work is not started within six (6) months of the date of issuance. False information may invalidate a building permit and stop all work..	Special Zone or Reviews <input type="checkbox"/> Shoreland <input type="checkbox"/> Wetland <input type="checkbox"/> Flood Zone <input type="checkbox"/> Subdivision <input type="checkbox"/> Site Plan Maj <input type="checkbox"/> Minor <input type="checkbox"/> MM <input type="checkbox"/> late: _____	Zoning Appeal <input type="checkbox"/> Variance <input type="checkbox"/> Miscellaneous <input type="checkbox"/> Conditional Use <input type="checkbox"/> Interpretation <input type="checkbox"/> Approved <input type="checkbox"/> Denied late: _____	Historic Preservation <input type="checkbox"/> Not in District or Landmark <input type="checkbox"/> Does Not Require Review <input type="checkbox"/> Requires Review <input type="checkbox"/> Approved <input type="checkbox"/> Approved w/Conditions <input type="checkbox"/> Denied Date: _____
--	---	---	---

CERTIFICATION

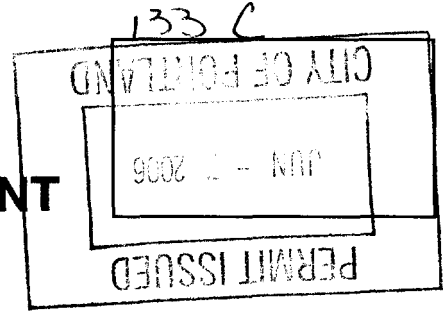
I hereby certify that I am the owner of record of the named property, or that the proposed work is authorized by the owner of record and that I have been authorized by the owner to make this application as his authorized agent and I agree to conform to all applicable laws of this jurisdiction. In addition, if a permit for work described in the application is issued, I certify that the code official's authorized representative shall have the authority to enter all areas covered by such permit at any reasonable hour to enforce the provision of the code(s) applicable to such permit.

SIGNATURE OF APPLICANT	ADDRESS	DATE	PHONE
RESPONSIBLE PERSON IN CHARGE OF WORK, TITLE		DATE	PHONE



FILL IN AND SIGN WITH INK

APPLICATION FOR PERMIT HEATING OR POWER EQUIPMENT



To the INSPECTOR OF BUILDINGS, PORTLAND, ME.

Friday LPO

The undersigned hereby applies for a permit to install the following heating, cooking or power equipment in accordance with the Laws of Maine, the Building Code of the City of Portland, and the following specifications:

Location / CBL 40 Le'ard St. 133 C10 Use of Building 4 units Date 5.30.06
Name and address of owner of appliance Dave Oshana 1500 Forest + ME 04105

Installer's name and address 358 PEEBLE ST South Portland 04106 Telephone 741-2848

Location of appliance:

- Basement
- Attic
- Floor
- Roof

Type of Fuel:

- Gas
- Oil
- Solid

Appliance Name: Pressure Boiler

U.L. Approved Yes No

Will appliance be installed in accordance with the manufacture's installation instructions? Yes No

IF NO Explain: _____

The Type of License of Installer:

- Master Plumber # _____
- Solid Fuel # _____
- Oil # MS20005928
- Gas # _____
- Other _____

Type of Chimney:

- Masonry Lined
Factory built _____
- Metal
Factory Built U.L. Listing # _____
- Direct Vent
Type Chimney UL# _____

Type of Fuel Tank

- Oil
- Gas

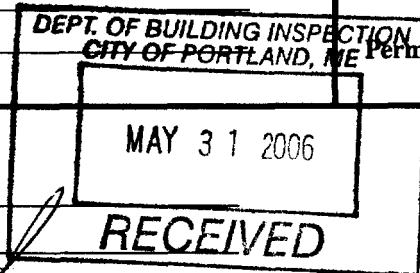
Size of Tank 275

Number of Tanks 1

Distance from Tank to Center of Flame 7' feet.

Cost of Work: \$ 8,000
Permit Fee: \$ 43.00

Approved



Approved with Conditions

Fire: _____

Ele.: _____

Bldg.: _____

See attached letter or requirement

Inspector's Signature

Date Approved

Signature of Installer

White - Inspection

Yellow - File

Pink - Applicant's

Gold - Assessor's Copy

#4049

STATE OF MAINE CHIMNEY OR FIREPLACE CONSTRUCTION/INSTALLATION DISCLOSURE

Dear Consumer: State law, specifically 32 M.R.S.A. § 2313-A, requires that chimney or fireplace installers, as of January 1, 1992, provide you with this "Disclosure" prior to the installation or construction of your chimney or fireplace. The purpose of this Disclosure is to inform you that the National Fire Protection Standard #211 (NFPA #211) is the current standard which applies to all new construction of chimneys and fireplaces. Please note that the State of Maine does not require registration or licensure of chimney or fireplace installers. It is important to realize that many fires are caused each year from improperly constructed fireplaces and chimneys. This disclosure form should help you in making an informed decision as to the abilities of the installer and under what requirements the installation must comply.

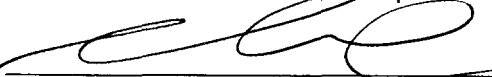
Name of Installer: MATHEW MILLIKEN		D/B/A: (SAME)	
Name of Installer (if incorporated):		D/B/A:	
Legal Address: 40 LELAND ST			
City: PORTLAND	State: ME	Zip Code: 04103	
County: CUMBERLAND	Home Telephone: (207) 828-4879		
	Work Telephone: (207) 741-1696		
Years of experience doing fireplace or chimney installations: 16			

CONSUMER INFORMATION

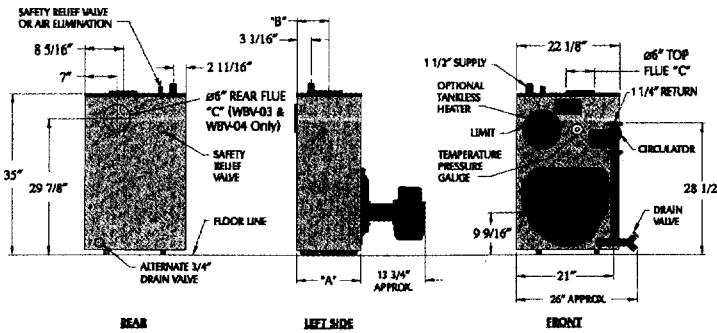
Name of Consumer: DAVID OSHANA		
Mailing Address: 1501 FOREST AVE (for CHIMNEY @ 40 LELAND ST)		
City: PORTLAND	State: ME	Zip Code: 04103
County: CUMBERLAND	Home Telephone: (207) 772-3610	
	Work Telephone: () -	

Installer, please give a brief description of installation being offered: _____
MASONRY CHIMNEY / 8x8 FLUE TILE FOR FURNACE
#12x12 FLUE TILE FOR FIREPLACE

I hereby attest that the preceding information provided is true to the best of my knowledge. I also understand that if I fail to conform with the standards as outlined in NFPA #211 that I shall be subject to penalties as outlined in Title 32, M.R.S.A., Chapter 33 and the Oil and Solid Fuel Board Rules.

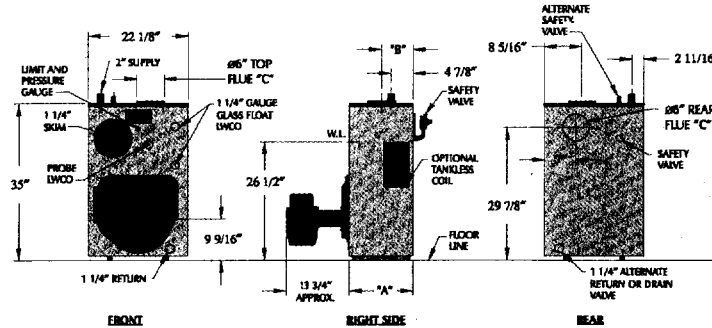
Signature of Installer:  Date: **5-30-06**

Technical Information



WBV/WW Water Boiler

WBV Steam Boiler



Boiler Model Number	Jacket Depth "A"	Rear of Jacket to C/L of Top Flue Outlet	Top/Rear Flue Size
WBV-03	14 1/8"	7 1/16"	6"
WBV-04	18 W	9 1/16"	6"
w-05	22 1/8"	11 1/16"	7" (Top Only)

Crate Dimensions & Shipping Weights

Boiler Model Number	Length		Width	Height	Approx. Shipping Weight (lbs.)							
	WPC, WPCT, WPCO	SP-SPT			WPC, WPCT, SP-SPT	Knockdown				Package		
			W	WU		S	SU	WPC	WPCT	SP	SPT	
WBV-03	35"	43"	28 3/4"	30 3/4"	470	485	535	550	566	575	573	584
WBV-04	43"	40"	28 3/4"	30 3/4"	590	605	650	665	694	708	685	696
WV-05	43"	-	28 1/2"	30 3/4"	710	725	-	-	805	813	-	-



CAST IRON BOILERS

Peerless Heater Company

231 North Walnut Street • Boyertown, PA 19512-1021

Phone: 610-367-2153 • www.peerless-heater.com



Installed By:

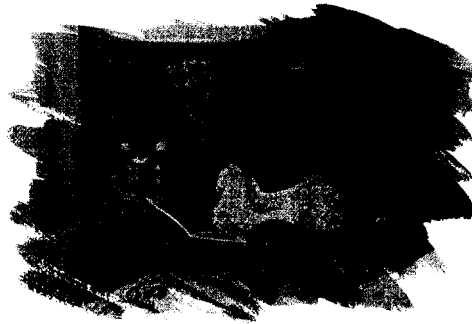
Complete Warranty Program

Peerless Heater Company believes that the customer's peace of mind is very important. To help develop that security, Peerless has created a comprehensive warranty program for residential cast iron boilers. Peerless' warranties are "full cost" warranties (up to the original cost of the boiler), rather than the prorated warranties currently offered by other boiler manufacturers. Peerless' warranty coverage does not decrease with time, rather, it remains complete for the entire length of the warranty. Customers can rest easy, knowing that their new Peerless cast iron boiler will provide years of dependable home heating comfort.

All Peerless residential cast iron boilers include a full one-year warranty. The Series WBV/WV water boilers

have a **limited, lifetime warranty** on the cast iron sections. Peerless also provides a **limited, ten-year warranty** on the cast iron sections of its residential steam boilers. **Five and ten year extended warranties** on parts and labor are also available.

This summary is not a specific warranty. Consult Peerless for complete details on all of our cast iron boiler warranties. All written warranties are available from Peerless Heater Company.



Product Ratings

Series WBV/WV Boiler Ratings

Boiler Model Number	Burner Input		DOE Heating Capacity MBH ¹		Net I=B=R Ratings ²			Seasonal Efficiency (AFUE) ³		Water Content (Gallons)		Minimum Draft Req. Stack W.C.
	GPH ¹	MBH	Water	Steam	Steam Sq. Ft.	Steam MBH ¹	Water MBH ¹	Water	Steam	Water	steam	
WBV-03	0.60+ ⁴	84	74	N/A	N/A	N/A	64	86.1%*	N/A	11.75	N/A	-.03
WBV-03	0.85	119	102	101	317	76	89	83.8%	83.1%	11.75	12.00	-.04
WBV-03	1.10	154	129	129	404	97	112	81.9%	82.0%	11.75	12.00	-.05
WBV-04	0.95+ ⁴	133	116	N/A	N/A	N/A	101	86.1%*	N/A	14.75	N/A	-.03
WBV-04	1.25	175	150	149	467	112	130	83.9%	83.0%	14.75	14.87	-.04
WBV-04	1.50	210	178	177	554	133	155	82.8%	82.2%	14.75	14.87	-.05
WV-05†	1.75	245	209	N/A	N/A	N/A	182	84.0%	N/A	17.75	N/A	-.05
WV-05†	2.00	280	237	N/A	N/A	N/A	206	83.1%	N/A	17.75	N/A	-.06

* As an ENERGY STAR Partner, Peerless Heater Company has determined that these firing rates meet the ENERGY STAR guidelines for energy efficiency.

† Top venting only.

+ Nozzles for these firing rates not provided as standard equipment. Consult factory for price and availability.

⊕ This firing rate can only be achieved with a Riello F-3 burner. Consult Peerless for details.

1 Burner input based on No. 2 fuel oil with a heating value of 140,000 Btu per gallon.

2 Net I=B=R water ratings based on an allowance of 1.15.

3 Net I=B=R steam ratings based on an allowance of 1.333.

4 Consult factory before selecting a boiler for installations having unusual piping and pickup requirements, such as intermittent system operation, extensive piping systems, etc.

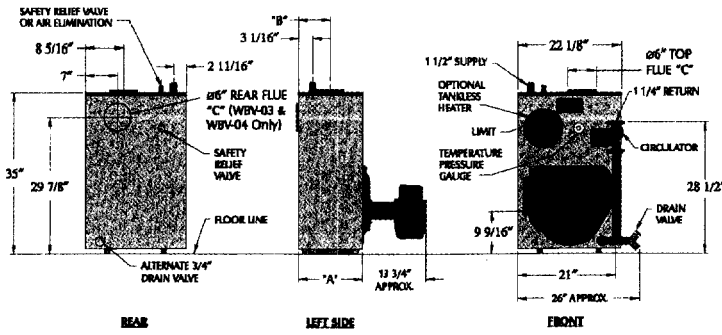
5 Heating Capacity and Annual Fuel Utilization Efficiency (AFUE) ratings are based on U.S. Government tests, with 13% CO₂ and -0.02" w.c. draft over fire. Before purchasing this appliance, read important information about its estimated annual energy consumption or energy efficiency rating that is available from your retailer.

6 Chimney Size: 8" x 8" x 15 ft.

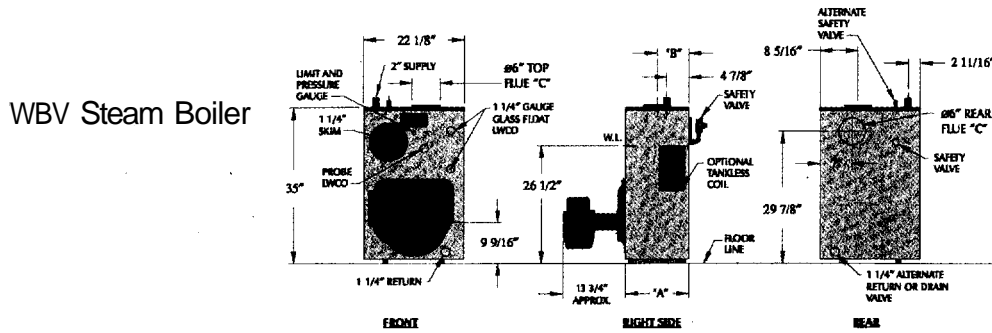
A quality casting is the foundation for all Peerless cast iron boilers.



Technical Information



WBV/WW Water Boiler



WBV Steam Boiler

Boiler Model Number	Jacket Depth "A"	Rear of Jacketto C/L of Top Flue Outlet "B"	Top/Rear Flue Size "C"
WBV-03	14 1/8"	7 1/16"	6"
WBV-04	18 1/8"	9 1/16"	6"
WW-05	22 1/8"	11 1/16"	7" (Top Only)

Crate Dimensions & Shipping Weights

Boiler Model Number	Length		Width	Height	Approx. Shipping Weight (lbs.)							
	WPC, WPCT, WPCO	SP-SPT			WPC, WPCT, SP-SPT	WPC, WPCT, SP-SPT	Knockdown				Package	
			W	WU			S	SU	WPC	WPCT	SP	SPT
WBV-03	35"	40"	28 1/2"	39 3/4"	470	485	535	550	566	575	573	584
WBV-04	43"	40"	28 1/2"	39 3/4"	590	605	650	665	694	708	685	696
WW-05	43"	—	28 1/2"	39 3/4"	710	725	—	—	805	813	—	—



CAST IRON BOILERS

Peerless Heater Company

231 North Walnut Street • Boyertown, PA 19512-1021

Phone: 610-367-2153 • www.peerless-heater.com



Installed By: