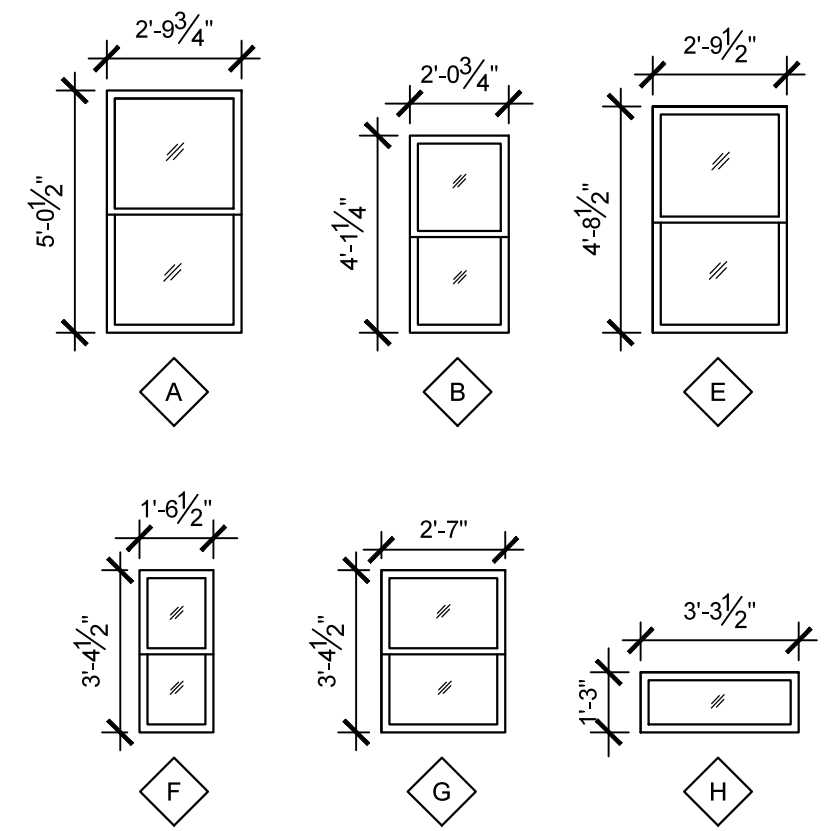


DOOR SCHEDULE																
MARK	LOCATION	DESCRIPTION	DOOR				FRAME						HARDWARE	FIRE	REMARKS	
			WIDTH	HEIGHT	THICK	MATERIAL	TYPE	MATERIAL	TYPE	HEAD	JAMB	SILL				THROAT WIDTH
106A	PROCESSING	EXTERIOR	3'-0"	6'-0"	1 1/2"	HM	A	HM	F1							*FIELD VERIFY DOOR + FRAME SIZE PRIOR TO ORDER
106B	PROCESSING	INTERIOR FLUSH WOOD	3'-0"	7'-0"	1 1/2"	FULL LIGHT	B	HM	F2	H1	J1					
106C	OFFICE	EXISTING EXTERIOR	3'-0"	7'-0"	1 1/2"	HM	C	EXIST	EXIST	-	-	-				INSTALL 1" INSULATED GLASS KIT IN EXISTING DOOR
106D	PROCESSING	BI-SWING DOOR, FLUSH FRAME	3'-0"	6'-8"	1 1/2"	SC WOOD	D	HM	F3	H2	J2					PAIRED
201A	UPPER STAIR HALL	INTERIOR FLUSH WOOD	3'-0"	7'-0"	1 1/2"				F1	H1	J3					SALVAGED FROM HALL (112), USE PANIC HARDWARE FROM SALVAGED DOOR
002A	EMR		3'-0"	6'-8"	1 1/2"	HM	A	HM	F1	H1	J3					60 MIN

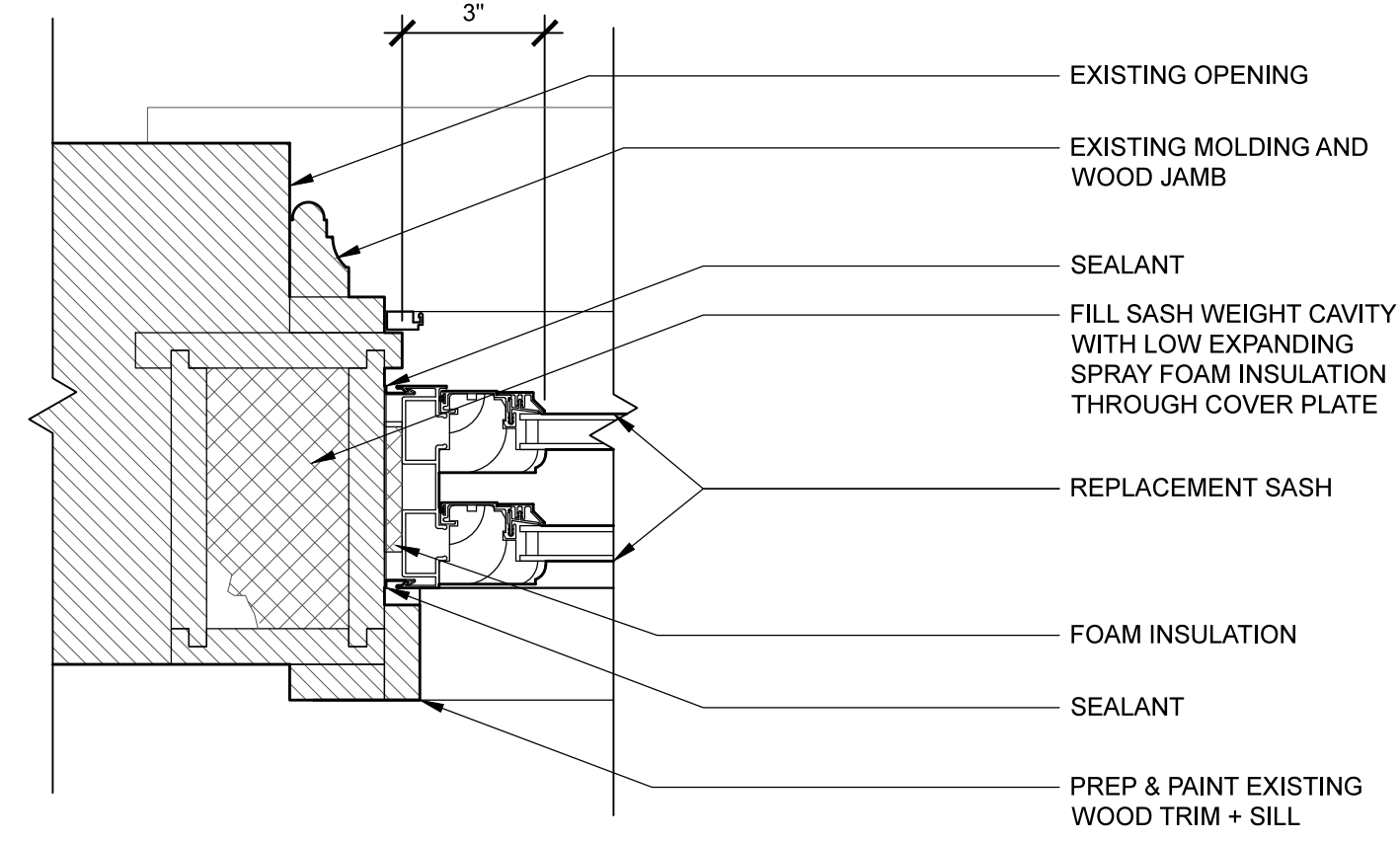
GENERAL NOTES:
 1. GENERAL CONTRACTOR TO CONFIRM ALL JAMB DEPTH DIMENSIONS PRIOR TO PLACING DOOR/FRAME ORDER.
 2. ALL GLASS TO BE TEMPERED AS REQUIRED BY CODE.
 3. CONFIRM CLEAR OPENING DIMENSIONS AT ALL EXTERIOR DOORS. VERIFY COMPLIANCE WITH ADA.

WINDOW SCHEDULE: ALTERNATE #1											
TYPE	MFR	OPERATION	SASH SIZE		JAMB	DETAILS			SCREEN	GLAZING	REMARKS
			W	H		HEAD	JAMB	SILL			
A		DOUBLE HUNG	2'-9 3/4"	5'-0 1/2"	VIF				YES		
B		DOUBLE HUNG	2'-0 3/4"	4'-1 1/4"	VIF				YES		
E		DOUBLE HUNG	2'-9 1/2"	4'-8 1/2"	VIF				YES		
F		DOUBLE HUNG	1'-6 1/2"	3'-4 1/2"	VIF				YES (?)		
G		DOUBLE HUNG	2'-7"	3'-4 1/2"	VIF				YES		
H		FIXED CASEMENT	3'-3 1/2"	1'-3"	VIF				NO		

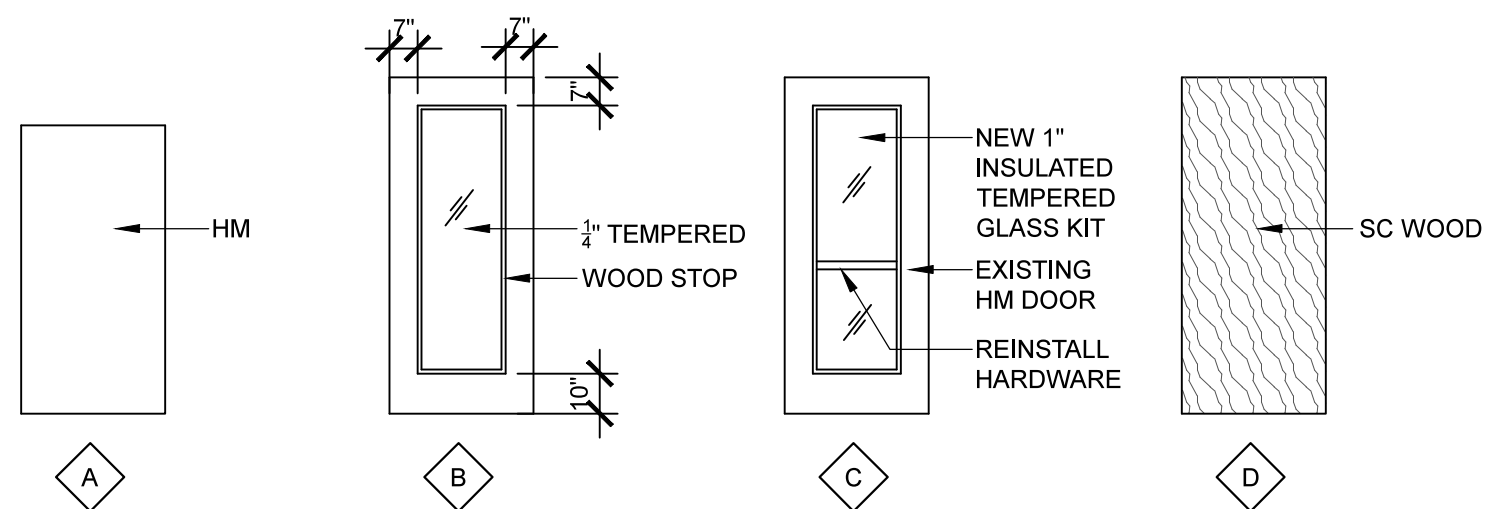
GENERAL NOTES:
 1.
 2.
 3.



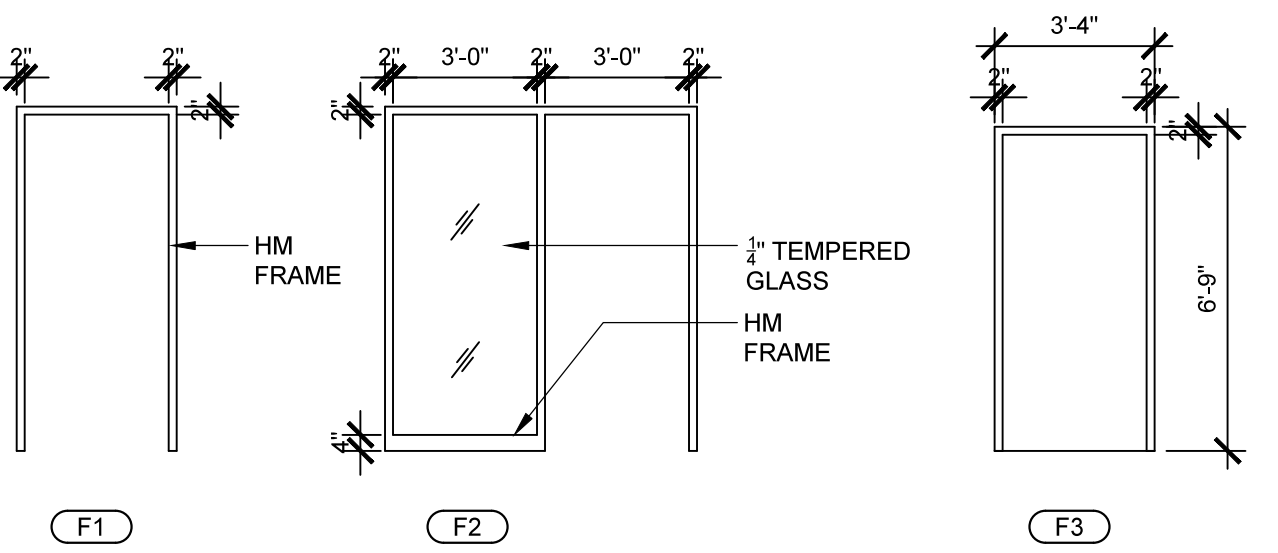
2 Window Types Alternate #1
 SCALE: 1/4" = 1'-0"



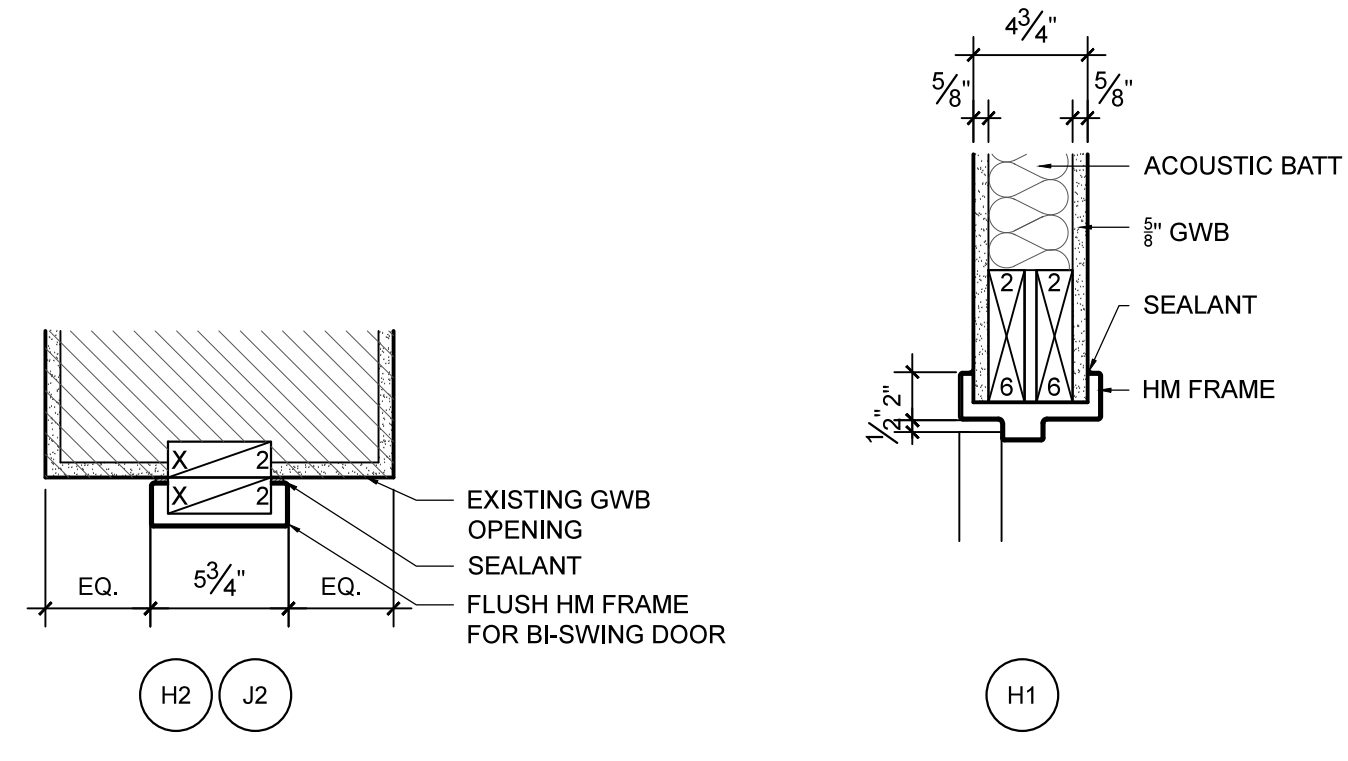
5 Double Hung Jamb Detail, Typ. (Alternate #1)
 SCALE: 3" = 1'-0"



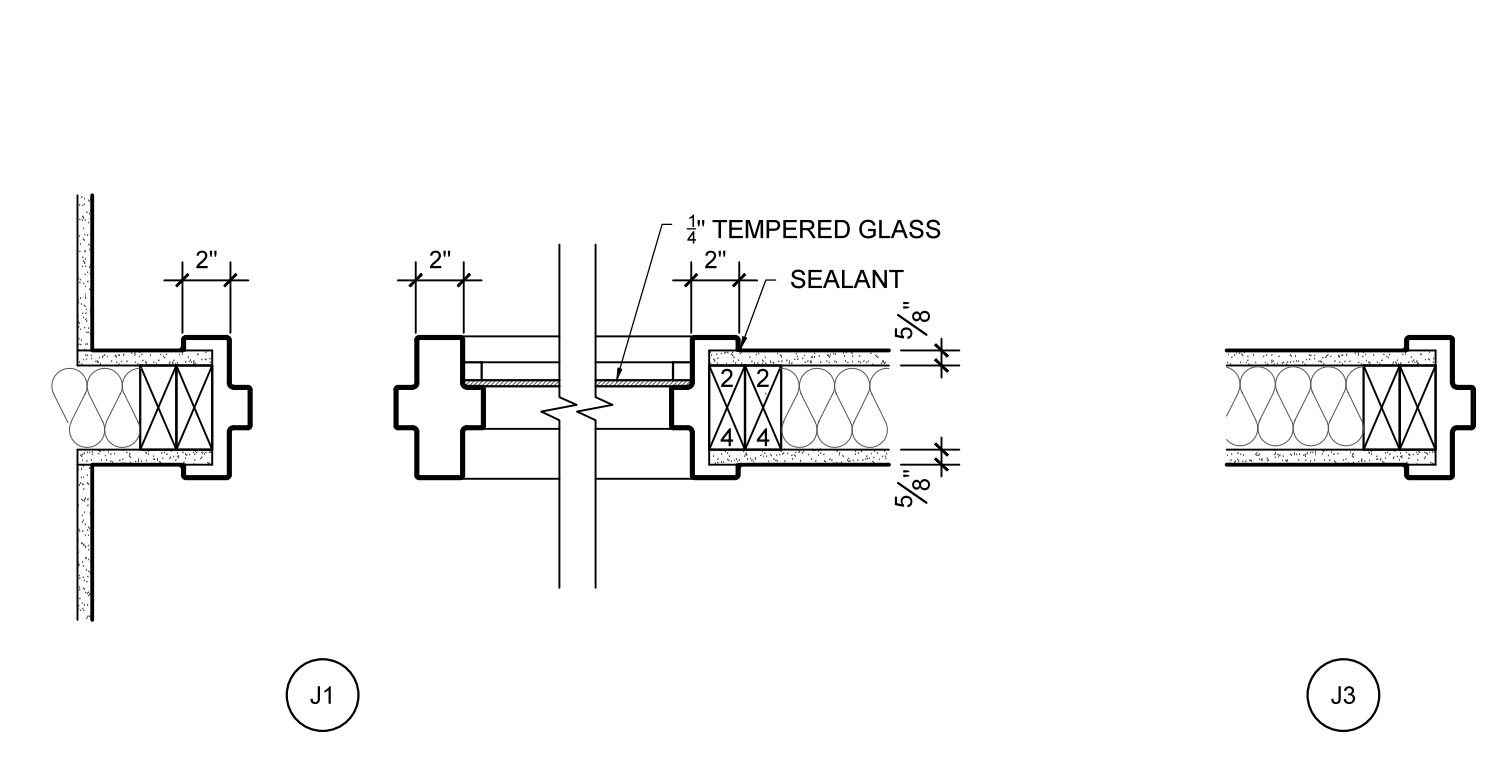
3 Door Types
 SCALE: 1/4" = 1'-0"



4 Door Frame Types
 SCALE: 1/4" = 1'-0"



6 Head and Jamb Details
 SCALE: 1 1/2" = 1'-0"



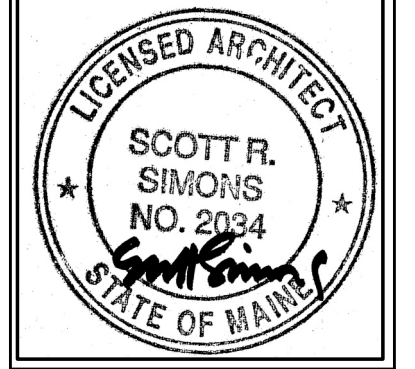
LDD PROJECT NAME:
 N/A
 DRAWING NAME:
 FIELD BOOK USED:
 N/A

Scott Simons Architects
 75 York Street, Portland, Maine 04101
 www.scottsimonsarchitects.com
 207.772.4656
 424 Fore Street
 Portland, Maine 04101
 Fax 207.842.2828
 www.cascobayengineering.com



REFERENCES:

DESIGNED BY: AKS
 DRAWN BY: KC
 CHECKED BY: AKS
 SCALE: AS SHOWN
 DATE: 10/16/15



PORTLAND PUBLIC LIBRARY
 BURBANK BRANCH
 377 Stevens Avenue
 Deering Center
 Portland, Maine 04103

CITY OF PORTLAND, MAINE
 Addition + Renovation for
 The Burbank Branch Library
 ISSUED FOR BIDDING

DOOR AND WINDOW SCHEDULE

SHEET # **A601**
 PLAN NUMBER