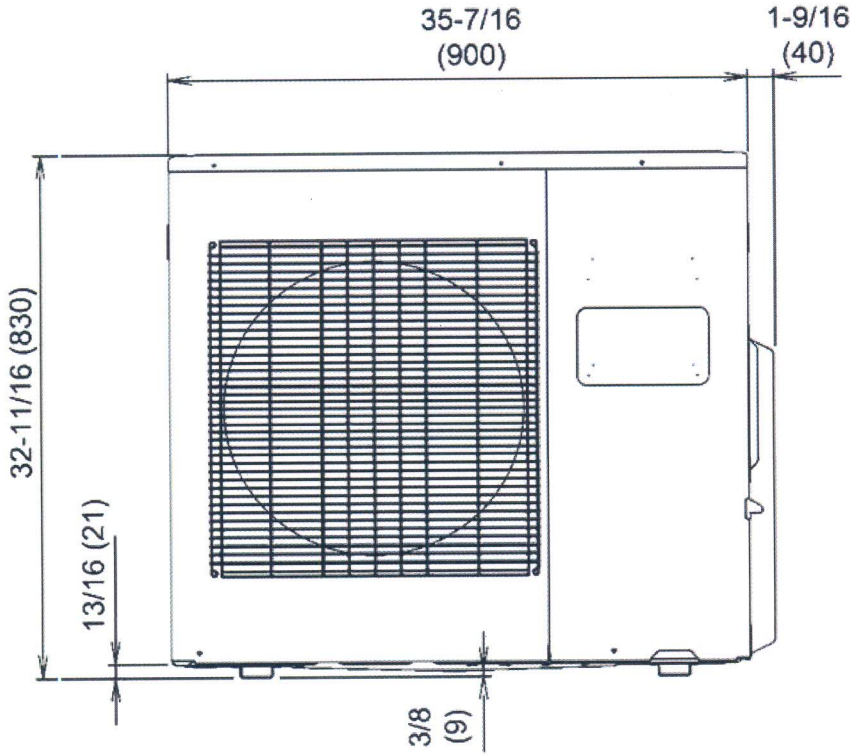
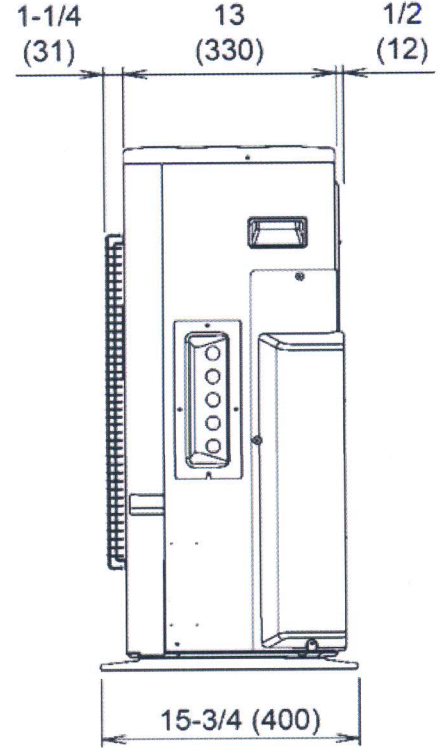


Dimensions: 24RLXFZH

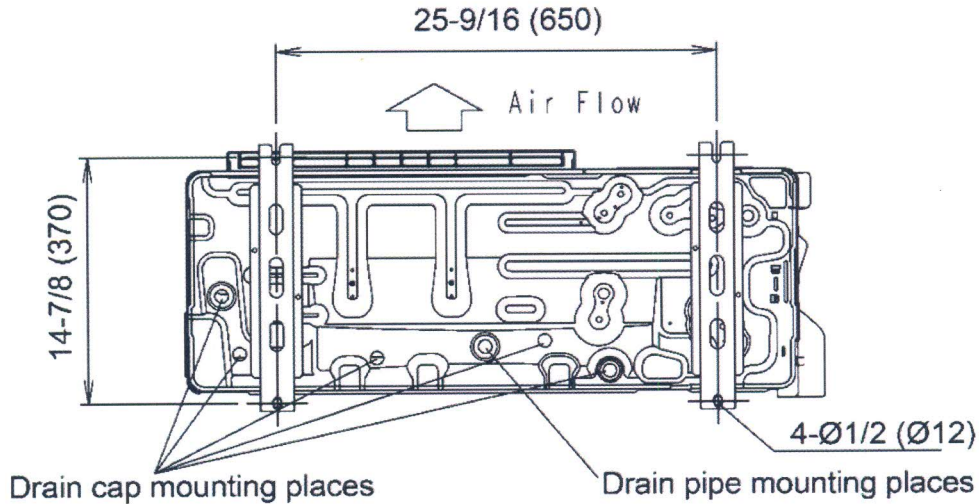
[Unit: in. (mm)]



Front view



Side view



Bottom view

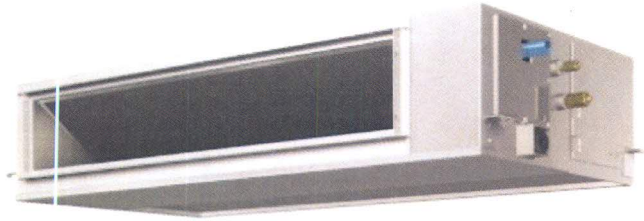


Submittal Data Sheet
2.0-Ton DC Ducted Unit
FBQ24PVJURZQ24PVJU9

FEATURES

- Medium external static pressure (ESP) capabilities up to 0.8 in. W.G.
- Three user selected fan speeds available plus fan "Auto" logic
- Built-in condensate pump
- Maximum piping length up to 164 ft. allows flexible placement of indoor unit
- Maximum piping height separation up to 98 ft.
- 10 year limited parts and compressor warranty

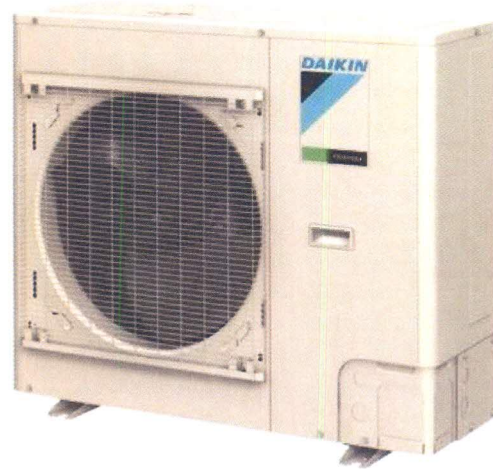
INDOOR UNIT



BENEFITS

- DC fan motor provides improved efficiency
- Bottom access for easy service
- Low ambient cooling operation down to 0°F (with optional wind baffle(s))

OUTDOOR UNIT





Submittal Data Sheet

2.0-Ton DC Ducted Unit

FBQ24PVJURZQ24PVJU9

SYSTEM PERFORMANCE			
Indoor Unit Model No.	FBQ24PVJU	Indoor Unit Name:	SKYAIR DC DUCTED
Outdoor Unit Model No.	RZQ24PVJU9	Outdoor Unit Name:	2.0-Ton SkyAir Heat Pump
Rated Cooling Capacity (Btu/hr):	24,000	Rated Cooling Conditions:	Indoor (°F DB/WB): 80 / 67 Ambient (°F DB/WB): 95 / 75
Sensible Capacity (Btu/hr):	18,700	Rated Piping Length(ft):	
Max/Min Cooling Capacity (Btu/hr):	/	Rated Height Difference (ft):	98.00
Cooling Input Power (kW):	2.120	Rated Heating Conditions:	Indoor (°F DB/WB): 70 / 70 Ambient (°F DB/WB): 47 / 43
SEER (Non-Ducted/Ducted):	16.50 /	HSPF (Non-Ducted/Ducted):	10.5 /
EER (Non-Ducted/Ducted):	12.00 /	Heating COP (Non-Ducted/Ducted):	2.2 /
Rated Heating Capacity (Btu/hr):	27,000		
Heating Input Power (kW):	2.12		

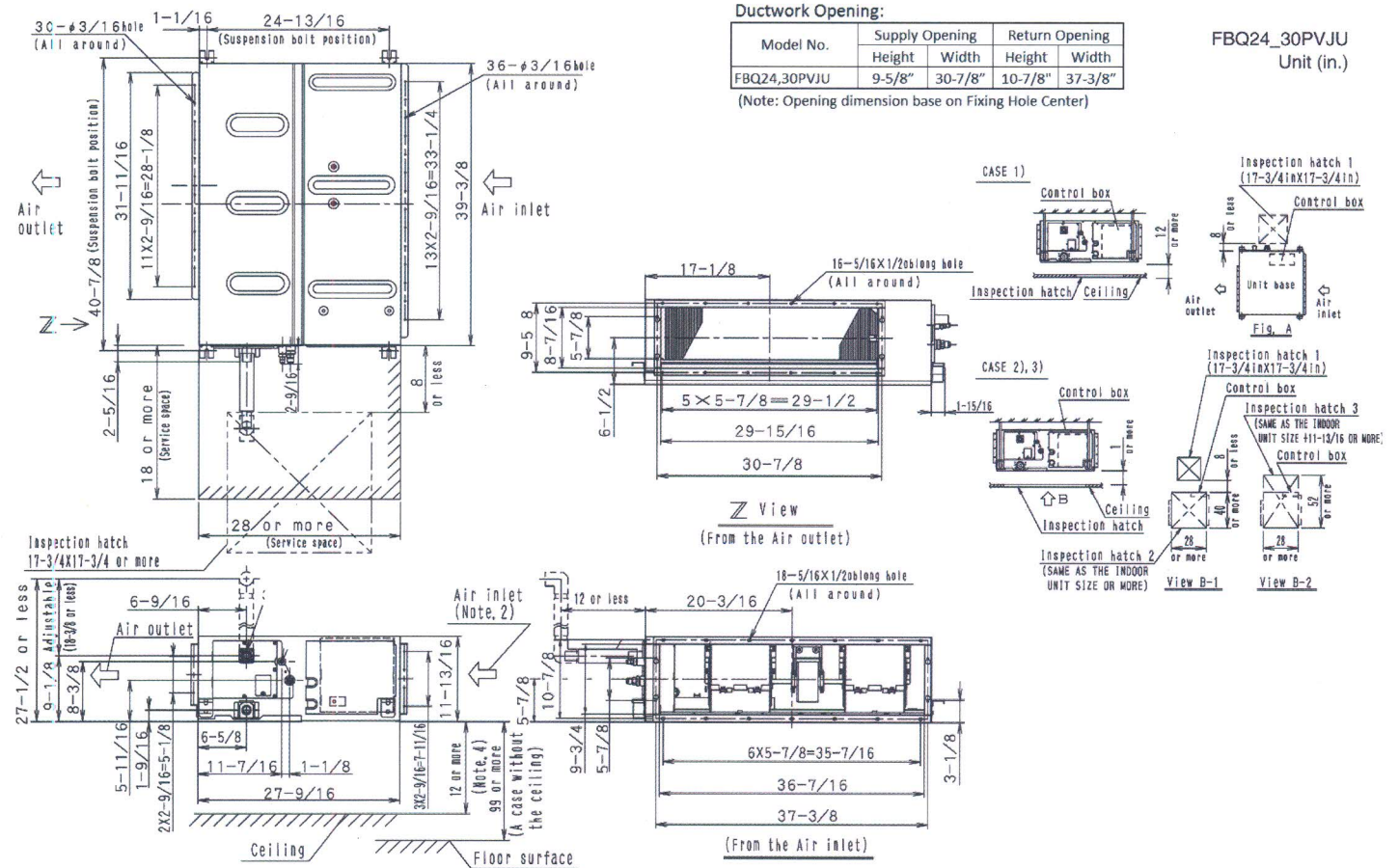
SYSTEM DETAILS			
Refrigerant Type:	R-410A	Cooling Operation Range (°F DB):	23 - 115
Holding Refrigerant Charge (lbs):	5.1	Heating Operation Range (°F WB):	0 - 77
Additional Charge (lb/ft):	0.04	Max. Pipe Length (Vertical) (ft):	
Pre-charge Piping (Length) (ft):		Cooling Range w/Baffle (°F DB):	0 - 115
Max. Pipe Length (Total) (ft):	164	Heating Range w/Baffle (°F WB):	0 - 77
Max Height Separation (Ind to Ind ft):	98		



Submittal Data Sheet
2.0-Ton DC Ducted Unit
FBQ24PVJURZQ24PVJU9

INDOOR UNIT DETAILS			
Power Supply (V/Hz/Ph):	208-230 / 60 / 1	Airflow Rate (H/M/L) (CFM):	688/618/565
Power Supply Connections:	L1, L2, Ground	Moisture Removal (Gal/hr):	
Min. Circuit Amps MCA (A):	1.80	Gas Pipe Connection (inch):	5/8
Max Overcurrent Protection (MOP) (A):		Liquid Pipe Connection (inch):	3/8
Dimensions (HxWxD) (in):	11-13/16 x 39-3/8 x 27-9/16	Condensate Connection (inch):	1
Panel (HxWxD) (in):		Sound Pressure (H/M) (dBA):	42/40
Net Weight (lb):	80	Sound Power Level (dBA):	
Panel Weight (lb):		Ext. Static Pressure (Rated/Max) (inWg):	0.80 / 0.80

DIMENSIONAL DRAWING - INDOOR UNIT





Submittal Data Sheet

2.0-Ton DC Ducted Unit

FBQ24PVJURZQ24PVJU9

OUTDOOR UNIT DETAILS			
Power Supply (V/Hz/Ph):	208-230 / 60 / 1	Compressor Type:	Inverter
Power Supply Connections:	L1, L2, Ground	Capacity Control Range (%):	30 - 100
Min. Circuit Amps MCA (A):	16.50	Airflow Rate (H) (CFM):	1,835
Max Overcurrent Protection (MOP) (A):	20.00	Gas Pipe Connection (inch):	5/8
Max Starting Current MSC(A):		Liquid Pipe Connection (inch):	3/8
Rated Load Amps RLA(A):	10.3	Sound Pressure (H) (dBA):	49
Dimensions (HxWxD) (in):	30-5/16 x 35-7/16 x 12-5/8	Sound Power Level (dBA):	
Net Weight (lb):	150		

DIMENSIONAL DRAWING - OUTDOOR UNIT

