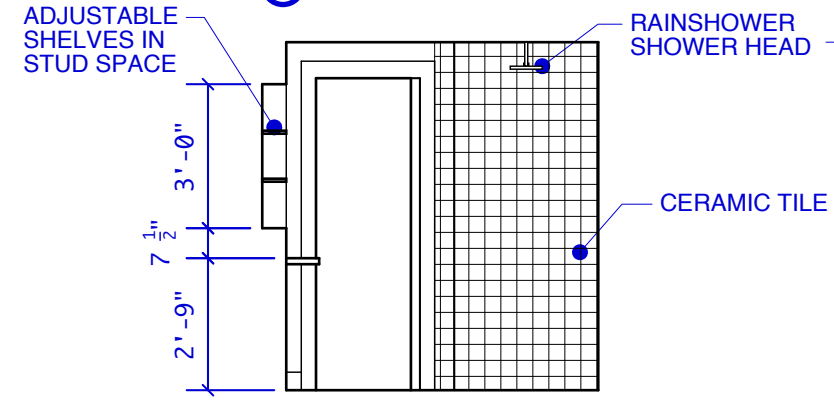
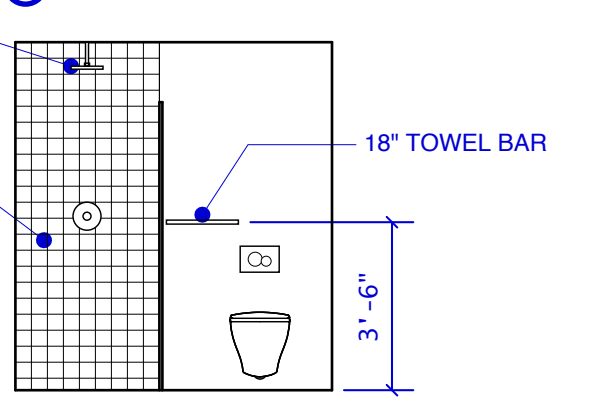


2 NORTH ELEVATION

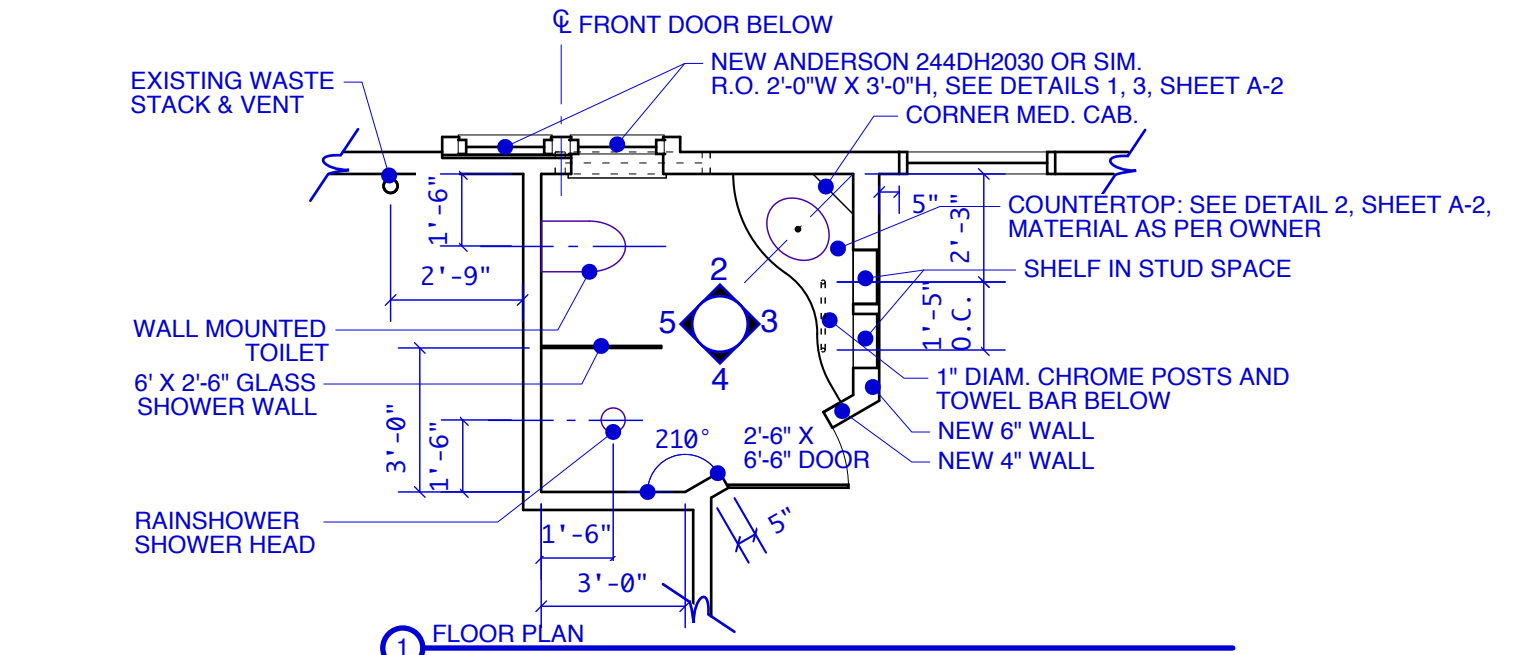
3 EAST ELEVATION



4 SOUTH ELEVATION




5 WEST ELEVATION



1 FLOOR PLAN

SCHMIDT/LESHER RESIDENCE
 60 BERKELEY STREET
 PORTLAND, ME 04103

**A-1 MASTER BATH ADDITION -
 PLAN AND ELEVATIONS**
 SCALE: 1/4"=1'-0"
 JANUARY 12, 2015



LYNN SHAFFER Architecture by Design
 www.lynnshafferarchitect.com
 lynn@lynnshafferarchitect.com
 650 Shore Road | Cape Elizabeth, ME 04107 w207.899.0588 c207.233.1888