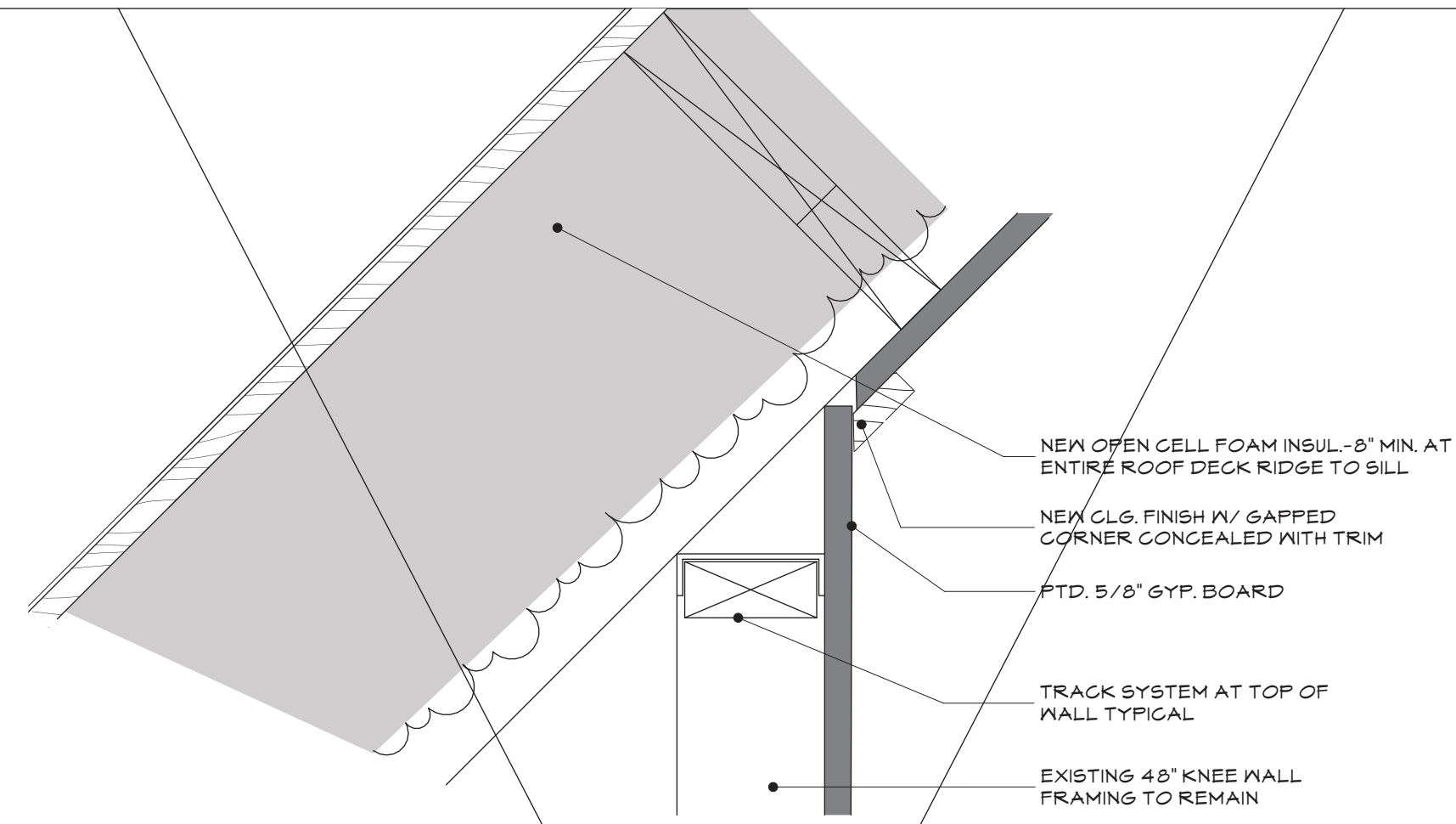
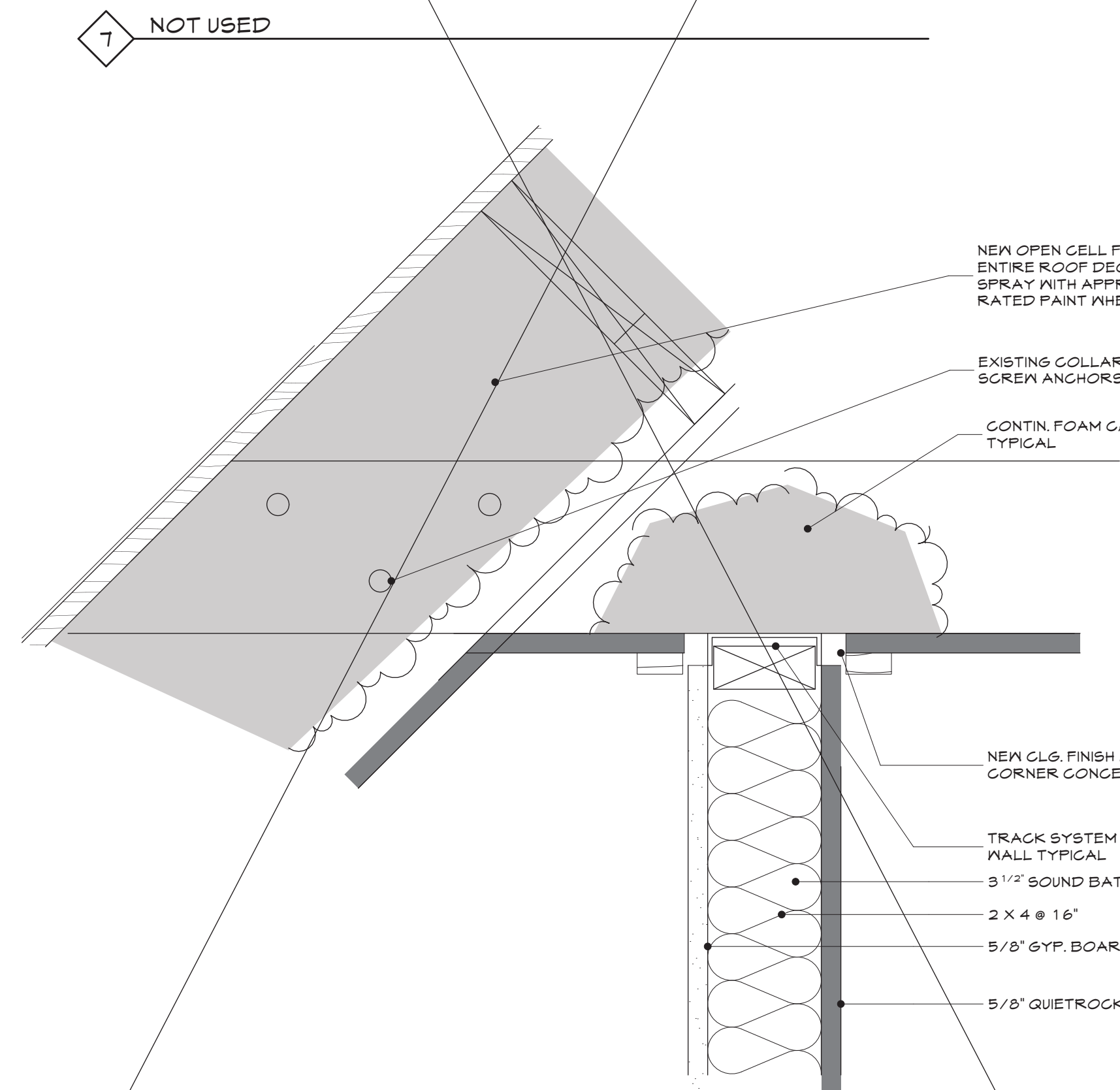


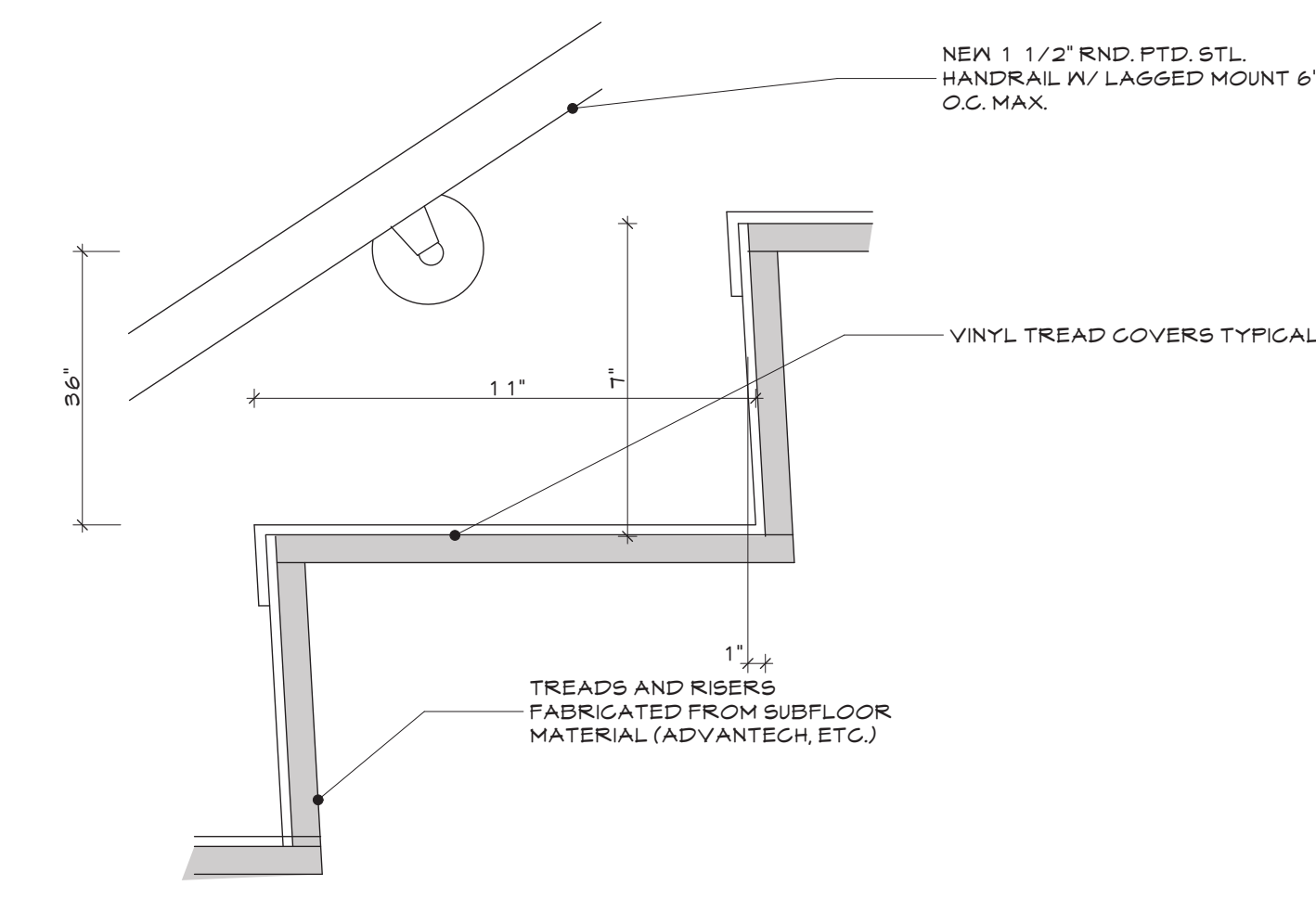
10 NEW STAIR @ FURNACE RM.



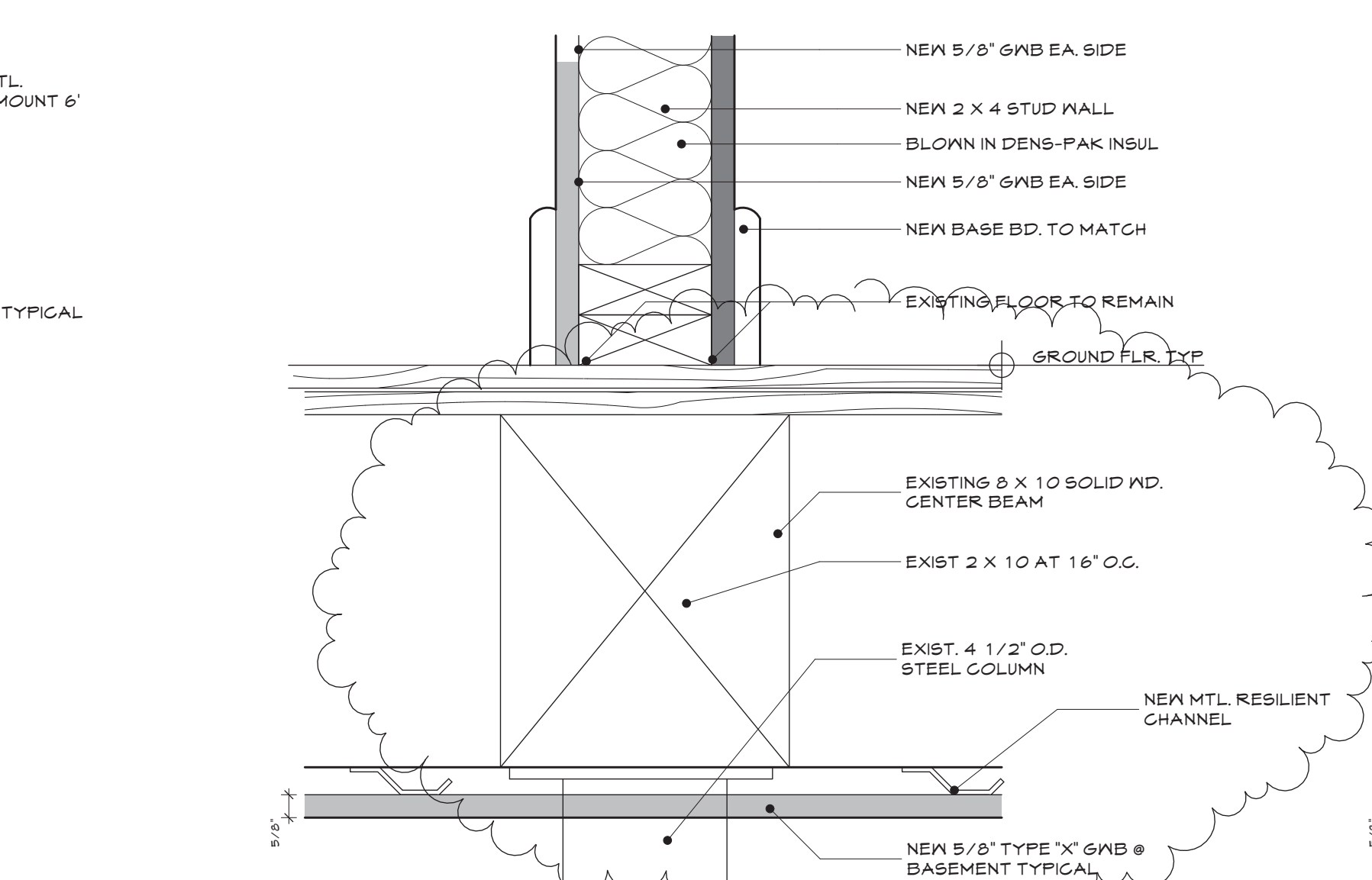
5 BASEMENT FLOOR



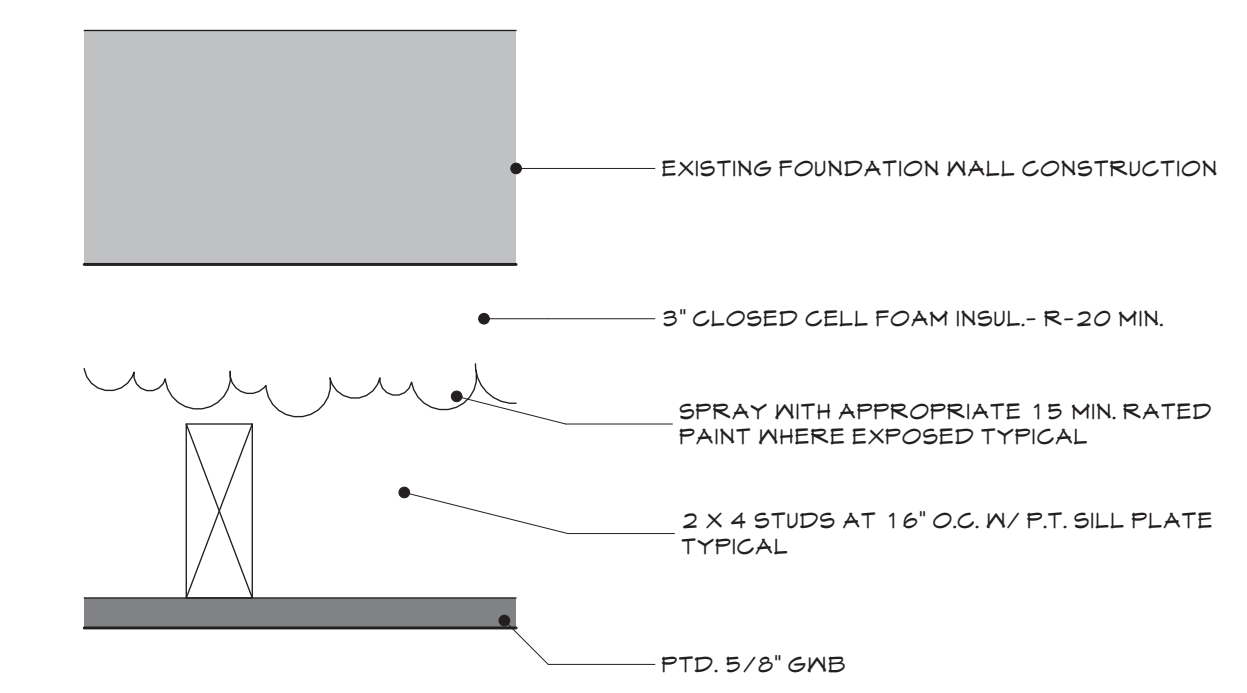
8 NEW WALL AT FLOOR THREE  
QUIETROCK 525 REPLACED W/ 5/8" QUIETROCK DENSARMORPLUS 525 AT MOISTURE AREAS



9 NEW STAIR

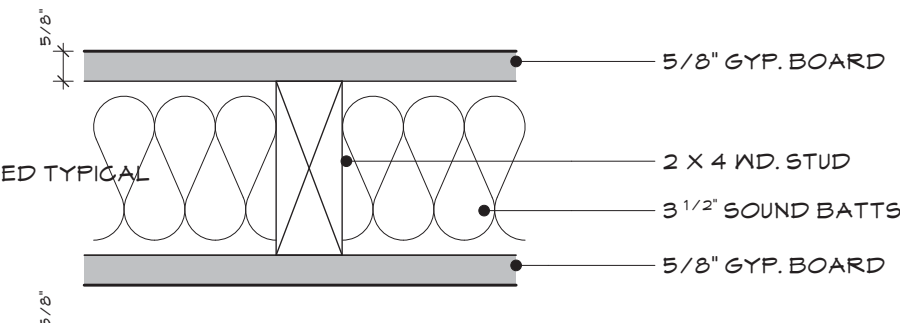


6 NEW FRAMED WALL TREATMENT  
USE M.R. BOARD AT BATHROOMS

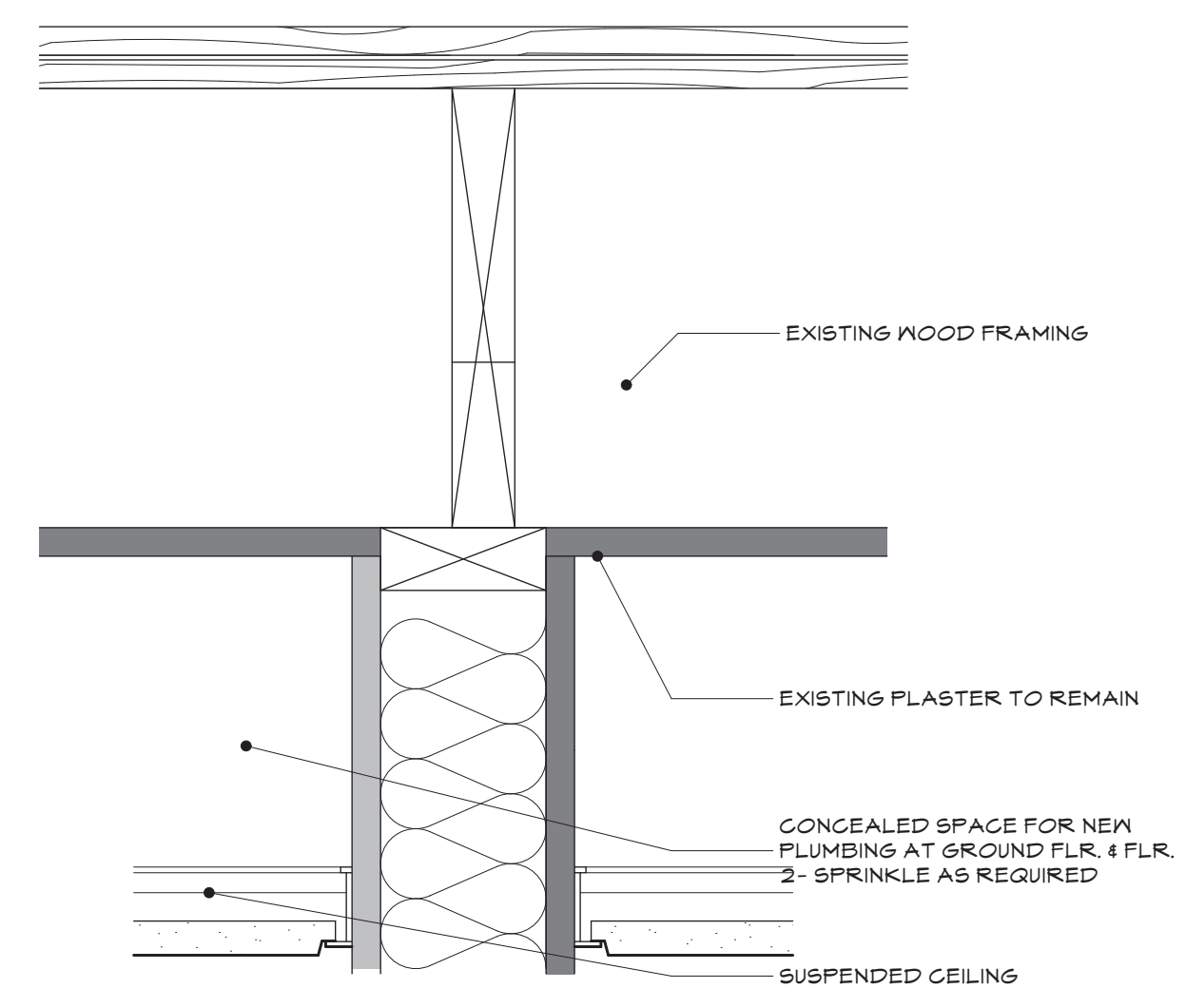
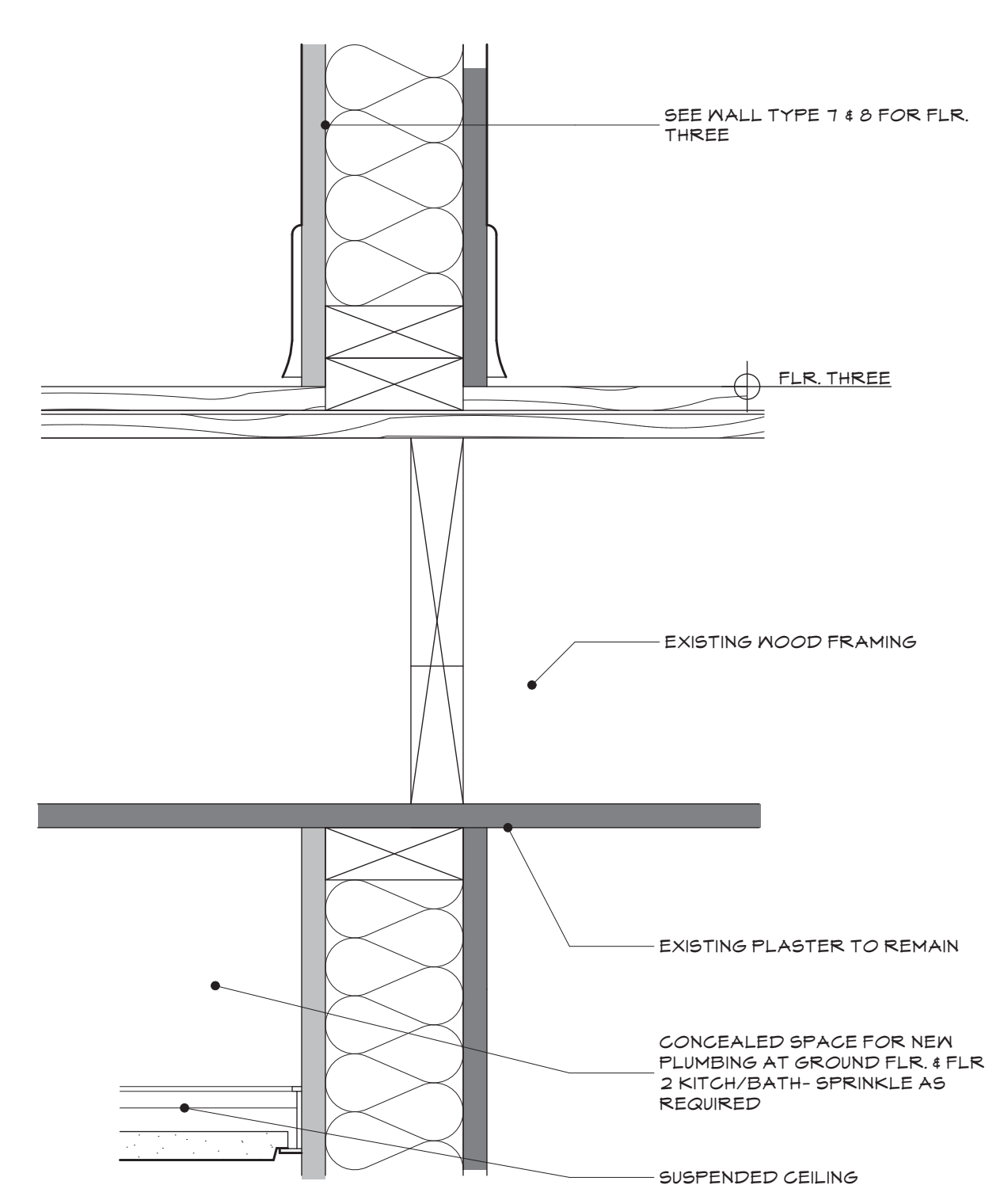


1 BASEMENT EXTERIOR WALL TREATMENT

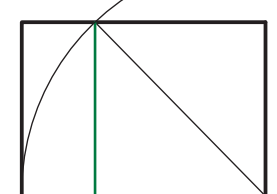
2 BASEMENT EXTERIOR WALL TREATMENT- NO FINISH



3 SOUNDDEADENING PARTITION  
USE M.R. BOARD AT BATHROOMS



4 EXISTING WALL TREATMENT  
USE M.R. BOARD AT BATHROOMS



DESCRIPTION	DATE	MARK

DATE:	5.3.13	REVISION
CHECKED BY:	JAD	
DRAWN BY:	JAD	
JOB:	01-2013	
SHEET TITLE:	WALL DETAILS	