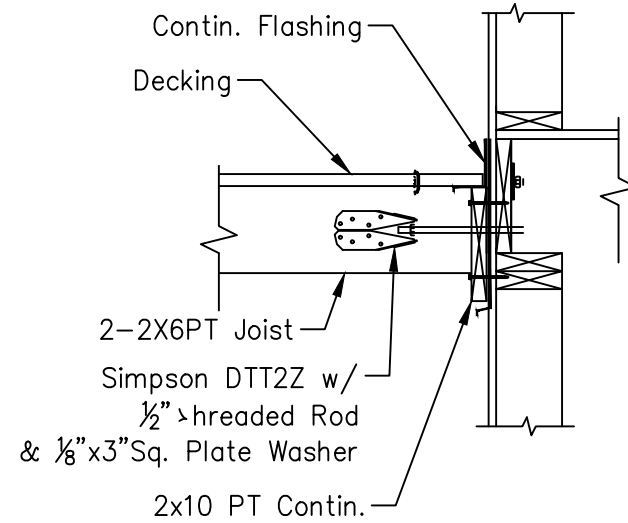
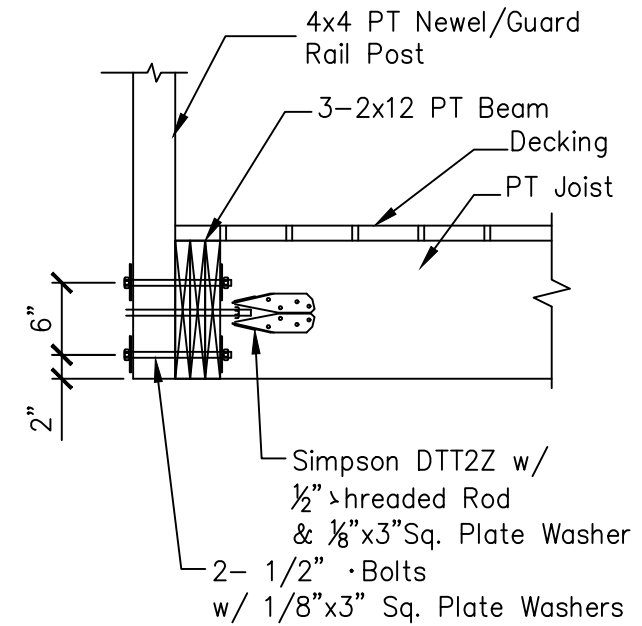


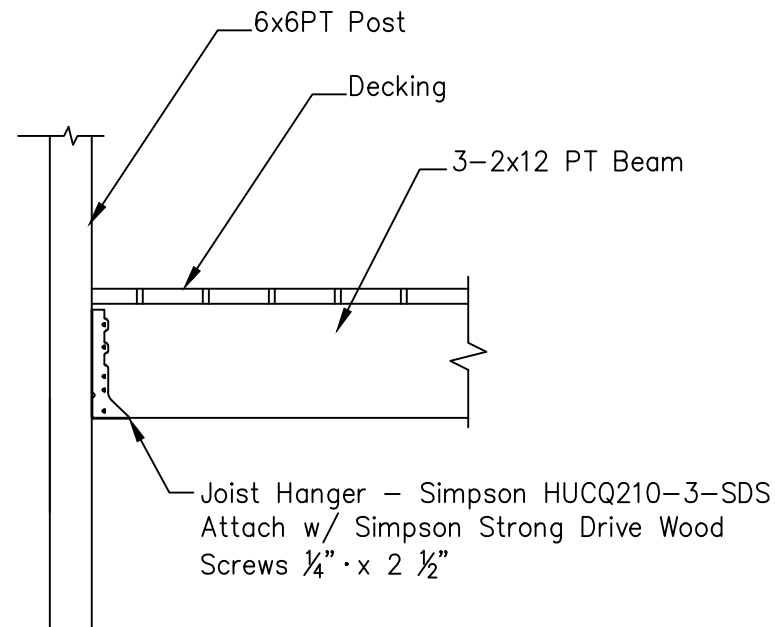
SECTION 6  
Scale: 3/4" = 1'-0"



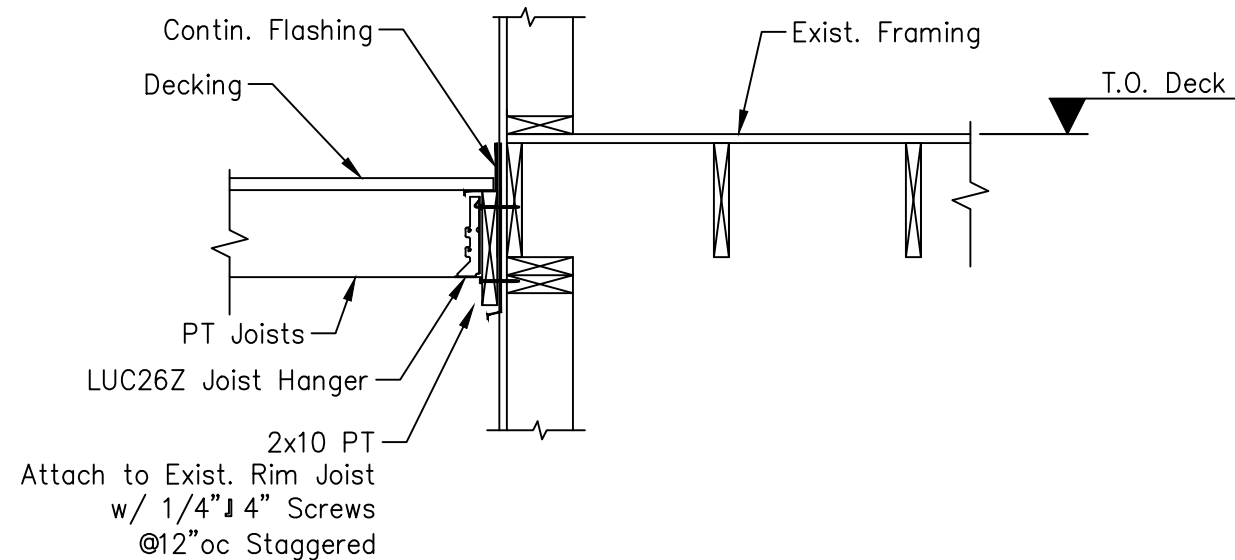
SECTION 7 Deck End Connection  
Scale: 3/4" = 1'-0"



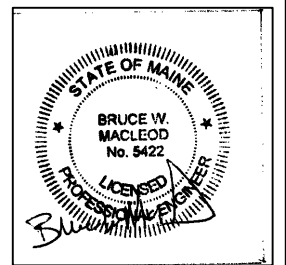
SECTION 8 Newel Post Connection  
Scale: 3/4" = 1'-0"



SECTION 9  
Scale: 3/4" = 1'-0"



SECTION 10  
Scale: 3/4" = 1'-0"



DATE ISSUED 3/23/17

JASON LANDRY CONSULTING, LLC		
17 NASON ROAD	GORHAM, MAINE 04038	207-632-3111
GAIL DODGE 144 GLENWOOD AVE PORTLAND, MAINE		
TITLE: DETAILS		
DATE: 3/8/17	DRAWN BY: J.JL	DRAWING NUMBER:
SCALE: as noted	PROJ NO: 2017-021	S-6