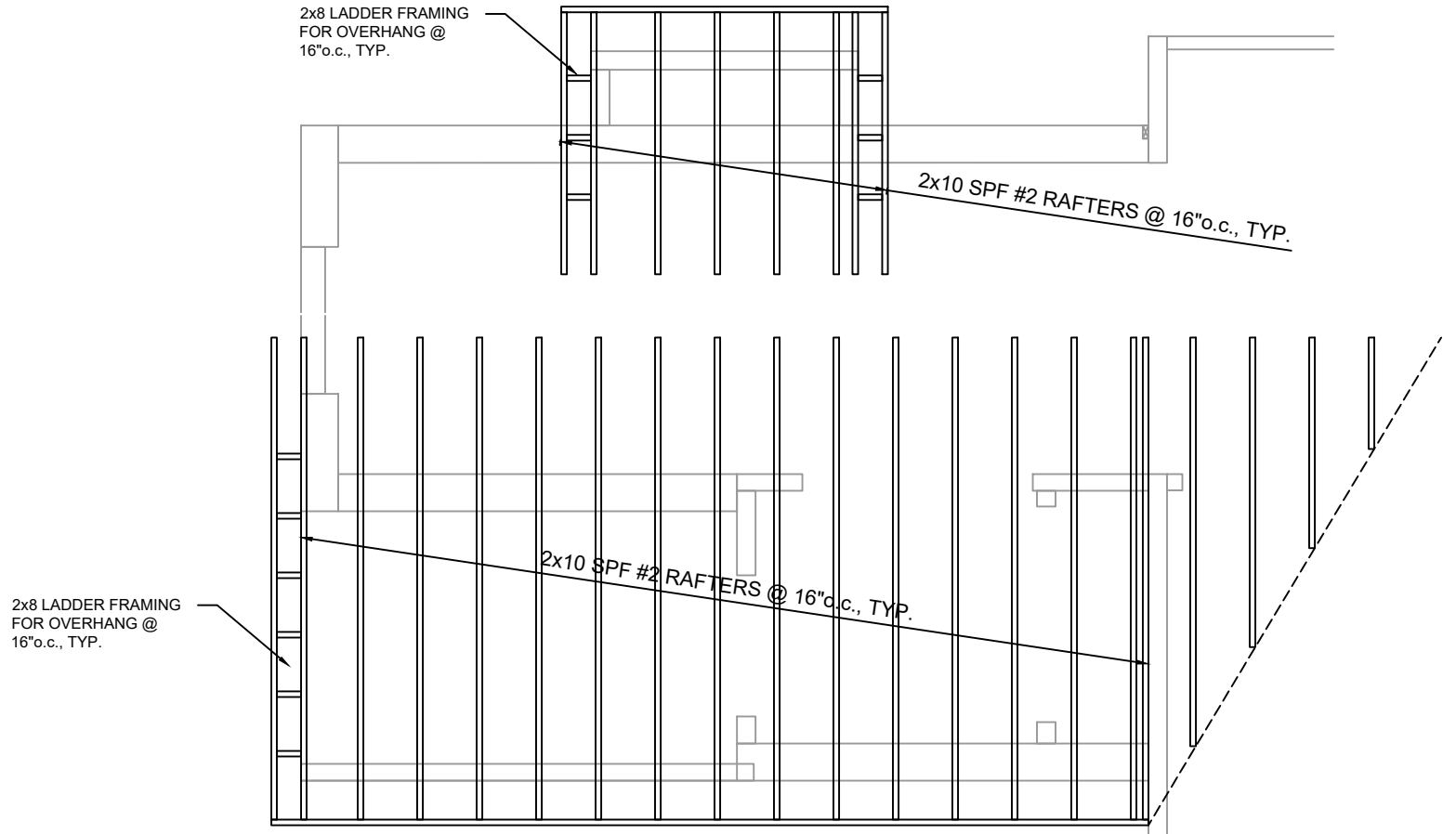


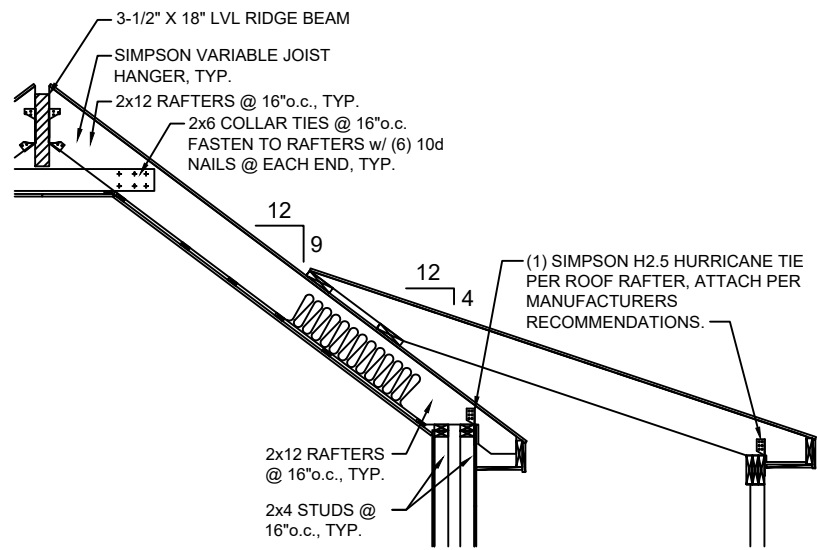
# MAIN ROOF FRAMING PLAN

SCALE: 1/4" = 1'-0"

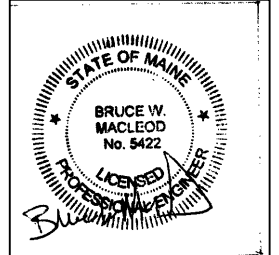


# SHED ROOF FRAMING PLANS

SCALE: 1/4" = 1'-0"



SECTION 1  
Scale: 1/4" = 1'-0" S-4



DATE ISSUED 3/23/17

JASON LANDRY CONSULTING, LLC		
17 NASON ROAD	GORHAM, MAINE 04038	207-632-3111
GAIL DODGE		
144 GLENWOOD AVE		
PORTLAND, MAINE		
TITLE: <b>ROOF FRAMING PLAN</b>		
DATE: 3/8/17	DRAWN BY: J.JL	DRAWING NUMBER:
SCALE: as noted	PROJ NO: 2017-021	S-4