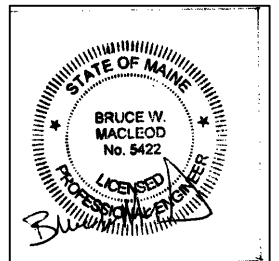
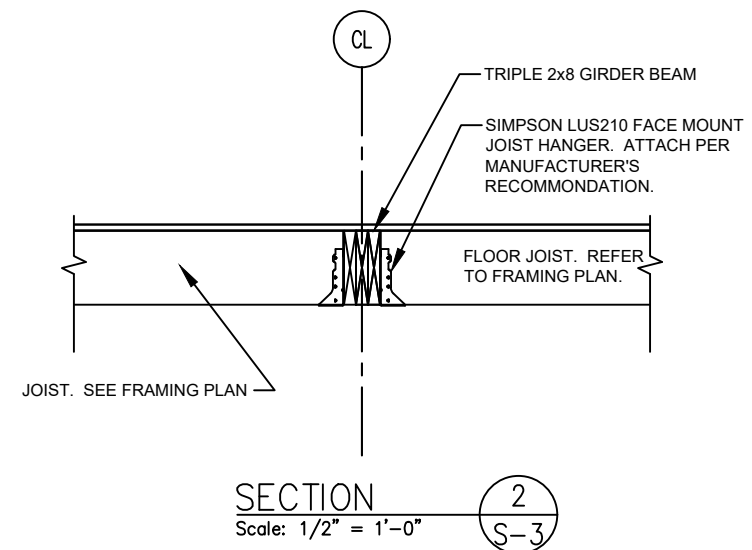
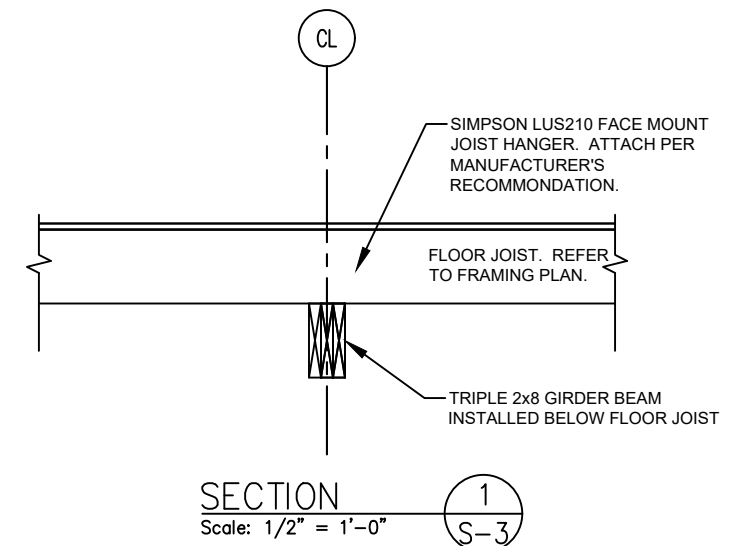
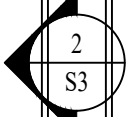
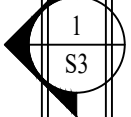


2x8 SPF #2 BLOCKING AT QUARTER POINTS OF END JOIST, TYP.

(3) 2x8 SPF #1/2 GIRDER BEAM INSTALL BELOW FLOOR JOIST

(3) 2x8 SPF #1/2 GIRDER BEAM INSTALL TO FLOOR JOIST



DATE ISSUED 3/23/17

# FLOOR FRAMING PLAN

SCALE: 1/4" = 1'-0"

JASON LANDRY CONSULTING, LLC

17 NASON ROAD GORHAM, MAINE 04038 207-632-3111

GAIL DODGE  
144 GLENWOOD AVE  
PORTLAND, MAINE

TITLE:  
**FLOOR FRAMING PLAN**

DATE: 3/8/17 DRAWN BY: J.J.L. DRAWING NUMBER:

SCALE: as noted PROJ NO: 2017-021 S-3