

## 5193SD/5193SDT

V-PLEX® ADDRESSABLE SMOKE DETECTOR



Honeywell's 5193SD/SDT Addressable Photoelectric Smoke Detector is designed to provide open area protection and to be used with compatible UL-listed Honeywell control panels that support V-Plex technology. The detector incorporates a state-of-the-art optical sensing chamber and an advanced microprocessor. Built-in Drift Compensation algorithms automatically maintain proper operation at factory calibrated detection levels, even when sensitivity is altered due to the presence of contaminants settling into the unit's chamber. The 5193SDT also features a restorable, built-in, fixed temperature (135° F/57.2° C) thermal detector.

## FEATURES

- **Easy Installation:** Installation of the 5193SD/SDT detector is simplified by the use of a mounting base that may be pre-wired to the system, allowing the detector to be easily installed or removed for maintenance or service. (See Figure 1).
- **LED Status Indicators:** Two LEDs (green and red) provide local visual indication of the detector's status – including normal operation, alarm, out of sensitivity and trouble conditions.
- **Test button:** This button allows the user to perform periodic testing of the detector's circuitry and verify that the detector is within the sensitivity limits.
- **Versatile Mounting:** Mounting is made simple with the included hardware and the large mounting ports, which accommodate drywall anchors for easy surface mounting. (See Figure 1).
- **Tamper Protection and Tamper Resistance:** The detector contains a built-in tamper switch that can communicate back to the control panel in the event the detector is removed from its base. For an added level of security, the detector also includes a tamper resistant element that prevents removal from the base without the use of tools. (See Figure 1).

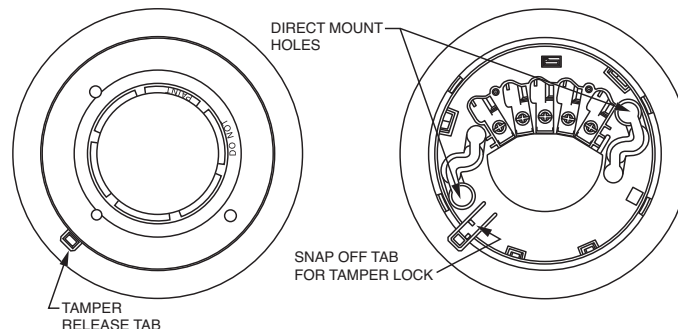


Figure 1: Tamper-Resistant Feature/Wiring

# 5193SD/5193SDT

V-PLEX® ADDRESSABLE SMOKE DETECTOR

## SPECIFICATIONS

- **Heat Sensor:** (Model 5193SDT):  
135° F (57.2° C);  
Fixed Temperature Electronic Thermistors
- **Operating Ambient Temperature Range:**  
32° to 100° F (0° to 38° C)
- **Operating Humidity Range:**  
0 to 95% RH non-condensing
- **Storage Temperature Range:**  
-4° to 158° F (-20° to 70°C)
- **Diameter (including base):** 5.3 inches
- **Height (including base):** 2.0 inches
- **Weight:** 6.3 oz.
- **Agency Listing:** UL-268
- **System Voltage Range:** 7-14V
- **Standby Current** (maximum @ 12V)  
LED off: 1.2mA  
LED on: 2.8mA

## ACCESSORY (sold separately)

To measure the detector's sensitivity, the **SENS-RDR Infrared Sensitivity Reader tool (sold separately)** should be used. It reduces testing time, simplifies sensitivity measurements and displays them precisely in terms of percent per foot obscuration. The SENS-RDR eliminates the need for magnets, voltmeters and ladders.

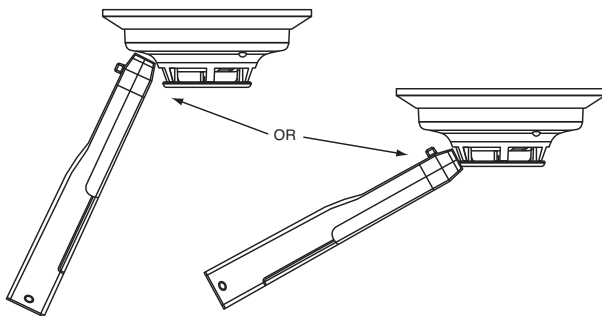


Figure 2: Position of Reader



## ORDERING

- |                |  |
|----------------|--|
| <b>5193SD</b>  | Addressable Photoelectric Smoke Detector                           |
| <b>5193SDT</b> | Addressable Photoelectric Smoke Detector with Integral Heat Sensor |

### Accessory sold separately:

- |                 |                             |
|-----------------|-----------------------------|
| <b>SENS-RDR</b> | Handheld Sensitivity Reader |
|-----------------|-----------------------------|

**Automation and Control Solutions**  
Honeywell Security & Communications  
2 Corporate Center Dr. Suite 100  
P.O. Box 9040  
Melville, NY 11747  
www.honeywell.com

L/5193SDT/D  
May 2009  
© 2009 Honeywell International Inc.

**Honeywell**