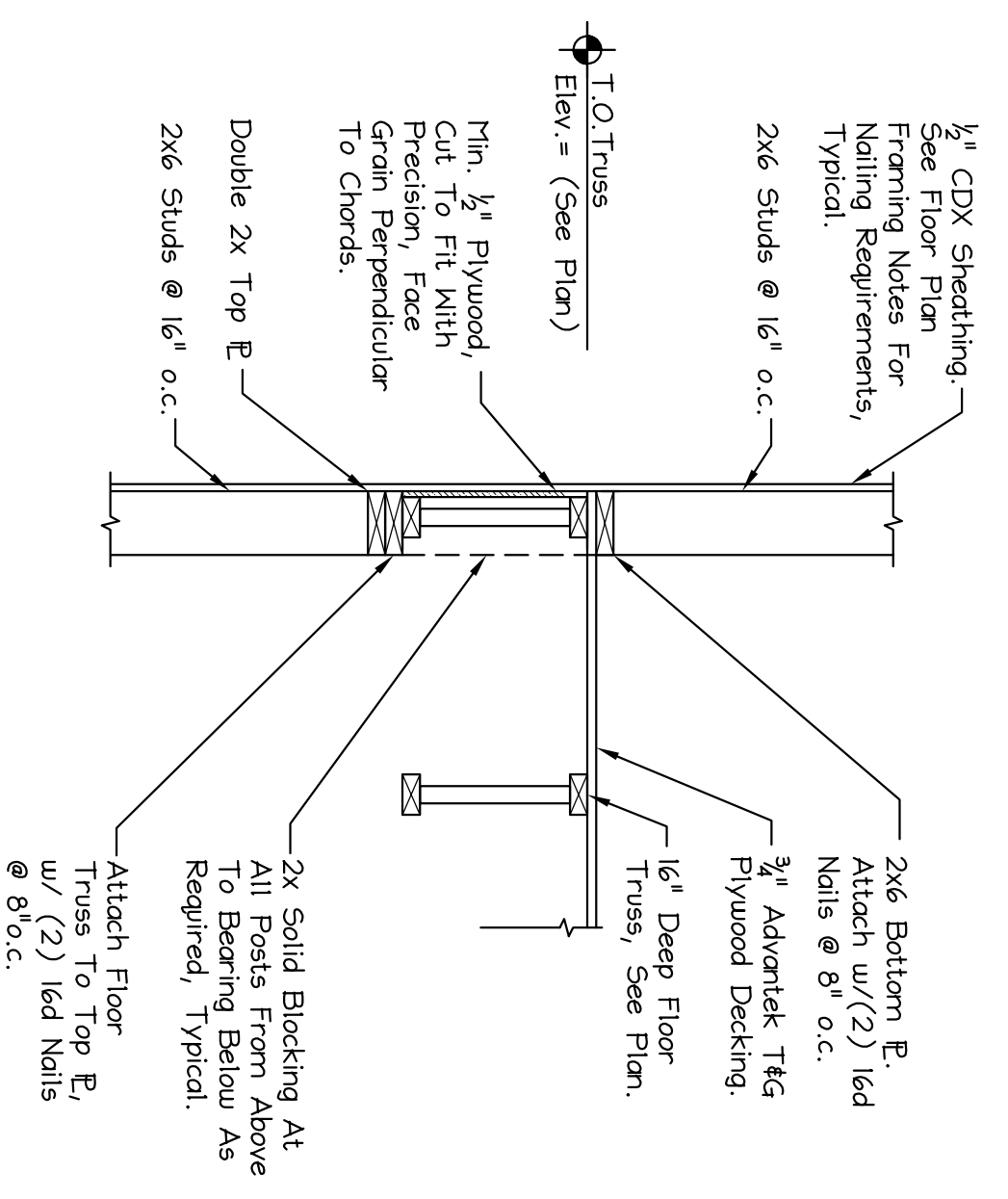
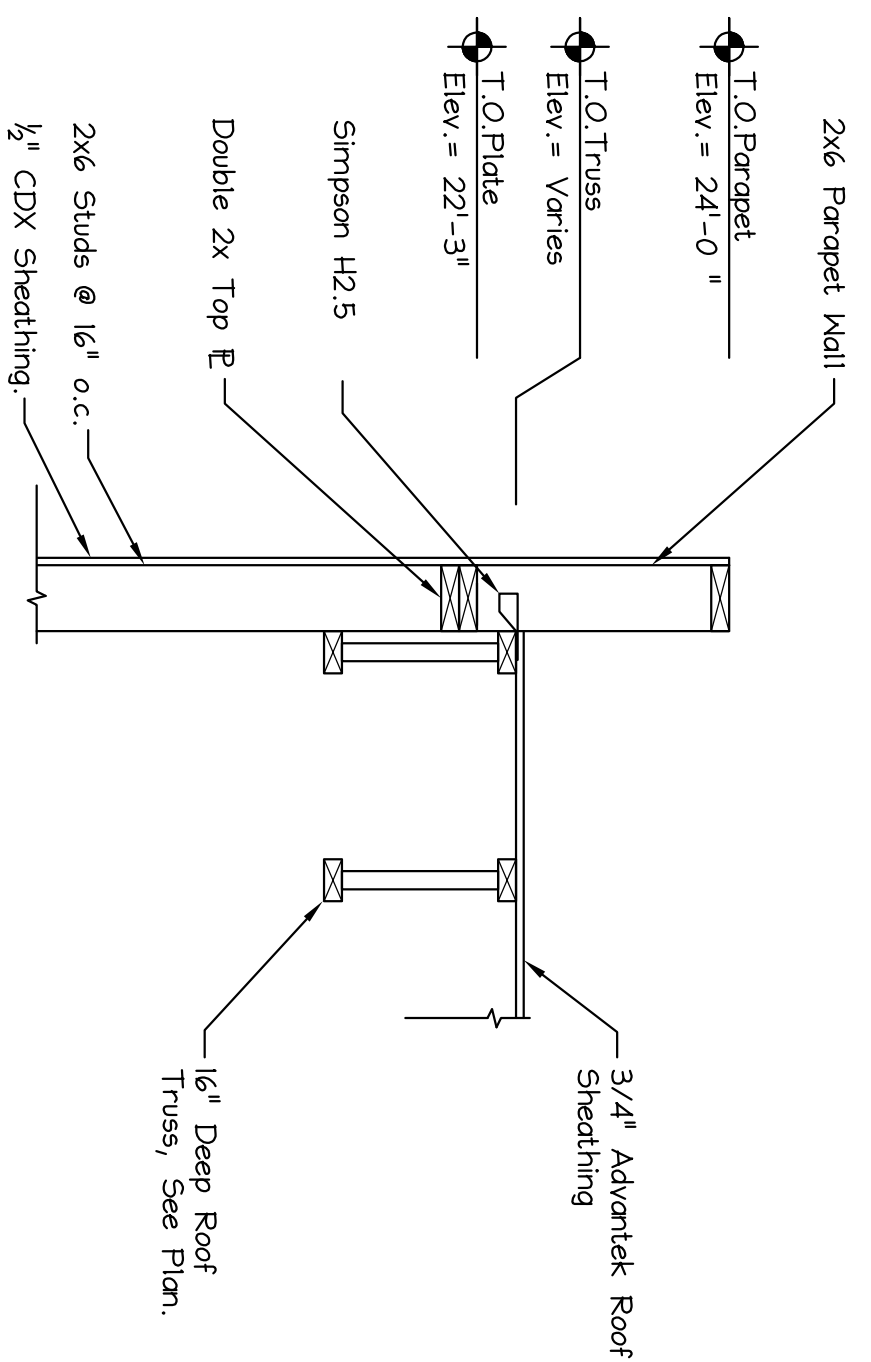


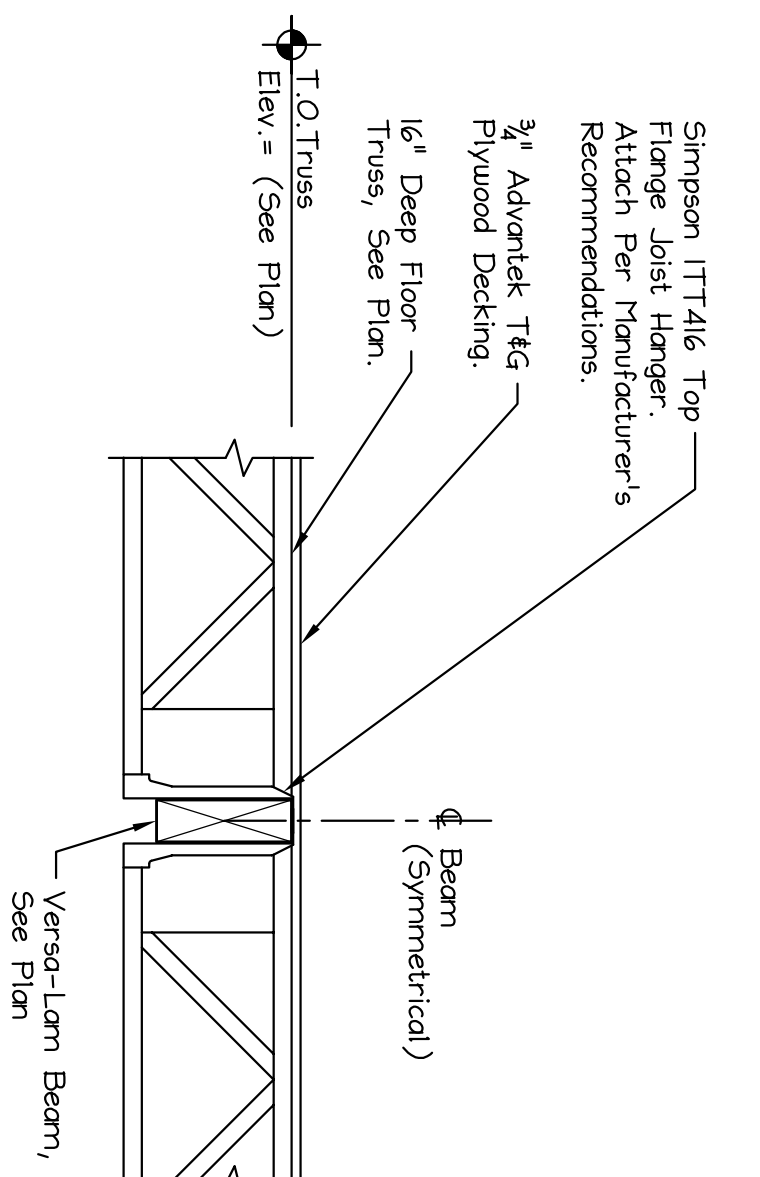
SECTION 1
Scale: 3/4" = 1'-0"
S2



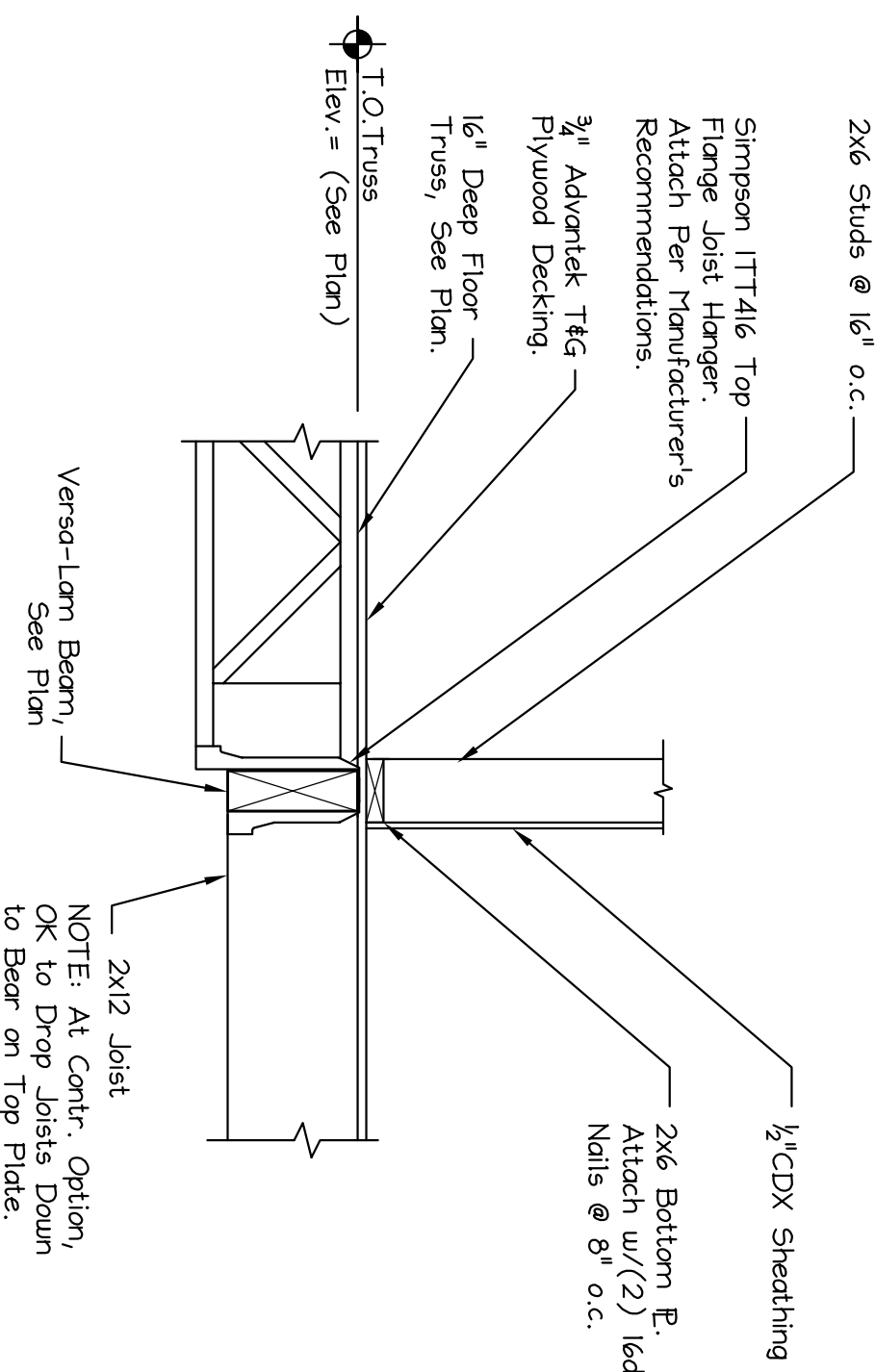
SECTION 2
Scale: 3/4" = 1'-0"
S2



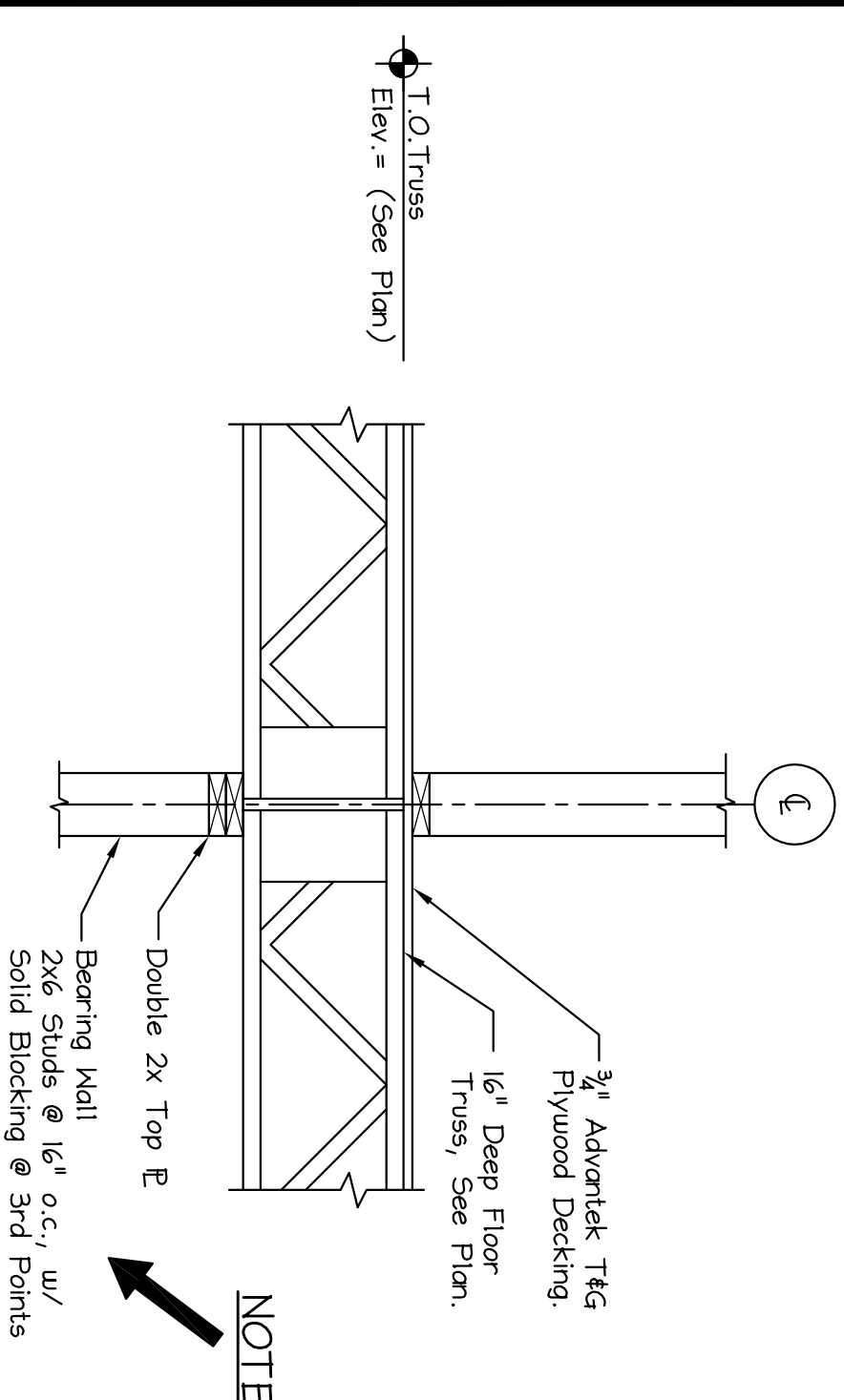
SECTION 3
Scale: 3/4" = 1'-0"
S2



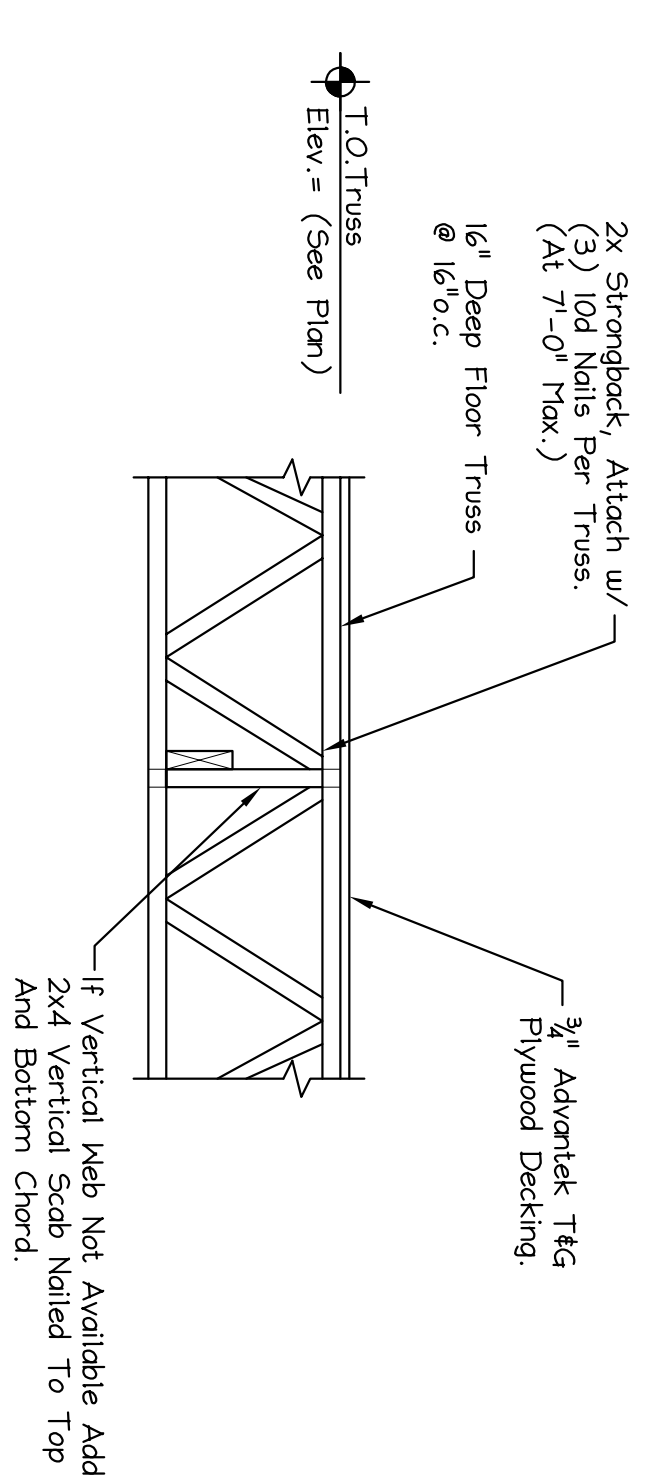
SECTION 4
Scale: 3/4" = 1'-0"
S2



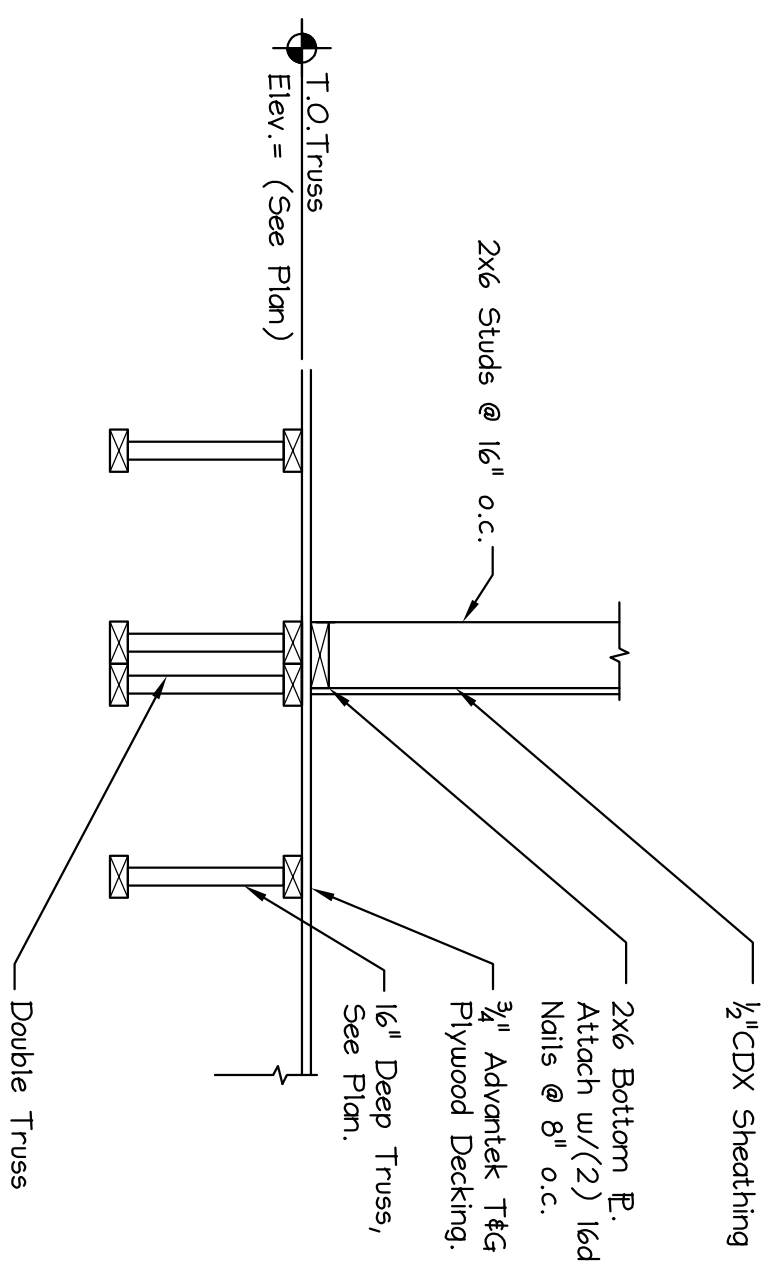
SECTION 5
Scale: 3/4" = 1'-0"
S2



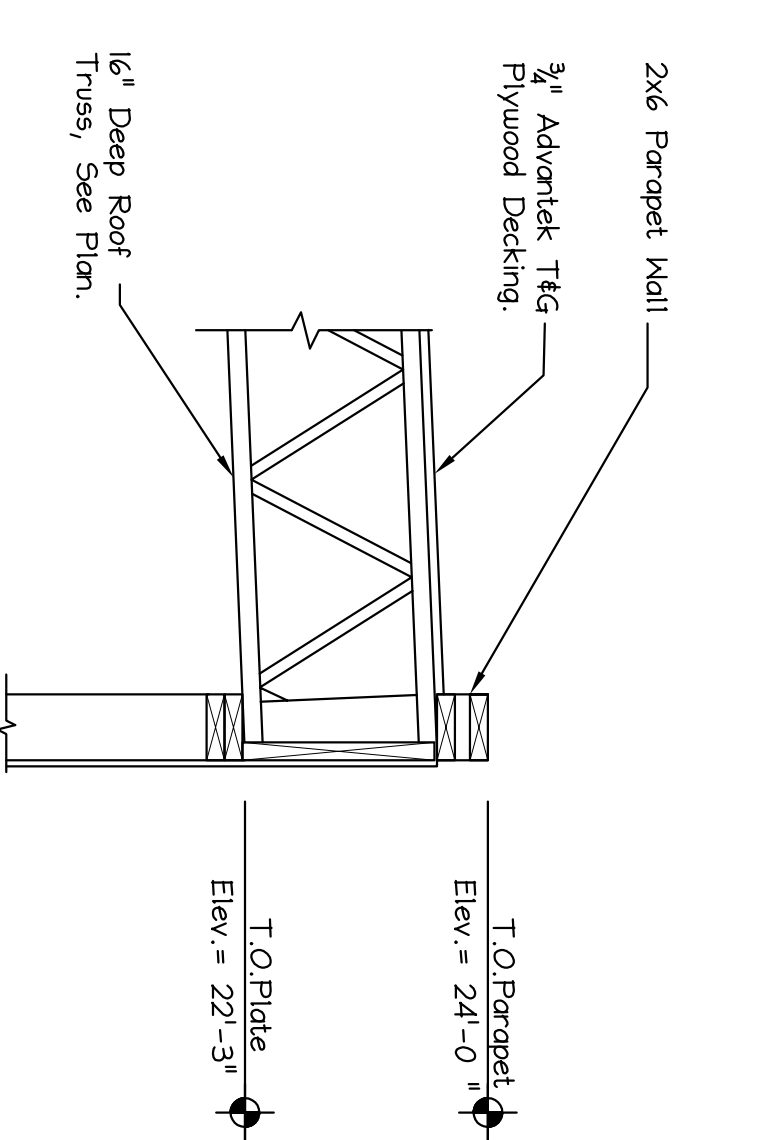
SECTION 6
Scale: 3/4" = 1'-0"
S2



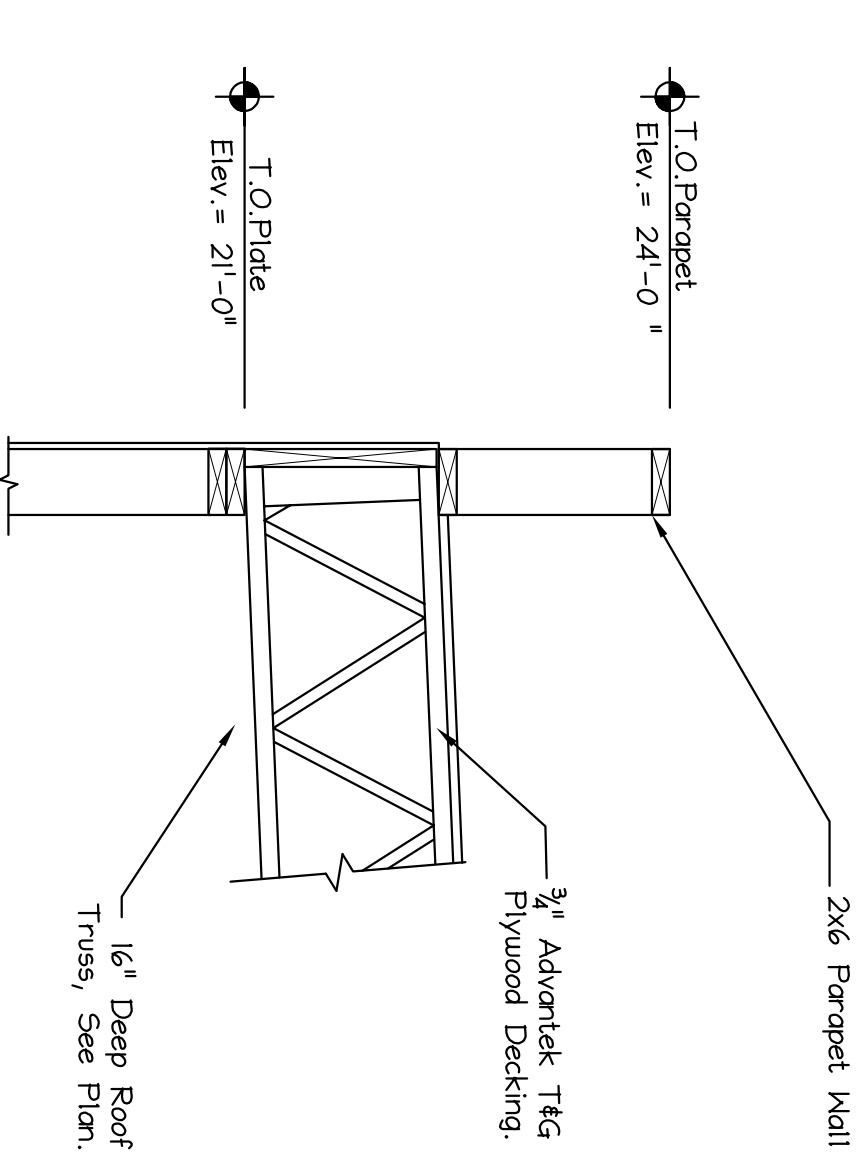
DETAIL - FLOOR TRUSS STRONGBACK LATERAL BRACE
Scale: 3/4" = 1'-0"



SECTION 7
Scale: 3/4" = 1'-0"
S2



SECTION 8
Scale: 3/4" = 1'-0"
S2



SECTION 9
Scale: 3/4" = 1'-0"
S2

HEADER SCHEDULE			
MARK	DESCRIPTION	JACK STUDS (NUMBER)	KING STUDS (NUMBER)
H-1	(3) 2x12's	(1) Studs	(1) Studs
H-2	5 1/2" x 1 1/4" x 1 1/4" LVL	(1) Studs	(2) Studs

NOTES:
1. All Headers Not Noted To Be (3) 2x12's

THIS DRAWING IS ISSUED
DATE: 4/24/08

DRN BY: DMB
CHKD BY: BMN
DATE: 10/17/07
SCALE: AS NOTED
PROJ. NO.: 2008-202

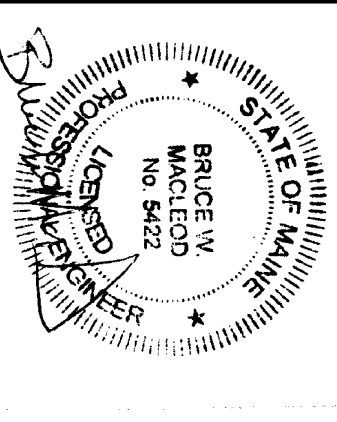
SHEET TITLE:
FRAMING DETAILS

S3 OF

CURRENT REVISION		
#	DATE	DESCRIPTION
1	11/5/08	FLOOR ROOF FRAMING FOR HVAC

AVENUE AUTO CO. ANNEX
745-757 FOREST AVE.

MacLeod Structural Engineers, PA
404 Main Street
Gorham, Maine 04038
phone: (207) 839-0980
fax: (207) 839-0982



Copyright © 2006 MacLeod Structural Engineers, P.A.
Reproduction Of This Document Without The Written Consent Of
MacLeod Structural Engineers, P.A. Is Prohibited.

MAINE

PORTLAND