



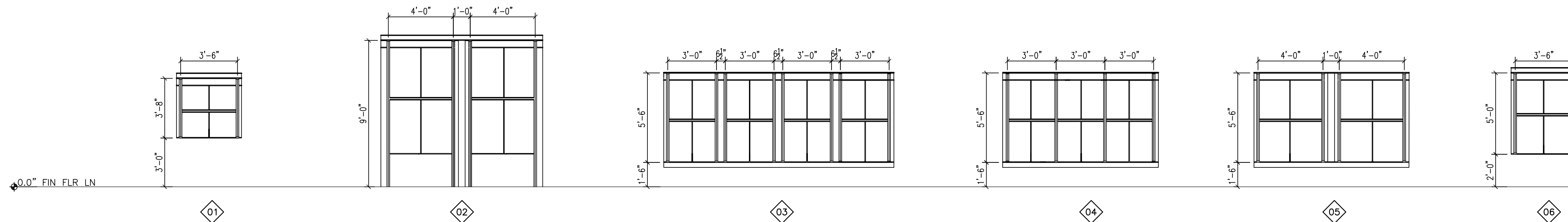
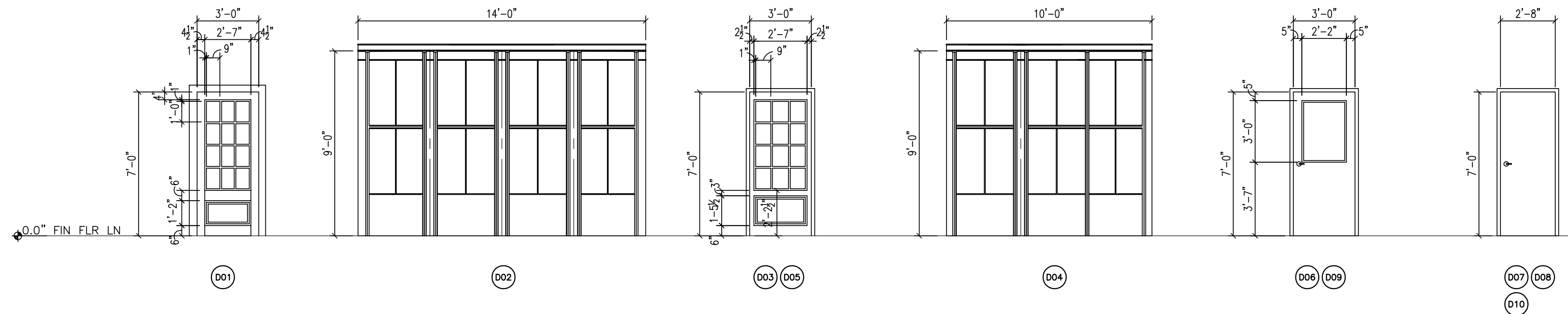
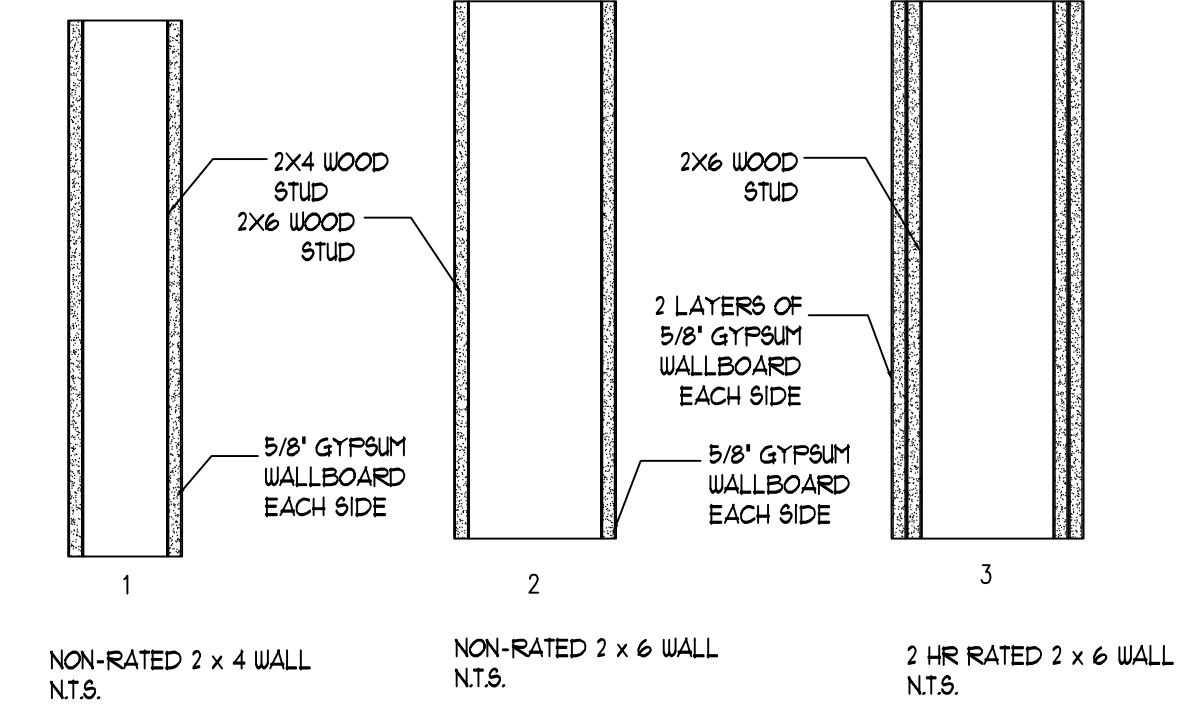
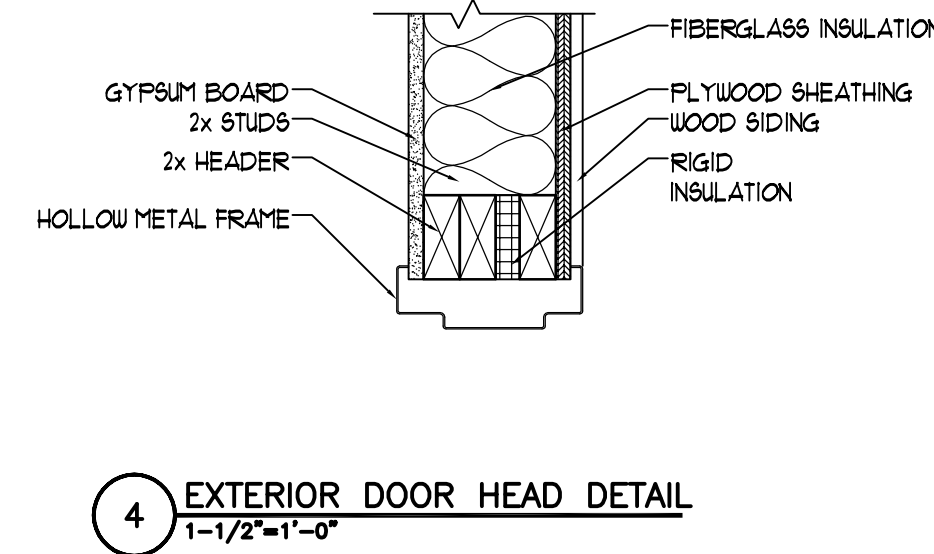
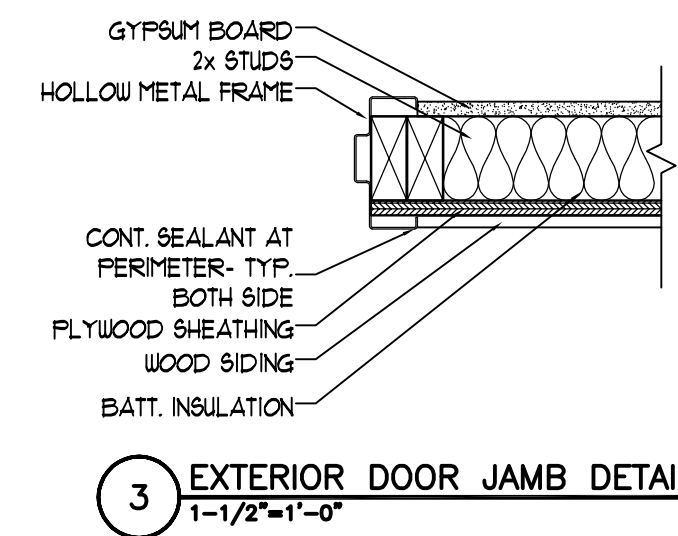
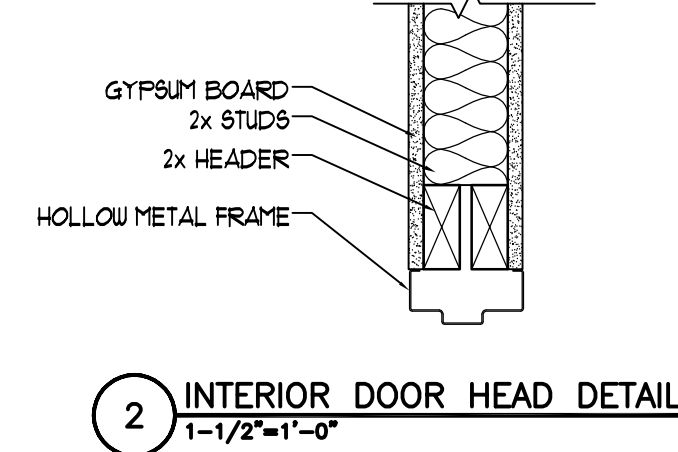
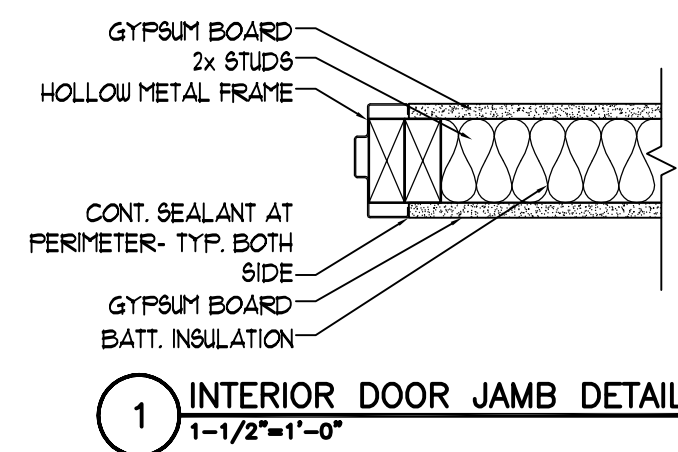
AVENUE AUTO CO. ANNEX  
145-151 FOREST AVE

MARK	DOOR				LOUVER				FRAME			FIRE RATING LABEL	HARDWARE		REMARKS	
	SIZE			MATL	FINISH	WD	HGT	MATL	FINISH	HEAD	JAMB		SILL	SET NO		KEYSIDE RM NO
	WD	HGT	THK													
D01	3'-0"	7'-0"	1 1/4"	WD	PT	--	--	HM	PT	4	3					
D02	14'-0"	9'-0"	1 1/4"	WD	PT	--	--	HM	PT	4	3					
D03	3'-0"	7'-0"	1 1/4"	WD	PT	--	--	HM	PT	4	3					
D04	10'-0"	9'-0"	1 1/4"	WD	PT	--	--	HM	PT	4	3					
D05	3'-0"	7'-0"	1 1/4"	WD	PT	--	--	HM	PT	2	1		2HR			
D06	3'-0"	7'-0"	1 1/4"	WD	FF	--	--	HM	PT	2	1					
D07	3'-0"	7'-0"	1 1/4"	WD	PT	--	--	HM	PT	2	1					
D08	3'-0"	7'-0"	1 1/4"	WD	FF	--	--	HM	PT	2	1		2HR			
D09	3'-0"	7'-0"	1 1/4"	WD	PT	--	--	HM	PT	2	1					
D10	3'-0"	7'-0"	1 1/4"	WD	PT	--	--	HM	PT	2	1					

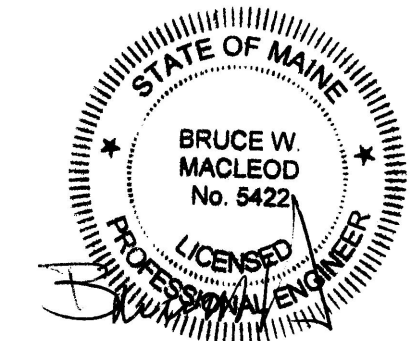
ROOM NO	ROOM NAME	FLOOR	WALLS				CEILING		REMARKS
			N	S	E	W	MATL	HEIGHT	
101	LOBBY	SC					ACT	8'-0"	
102	SHOWROOM	SC					ACT	8'-0"	
103	UTILITY	SC					GWB	8'-0"	
104	TOILET	CT					GWB	8'-0"	
ST1	STAIR						GWB	ST1	
201	OFFICE	VCT					ACT	8'-0"	
202	TOILET	CT					GWB	21'-0"	

MARK	SIZE		TYPE	MATERIAL	REMARKS
	WIDTH	HEIGHT			
01	3'-6"	3'-6"			U-FACTOR: 0.35
02	4'-0"	9'-0"			U-FACTOR: 0.35
03	3'-0"	6'-0"			U-FACTOR: 0.35
04	3'-0"	6'-0"			U-FACTOR: 0.35
05	4'-0"	6'-0"			U-FACTOR: 0.35
06	3'-6"	5'-0"			U-FACTOR: 0.35

- LEGEND
- SC = CONC. PAINTED AND SEALED
  - PT = PAINTED
  - ACT = ACOUSTIC
  - CT = CERAMIC TILES
  - VCT = VINYL COMPOSITE TILES
  - GWB = GYPSUM WALL BOARD PAINTED



NOTE:  
THIS DRAWING IS PROVIDED FOR INFORMATIONAL PURPOSES ONLY. IF USED FOR CONSTRUCTION, THE CONTRACTOR ASSUMES ALL RESPONSIBILITY FOR LOCAL CODE COMPLIANCE.  
ALL DRAWINGS, PLANS, SKETCHES ETC. ARE PROVIDED TO OUR CLIENTS BASED UPON INFORMATION PROVIDED BY THE CLIENT AND DRAWN IN ACCORDANCE WITH COMMON BUILDING PRACTICES AND LOCAL CODES. NONE OF THE EMPLOYEES OF FMC CADD DRAFTING SERVICES, INC. ARE REGISTERED ARCHITECTS, ENGINEERS OR LAND SURVEYORS. ALL DIMENSIONS AND SPECIFICATIONS SHOULD BE VERIFIED BY CLIENT AND/OR CONTRACTOR BEFORE ACTUAL CONSTRUCTION BEGINS. IF DIMENSIONS AND SPECIFICATIONS ARE NOT VERIFIED BY CLIENT AND/OR CONTRACTOR BEFORE ACTUAL CONSTRUCTION BEGINS FMC CADD DRAFTING SERVICES, INC. WILL BE HELD HARMLESS. FMC CADD DRAFTING SERVICES, INC. ASSUMES NO LIABILITY FOR CHANGES AND/OR REVISIONS MADE TO PLANS BY CLIENT AND/OR CONTRACTOR.



TOWN: PORTLAND  
DATE: 2/11/08  
SCALE:  
DRAWN: CBR  
REVIEWED: J.O.  
TITLE: SCHEDULES  
FILE: 07-1013  
SHEET: A1