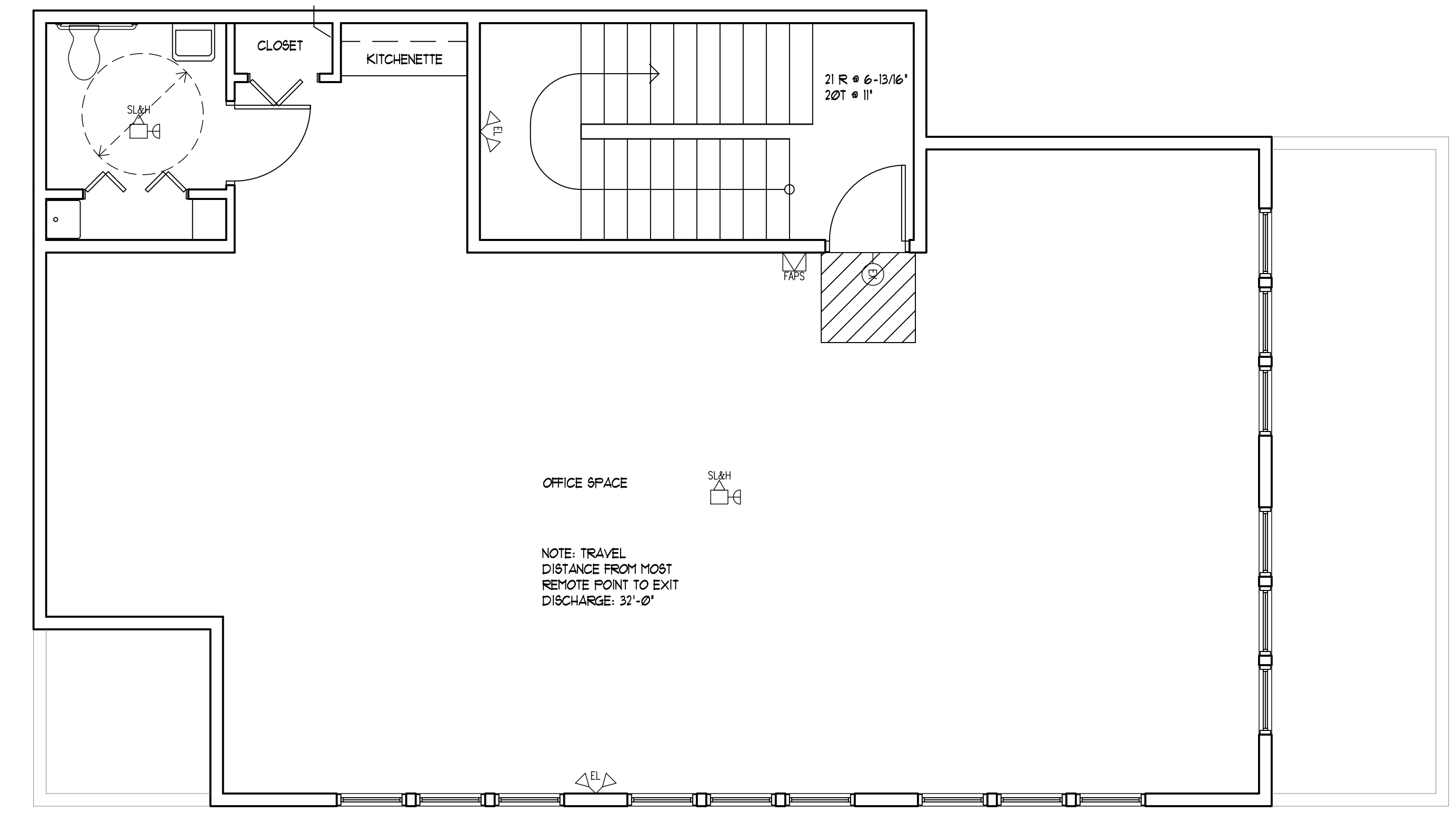
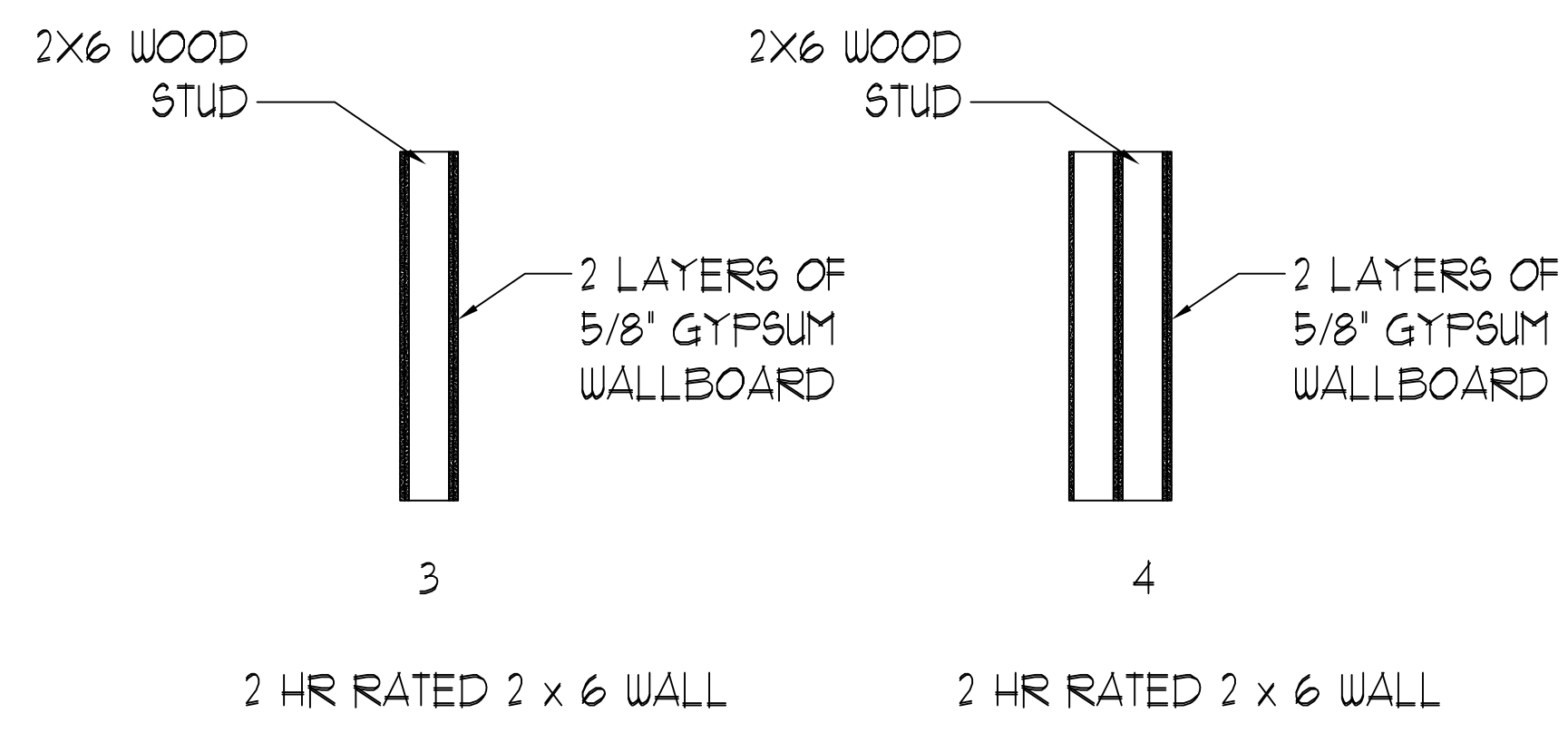
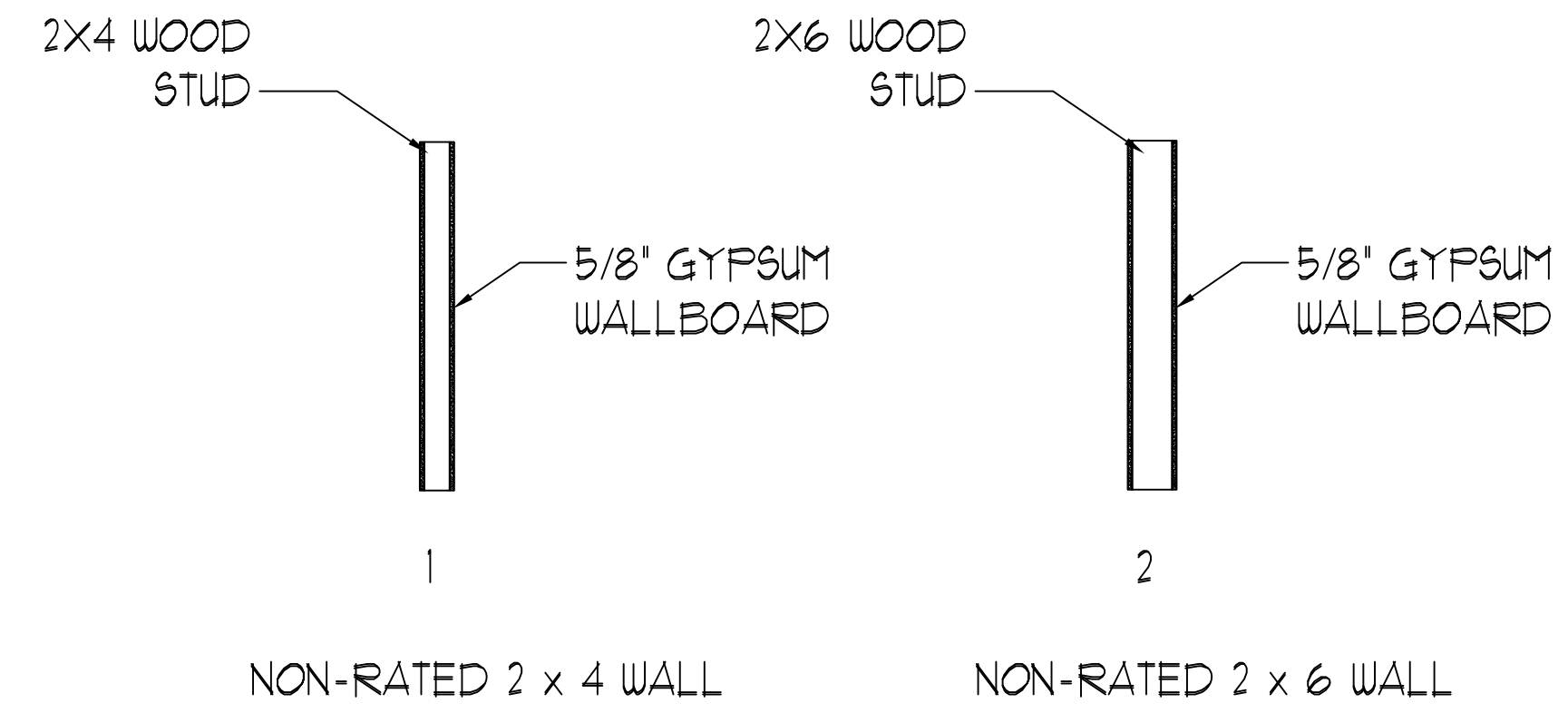


FIRST FLOOR LIFE SAFETY
 SCALE: 1/4" = 1'-0"



SECOND FLOOR LIFE SAFETY
 SCALE: 1/4" = 1'-0"



TYPICAL WALL TYPE
 SCALE: 1/2" = 1'-0"

NOTE:
 THE CONTRACTOR/OWNER ASSUMES ALL RESPONSIBILITY FOR LOCAL CODE COMPLIANCE. ALL DRAWINGS, PLANS, SKETCHES ETC. ARE PROVIDED TO OUR CLIENTS BASED UPON INFORMATION PROVIDED BY THE CLIENT AND DRAWN IN ACCORDANCE WITH COMMON BUILDING PRACTICES AND LOCAL CODES. NONE OF THE EMPLOYEES OF CDT ARE REGISTERED ARCHITECTS, ENGINEERS OR LAND SURVEYORS. ALL DIMENSIONS AND SPECIFICATIONS SHOULD BE VERIFIED BY CLIENT AND/OR CONTRACTOR BEFORE ACTUAL CONSTRUCTION BEGINS IF DIMENSIONS AND SPECIFICATIONS ARE NOT VERIFIED BY CLIENT AND/OR CONTRACTOR BEFORE ACTUAL CONSTRUCTION BEGINS CDT WILL BE HELD HARMLESS. CDT ASSUMES NO LIABILITY FOR CHANGES AND/OR REVISIONS MADE TO PLANS BY CLIENT AND/OR CONTRACTOR.

1. Contractor/owner responsible for securing all necessary permits.
2. Contractor/owner will comply with all applicable codes and ordinances.
3. Contractor/owner to verify all site grades and dimensions.

BY	JJO
REMARKS	ISSUED FOR PERMITTING
NO	1
DATE	08-25-08
CODE:	IRC 2003
TOWN:	PORTLAND
DATE:	08-21-08
SCALE:	AS NOTED
DRAWN:	JJO
TITLE:	LIFE SAFETY PLANS
FILE:	
SHEET:	A1.1