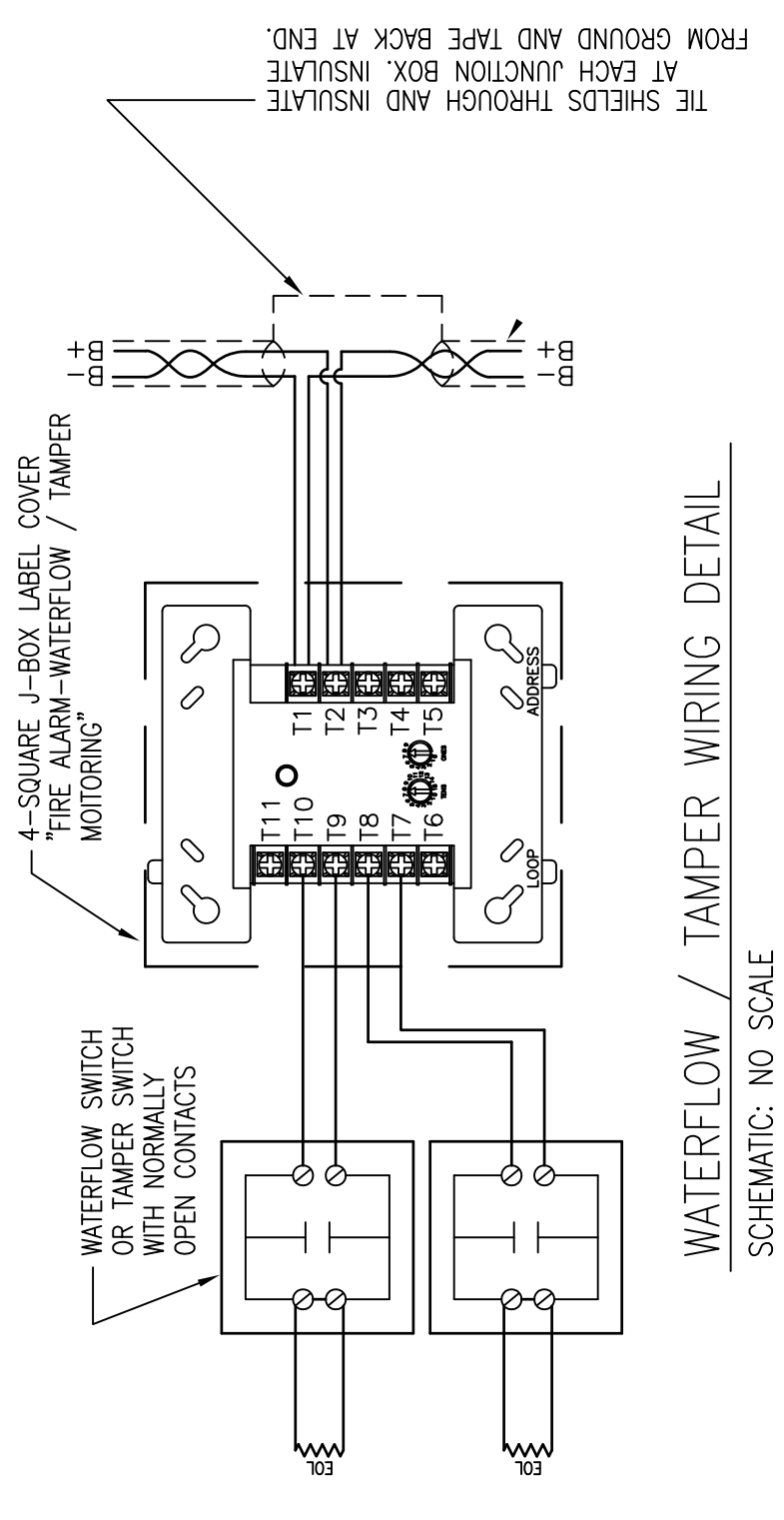
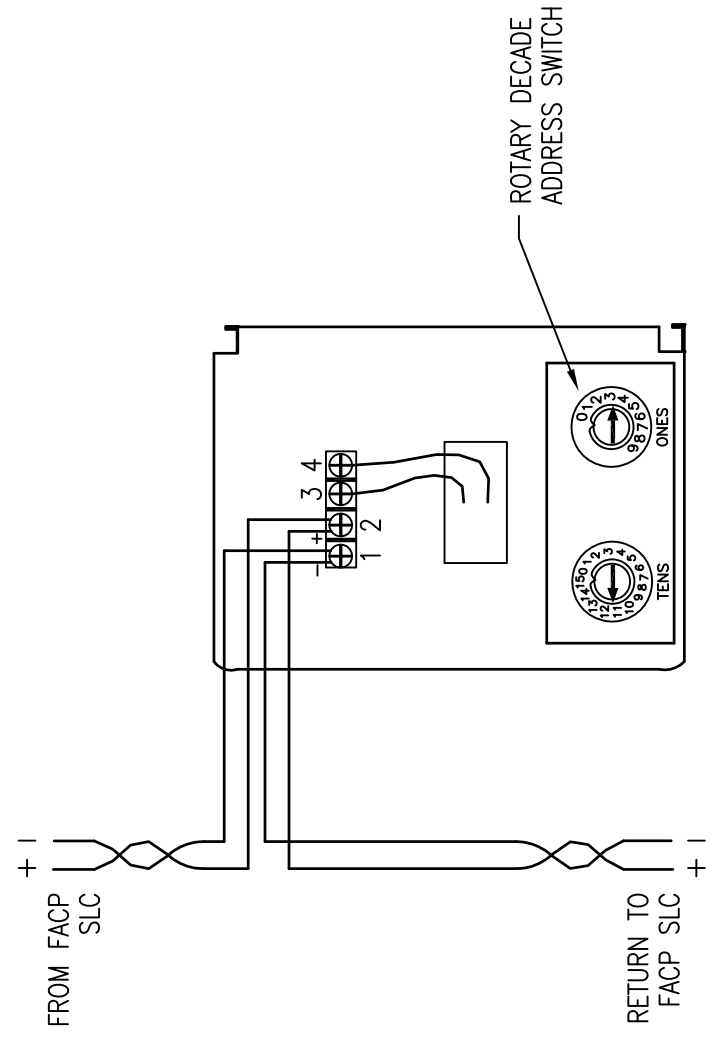


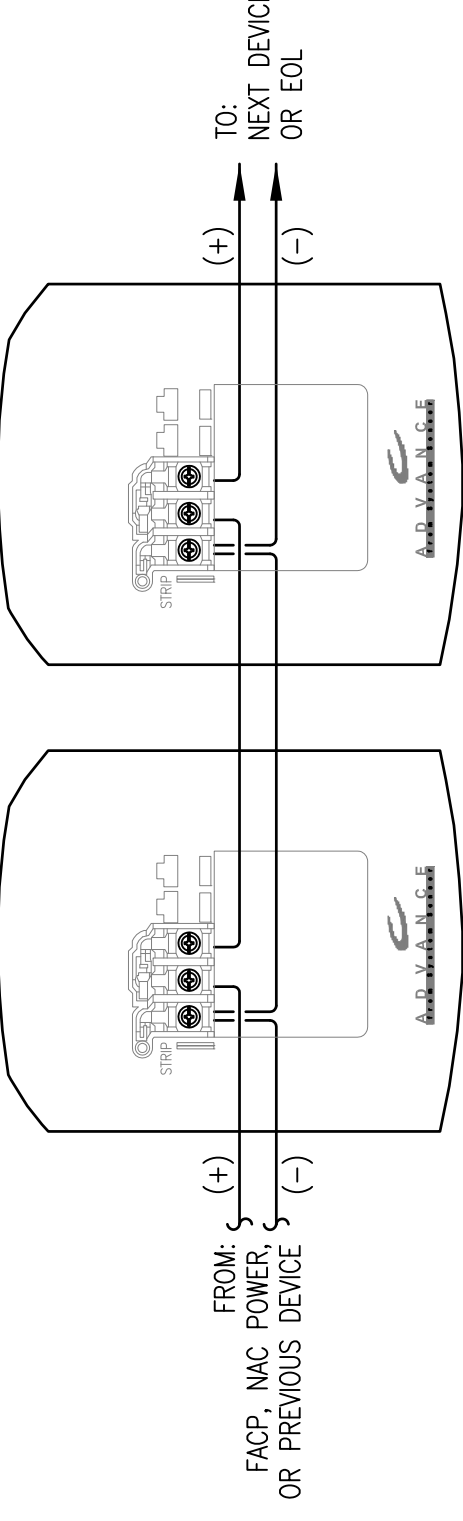
ADDRESSABLE SMOKE DETECTOR WIRING DETAIL
SCHEMATIC: NO SCALE



MANUAL PULL STATION WIRING DETAIL
SCHEMATIC: NO SCALE



WATERFLOW / TAMPER WIRING DETAIL
SCHEMATIC: NO SCALE



TYPICAL 2 WIRE NOTIFICATION WIRING DETAIL
SCHEMATIC: NO SCALE

GENERAL NOTES:

- THESE DRAWINGS ARE DIAGRAMMATIC. REFER TO THE ARCHITECTURAL DRAWINGS FOR EXACT DIMENSIONS.
- INSTALLATION SHALL COMPLY WITH NEC, NFPA 72 AND ALL OTHER APPLICABLE CODES AS REQUIRED BY THE LOCAL AUTHORITY HAVING JURISDICTION.
- WIRING DEPICTED ON THESE PLANS IS SCHEMATIC - ACTUAL WIRE LOCATIONS MAY DIFFER FROM THESE PLANS. WIRING SHALL BE PERFORMED AS ACTUAL BUILDING CONSTRUCTION CONDITIONS ALLOW AND TO MINIMIZE PENETRATIONS THROUGH AREA SEPARATION WALLS AND FIRE WALLS. THE USE OF A RACEWAY IS PERMITTED AS LONG AS NO 110V OR HIGHER VOLTAGE CABLES ARE IN THE SAME RACEWAY.
- FIRE RATINGS SHALL BE MAINTAINED FOR ALL PENETRATIONS THROUGH FIRE-RATED CONSTRUCTION.
- POWER FOR ALL FIRE ALARM PANELS AND FIRE ALARM POWER SUPPLIES MUST BE PROVIDED BY A DEDICATED AC BRANCH CIRCUIT.
- POWER-LIMITED AND NONPOWER-LIMITED CIRCUIT WIRING MUST REMAIN SEPARATED IN CABINET. ALL POWER-LIMITED CIRCUIT WIRING MUST REMAIN AT LEAST 0.25" AWAY FROM ANY NONPOWER-LIMITED CIRCUIT WIRING. FURTHERMORE, ALL POWER-LIMITED AND NONPOWER-LIMITED CIRCUIT WIRING MUST ENTER AND EXIT THE CABINET THROUGH DIFFERENT KNOCK OUTS AND/OR SEPARATE CONDUITS.
- WHEN UTILIZING CLASS "A" CIRCUITS, SEPARATE OUTGOING AND RETURN CONDUCTORS OF CLASS "A" CIRCUITS BY A MINIMUM OF 12" WHERE RUN VERTICALLY AND 48" WHERE RUN HORIZONTALLY.
- WHEN UTILIZING SHIELDED CABLE, TIE SHIELDS THROUGH AND INSULATE AT EACH JUNCTION BOX. INSULATE AND TAPE BACK AT END.
- ALL FIRE ALARM CABLING SHALL BE ACCEPTABLE TO THE FIRE ALARM EQUIPMENT MANUFACTURER FOR THE INTENDED PURPOSE.
- SMOKE DETECTORS SHALL NOT BE INSTALLED UNTIL AFTER CONSTRUCTION CLEAN-UP IS COMPLETED AND FINAL.
- LOCATE SMOKE DETECTORS A MINIMUM OF THREE (3) FEET FROM MECHANICAL DIFFUSERS. WALL-MOUNTED SMOKE DETECTORS SHALL BE LOCATED A MINIMUM OF 4" AND A MAXIMUM OF 12" FROM CEILING. CEILING-MOUNTED SMOKE DETECTORS SHALL BE MOUNTED ON CEILINGS AND NOT ON THE BOTTOMS OF BEAMS OR JOISTS.
- PROVIDE SYNCHRONIZATION OF ALL VISUAL NOTIFICATION APPLIANCE CIRCUITS. PROVIDE ALL REQUIRED SYNC MODULES. PROVIDE A MULTI-SYNC MODE SLAVE CONNECTION BETWEEN ALL SYNC MODULES.
- VERIFY ALL FIELD SELECTABLE AUDIBILITY SETTINGS OF NOTIFICATION APPLIANCES WITH FIRE ALARM CONTRACTOR.
- UPON COMPLETION OF THE FIRE ALARM SYSTEM INSTALLATION AND PROGRAMMING, THE INSTALLING CONTRACTOR SHALL PERFORM FINAL TESTING OF THE ENTIRE SYSTEM, PER ALL APPLICABLE CODES, AND SHALL COORDINATE AND PERFORM A FINAL FIRE ALARM SYSTEM INSPECTION.
- PROVIDE OFF-SITE MONITORING AS REQUIRED BY THE INTERNATIONAL FIRE CODE, SECTION 907.15 AND THE LOCAL AUTHORITY HAVING JURISDICTION.
- INSTALLING CONTRACTOR SHALL, PHYSICALLY, LABEL ALL INITIATING DEVICES AND NOTIFICATION APPLIANCE CIRCUIT END OF LINE (WHEN WIRING CLASS "B"). THESE LABELS SHALL BE IN PLACE PRIOR TO START-UP AND TESTING.

SYMBOL	DESCRIPTION	MOUNTING
FACP	FIRE ALARM CONTROL PANEL	WALL-TOP @ 66"
FPS	FIRE ALARM POWER SUPPLY	FIELD VERIFY
FSA	FIRE SYSTEM ANNUNCIATOR	WALL-TOP @ 66"
⊙	SMOKE DETECTOR	CEILING
⊙	DUCT SMOKE DETECTOR	BY OTHERS
⊙	HEAT DETECTOR	CEILING
⊙	120V COMBO SMOKE/CARBON MONOXIDE DETECTORS	CEILING MOUNT (NOT CONNECTED TO SYSTEM)
⊙	ADDRESSABLE CONTROL MODULE	FIELD VERIFY
⊙	ADDRESSABLE MONITOR MODULE	FIELD VERIFY
P	MANUAL PULL STATION	WALL @ 48"
⊙	CONTROL RELAY (MULTI-VOLTAGE)	FIELD VERIFY
⊙	ADDRESSABLE RELAY MODULE	FIELD VERIFY
⊙	WATER FLOW SWITCH	BY OTHERS
⊙	VALVE TAMPER SWITCH	BY OTHERS
⊙	KNOX BOX	FIELD VERIFY
⊙	CEILING MOUNT STROBE	FIELD VERIFY
⊙	CEILING MOUNT HORN / STROBE	FIELD VERIFY
⊙	CEILING MOUNT SPEAKER / STROBE	FIELD VERIFY
⊙	HORN	WALL @ 10'-0"
⊙	HORN / STROBE	WALL 80"-96"
⊙	SPEAKER / STROBE	WALL 80"-96"
⊙	SPEAKER	WALL @ 90"
⊙	STROBE	WALL 80"-96"

FIRE ALARM SYMBOL LEGEND
NOTE: ALL SYMBOLS MAY NOT BE USED ON THIS PROJECT

RESERVED FOR CITY STAMP

CUNNINGHAM
Security Systems
10 Prices Point Road, Yarmouth, Maine 04096
Office: 207.846.3350 • Fax: 207.846.6080

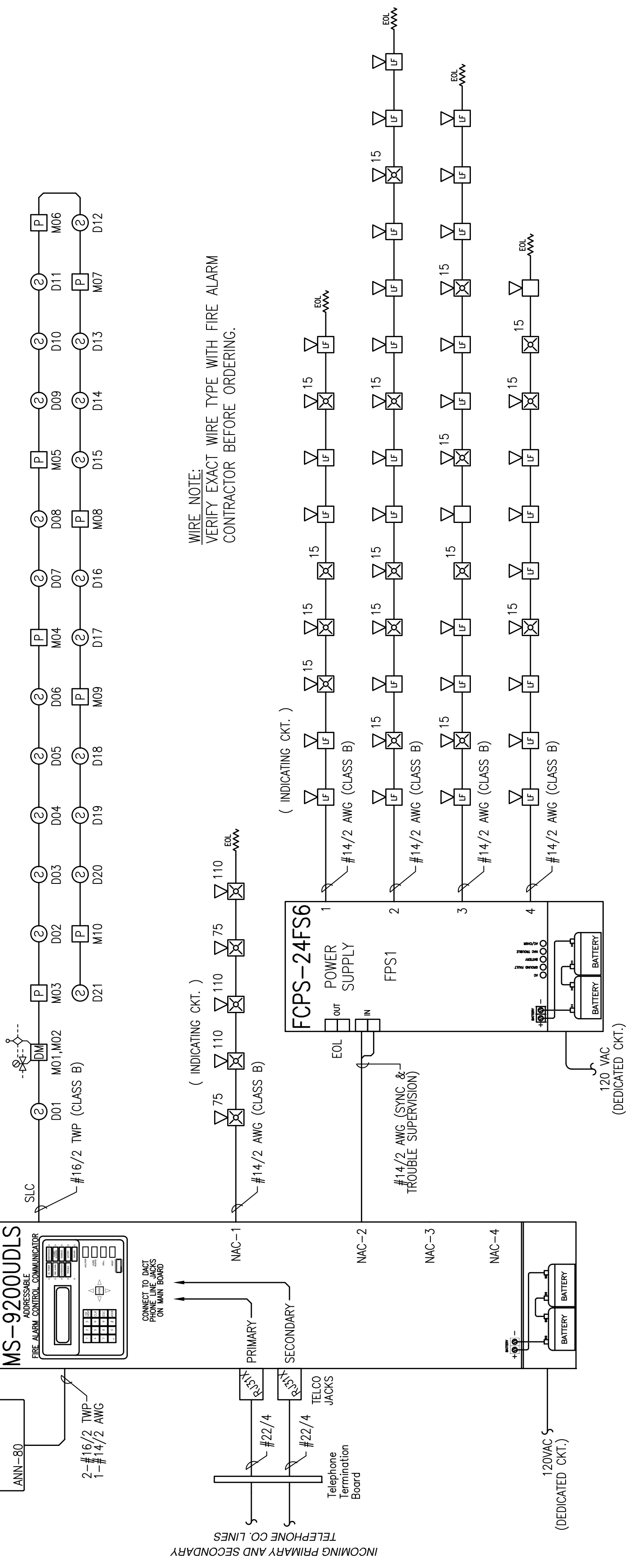
OPERATIONS MATRIX

	FIRE ALARM INPUT	SMOKE DETECTORS	PULL STATIONS	WATERFLOW SWITCHES	VALVE TAMPER SWITCHES	FIRE ALARM AC POWER FAIL	FIRE ALARM LOW BATTERY	OPEN CIRCUIT	GROUND FAULT	MAC SHORT CIRCUIT	LOSS OF AC TO BUILDING
ACTIVATE ALARM INDICATOR	●	●	●	●	●	●	●	●	●	●	●
ACTIVATE SUPERVISORY INDICATOR	●	●	●	●	●	●	●	●	●	●	●
ACTIVATE TROUBLE INDICATOR	●	●	●	●	●	●	●	●	●	●	●
ACTIVATE AUDIBLE TROUBLE INDICATOR	●	●	●	●	●	●	●	●	●	●	●
ACTIVATE AUDIBLE SUPERVISORY SIGNAL	●	●	●	●	●	●	●	●	●	●	●
ACTIVATE AUDIBLE TROUBLE SIGNAL	●	●	●	●	●	●	●	●	●	●	●
ACTIVATE SUPERVISORY SIGNAL	●	●	●	●	●	●	●	●	●	●	●
TRANSMIT TROUBLE SIGNAL	●	●	●	●	●	●	●	●	●	●	●
TRANSMIT SUPERVISORY SIGNAL	●	●	●	●	●	●	●	●	●	●	●

APPLICABLE CODES:

MAINE UNIFORM ENERGY & BUILDING CODE
PORTLAND CITY CODE - CHAPTER 10, FIRE PREVENTION & PROTECTION
NFPA 1, FIRE CODE, & NFPA 101, LIFE SAFETY CODE

FIRE ALARM RISER DIAGRAM
SCHEMATIC: NO SCALE



PLEASANT AVENUE
PORTLAND, MAINE
DETAILS, LEGEND, MATRIX, NOTES, RISER

DRAWN	JPB UNICAD JOB #16232
CHECKED	WAYNE B. HANS NCEET # 90496
DATE	5/3/2016
REVISION	0
SCALE	NONE

UNICAD Inc.
Fire Alarm Design & Drafting Services
578 W. 40th St.
Portland, ME 04102
Office: 601.865.6410
www.unicad.net

FA-1