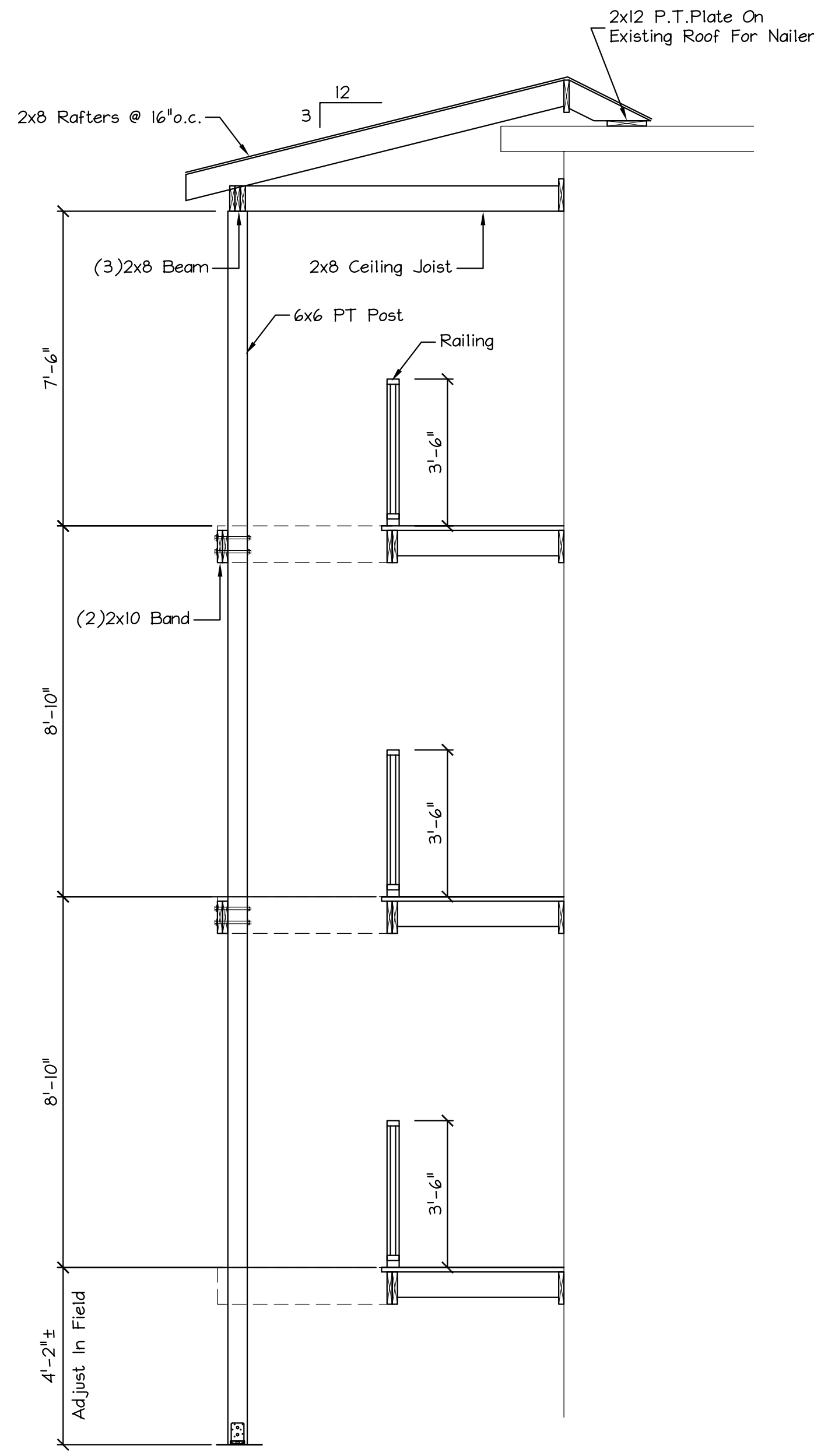
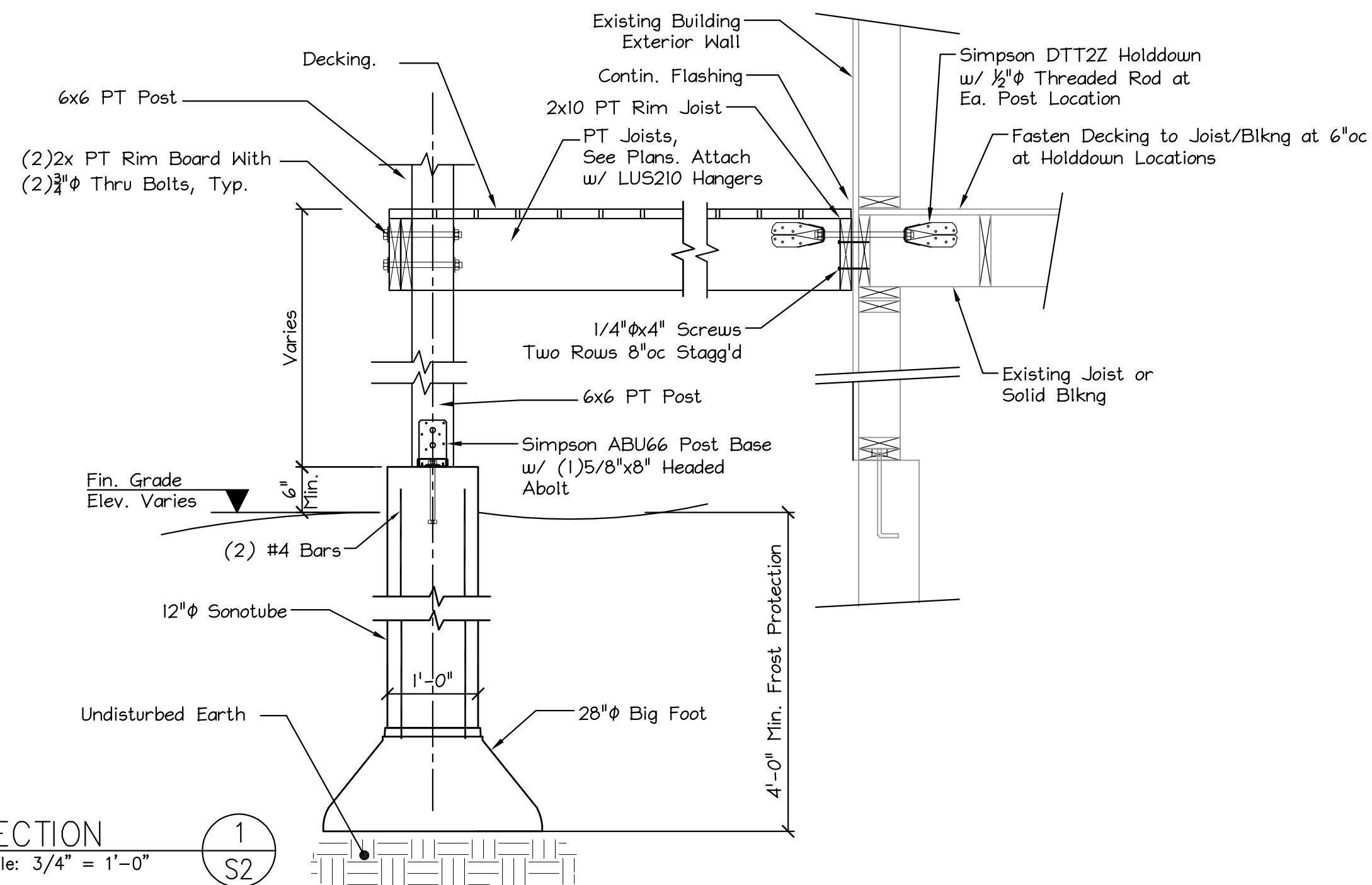


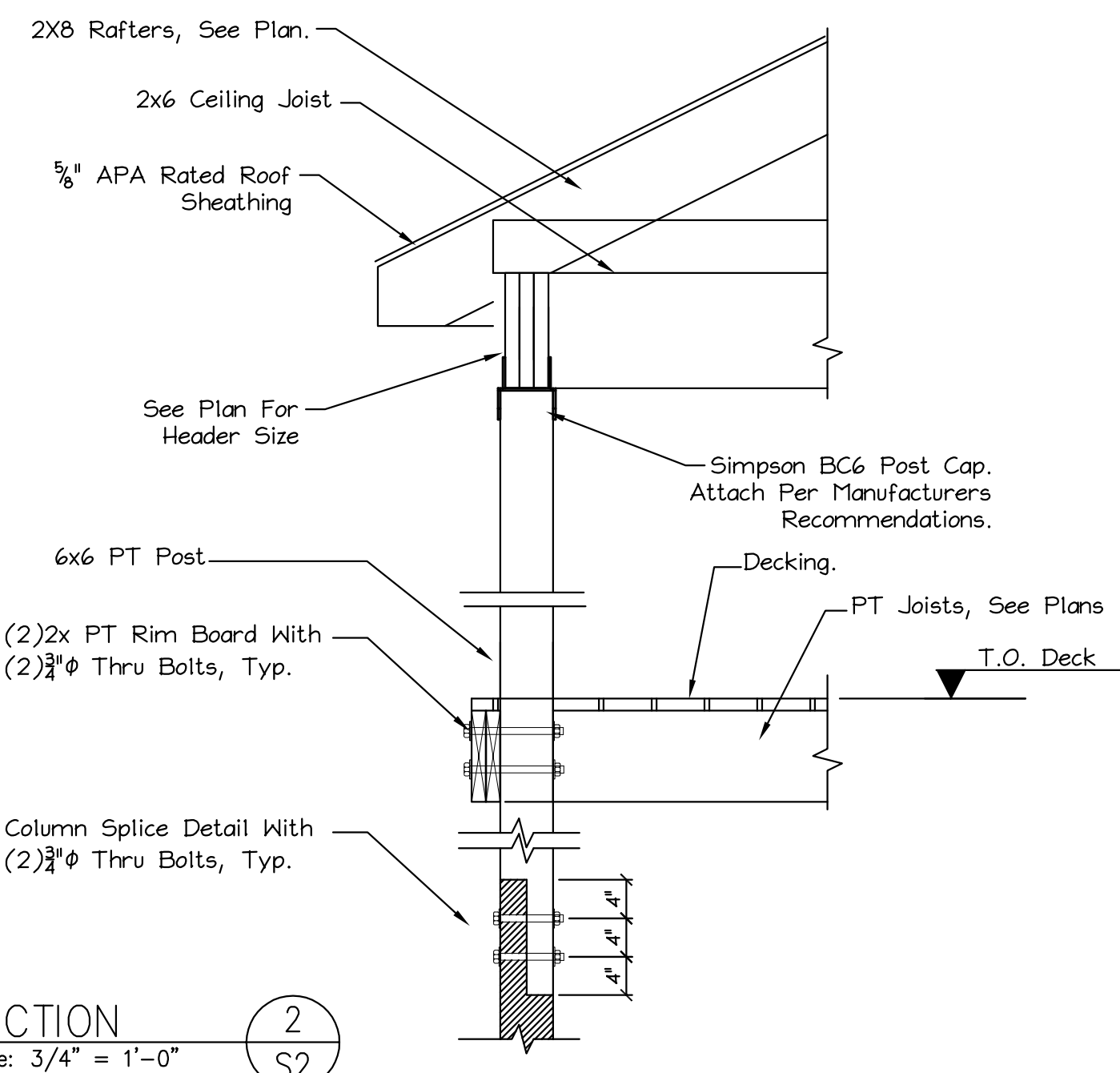
SECTION 1  
Scale: 3/8" = 1'-0"  
S2



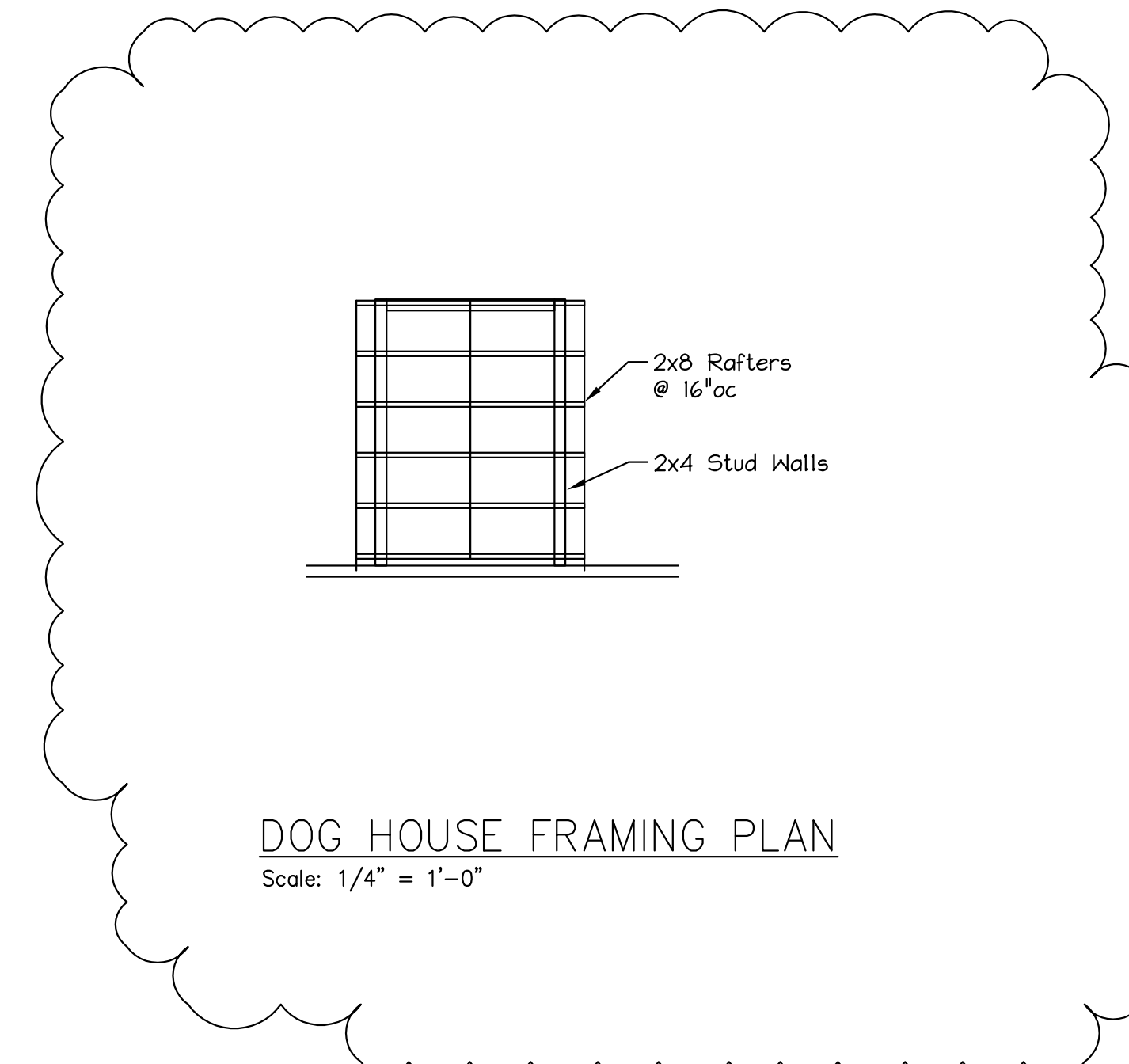
SECTION 2  
Scale: 3/8" = 1'-0"  
S2



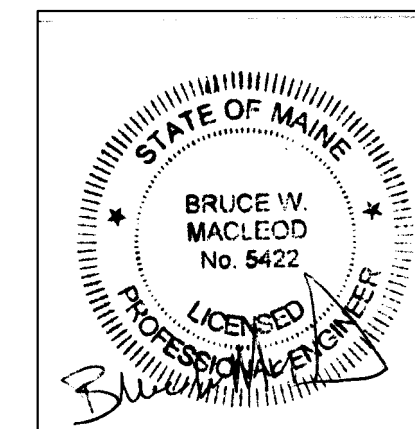
SECTION 1  
Scale: 3/4" = 1'-0"  
S2



SECTION 2  
Scale: 3/4" = 1'-0"  
S2



DOG HOUSE FRAMING PLAN  
Scale: 1/4" = 1'-0"



<b>MacLeod</b> Structural Engineers, PA		
404 Main Street Corham, Maine 04038 207.839.0980		
732 Forest Ave. Portland, Maine		
TITLE: BUILDING SECTIONS		
DATE: 4/25/17	DRAWN BY: BIM	DRAWING NUMBER:
SCALE: as noted	PROJ NO: 2017-031	S-3.0