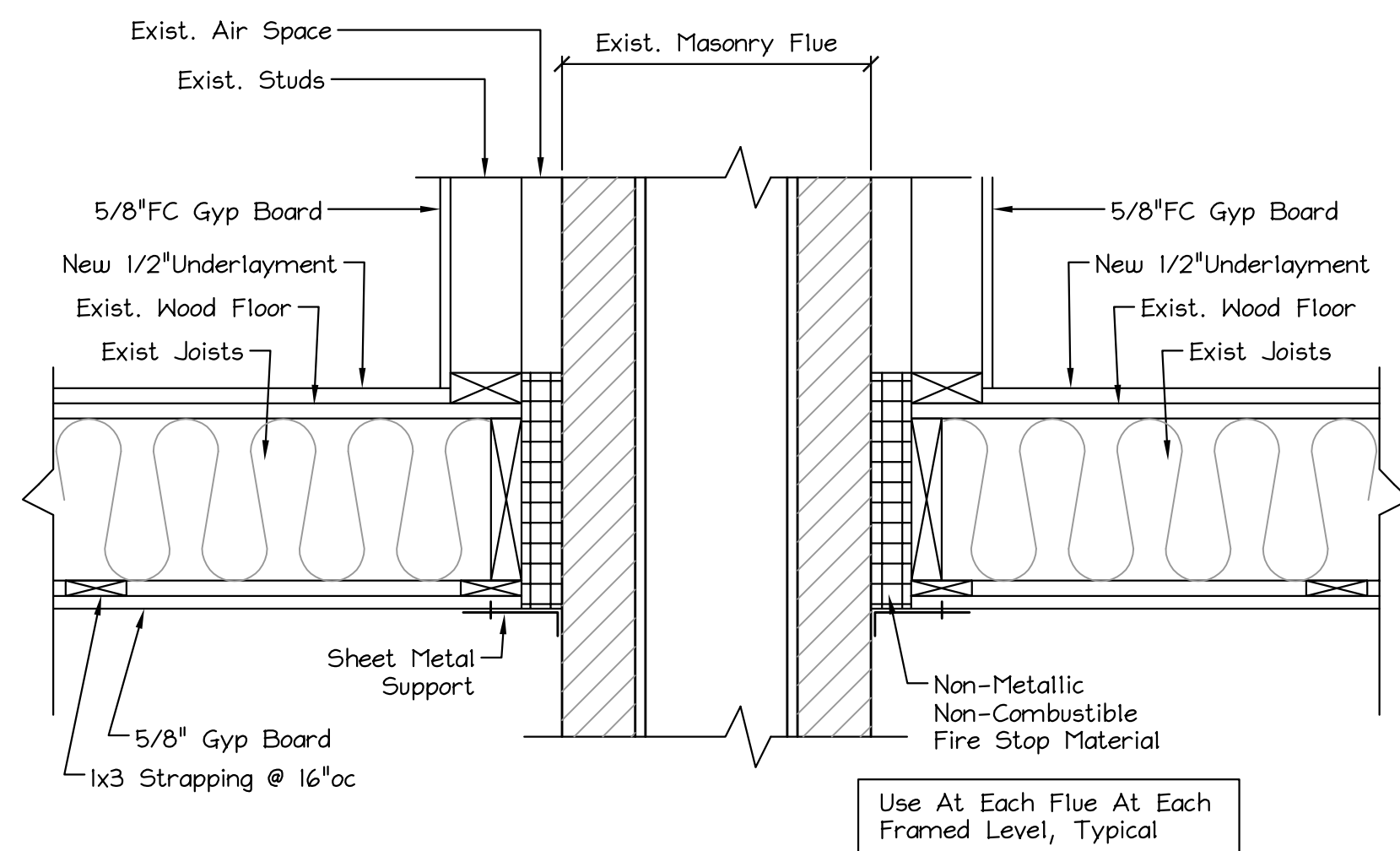
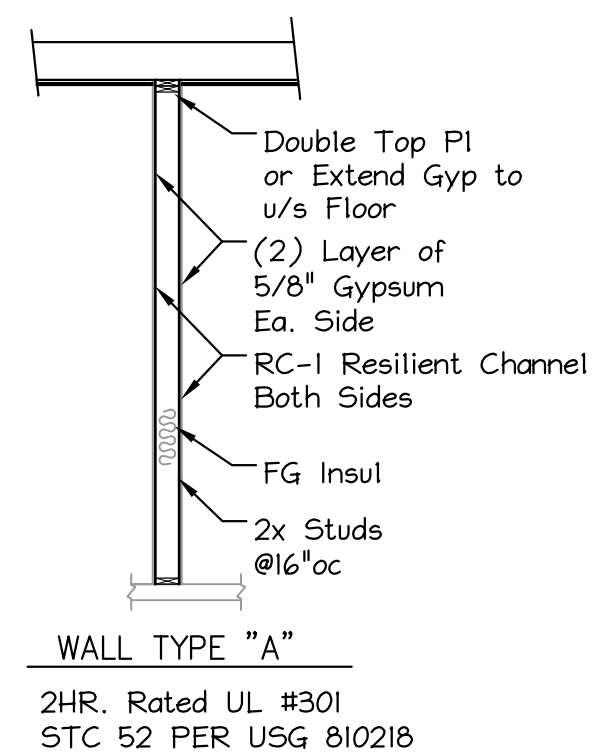


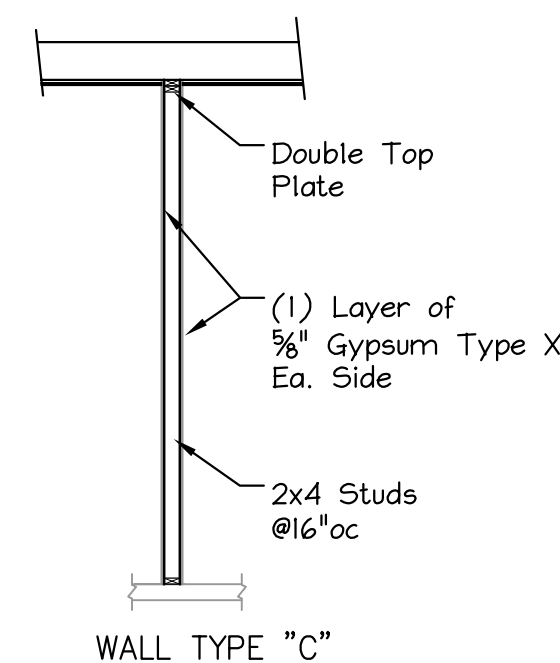
DETAIL A-3 Typical Framing/Fire Blocking Detail
Scale: 1 1/2" = 1'-0"



DETAIL B Typical Flue Fire Stop Detail
Scale: 1 1/2" = 1'-0"

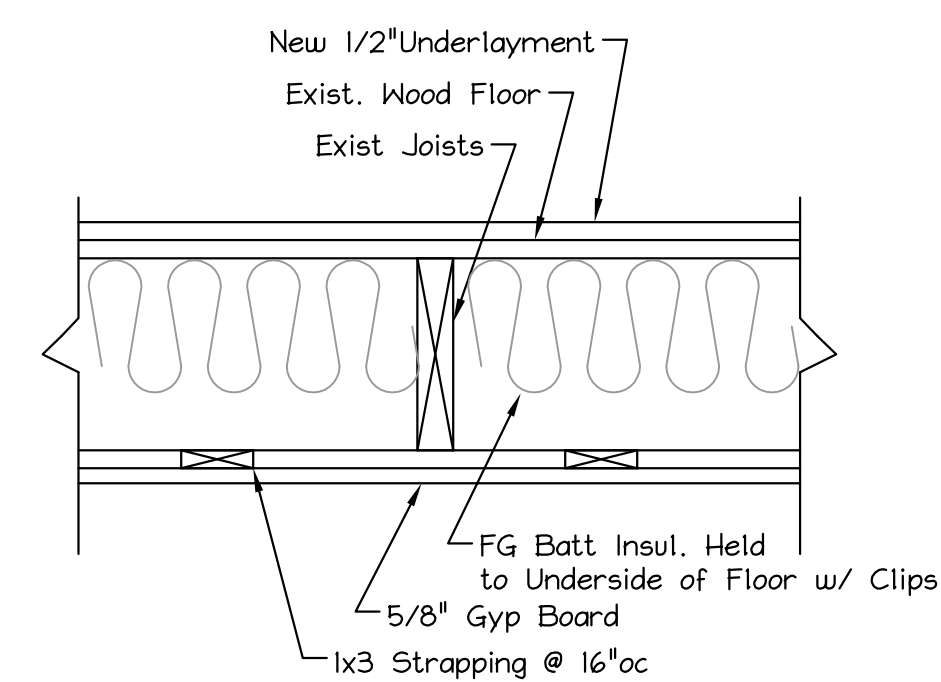


WALL TYPE "A"
2HR. Rated UL #301
STC 52 PER USG 810218



WALL TYPE "C"

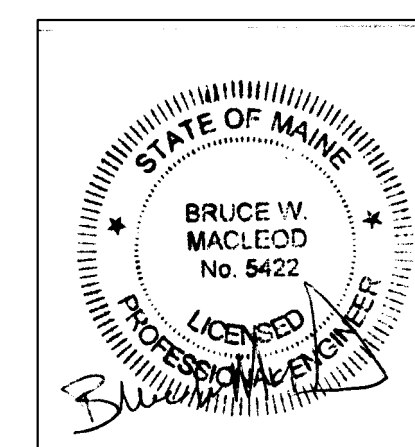
PARTITION TYPES



Ceiling Assembly
1 Hour Rated UL #U501
STC 55 Per RAL-INO-006

092817

FOR PERMIT
ISSUED
10/2/17



MacLeod
Structural Engineers, PA
90 Bridge Street Ste252 Westbrook, Maine 04038 207.839.0980
732 Forest Ave.
Portland, Maine
TITLE: FIRE BLOCKING/PENETRATIONS
DATE: 4/25/17 DRAWN BY: BIM DRAWING NUMBER:
SCALE: as noted PROJ NO: 2017-031 A-0.1