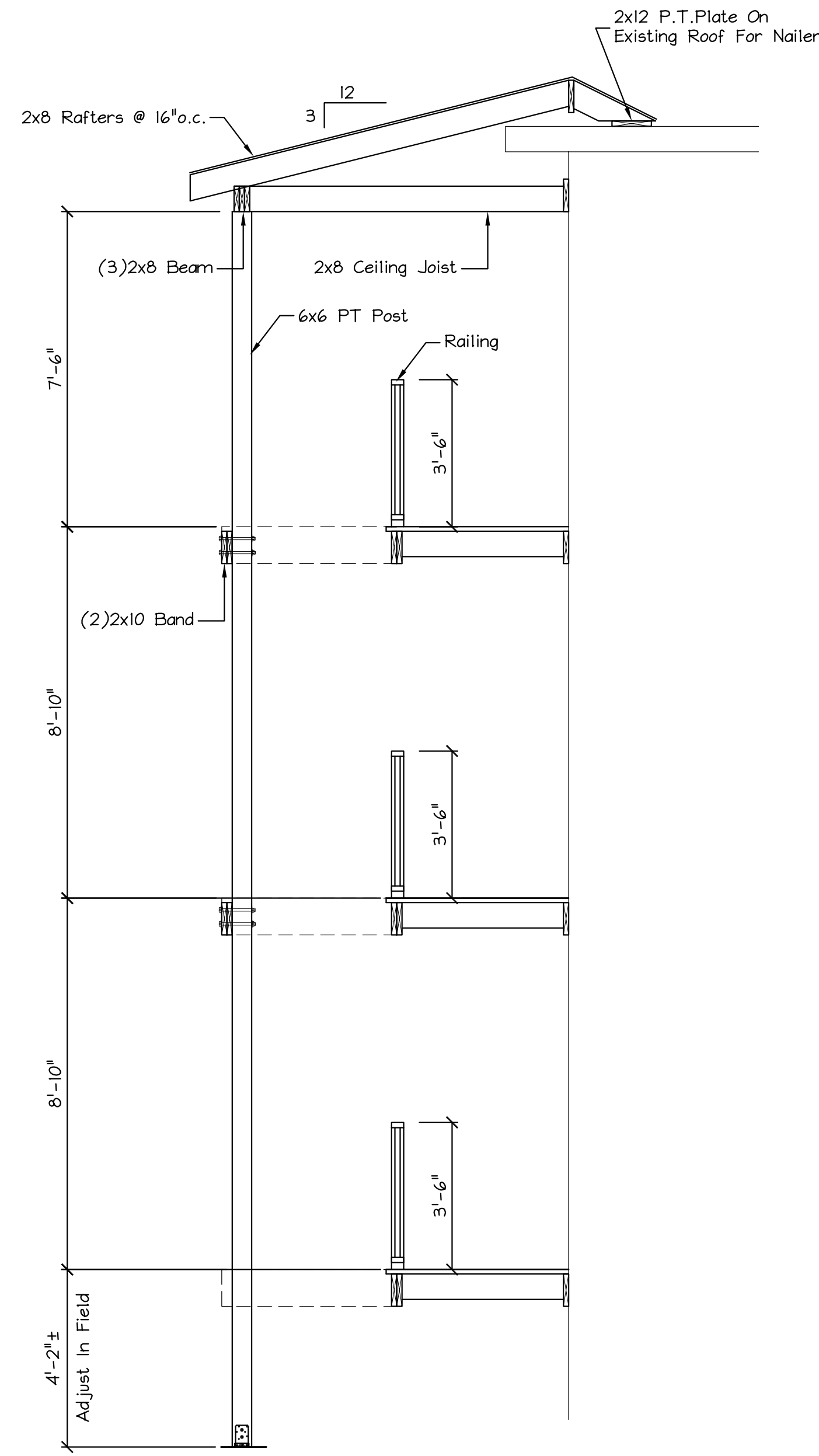
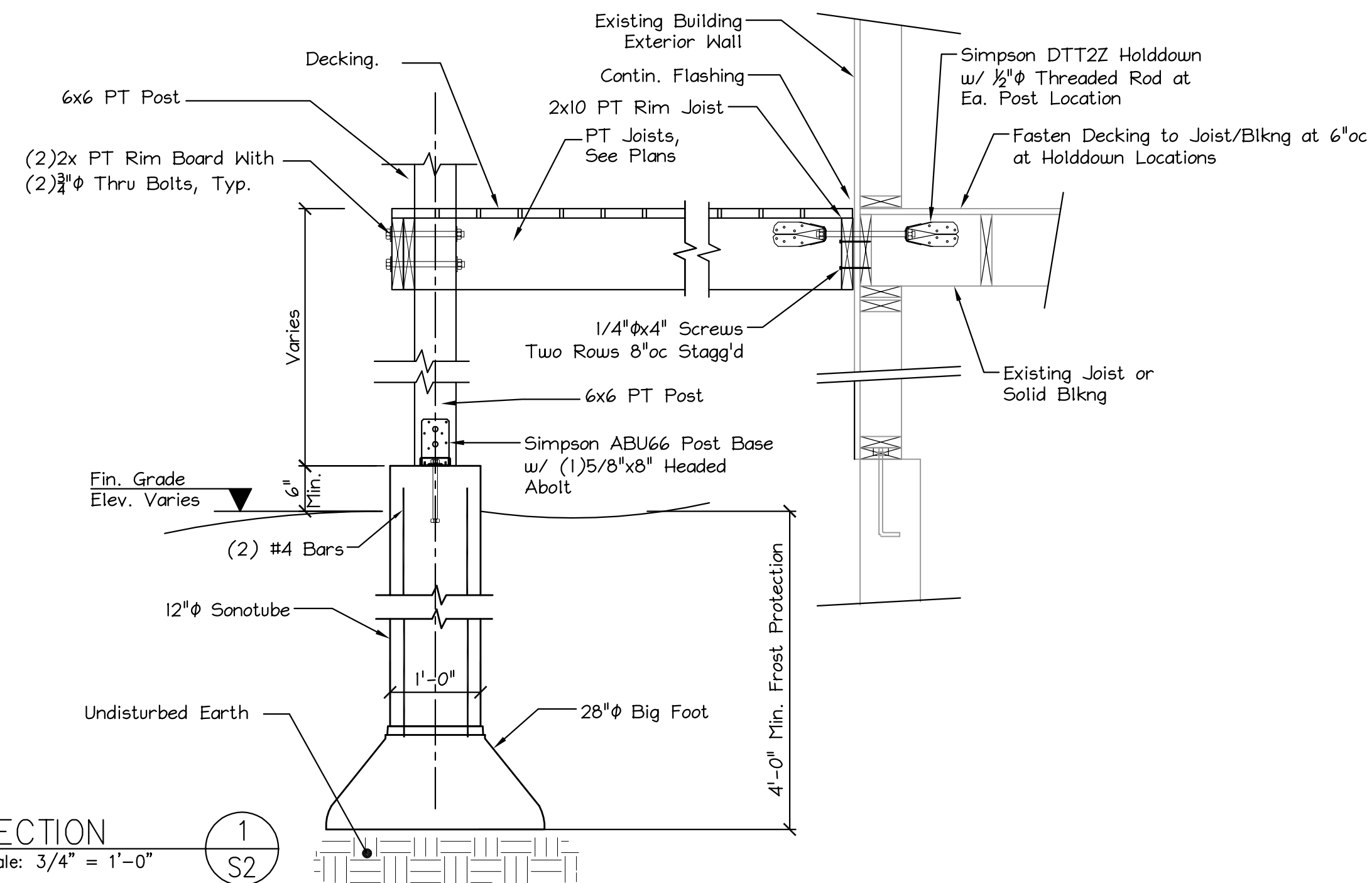


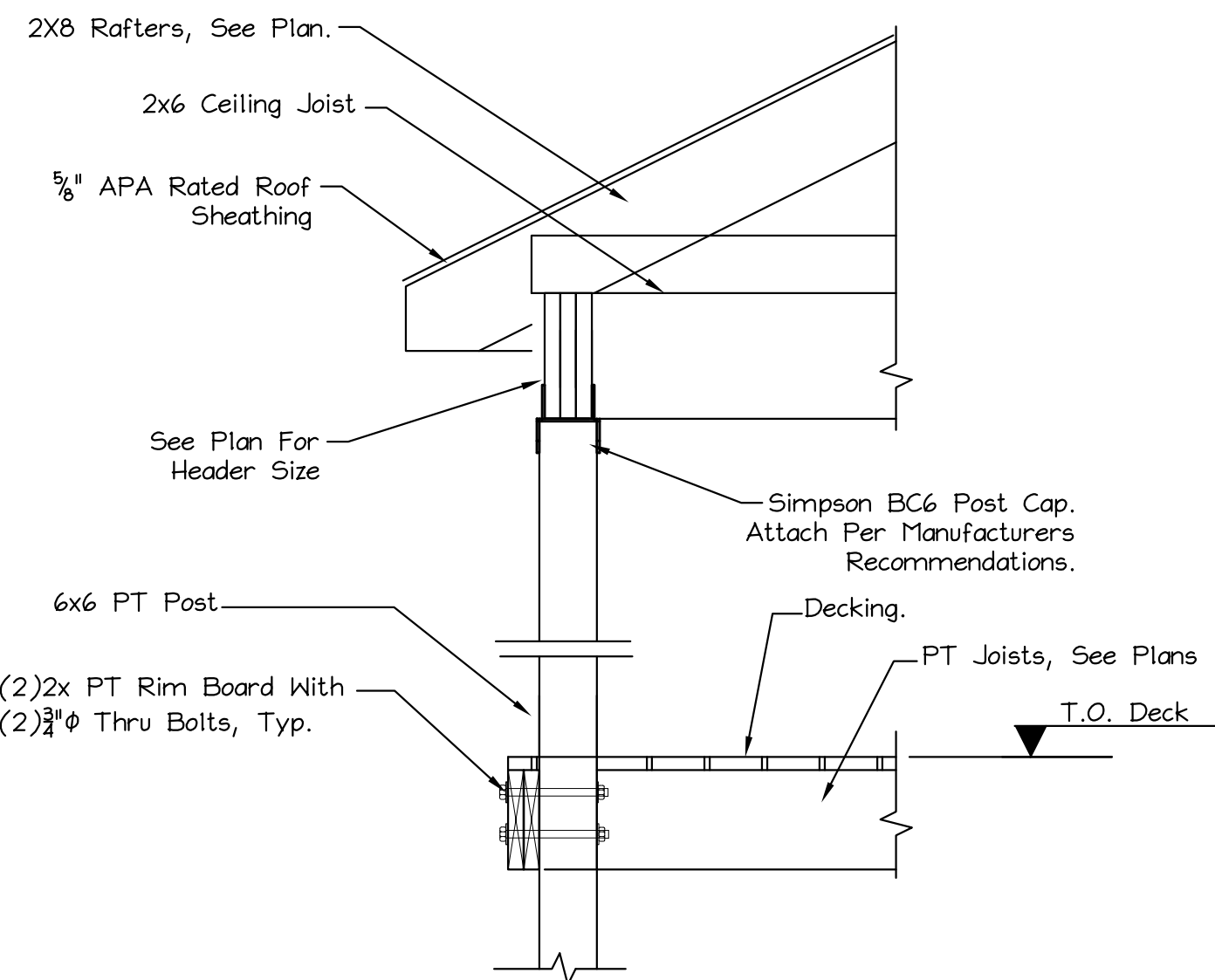
SECTION 1
Scale: 3/8" = 1'-0"



SECTION 2
Scale: 3/8" = 1'-0"



SECTION 1
Scale: 3/4" = 1'-0"



SECTION 2
Scale: 3/4" = 1'-0"

MacLeod Structural Engineers, PA		
404 Main Street	Corham, Maine 04038	207.839.0980
732 Forest Ave.		
Portland, Maine		
TITLE: BUILDING SECTIONS		
DATE: 4/25/17	DRAWN BY: BIM	DRAWING NUMBER:
SCALE: as noted	PROJ. NO: 2017-031	S-3.0