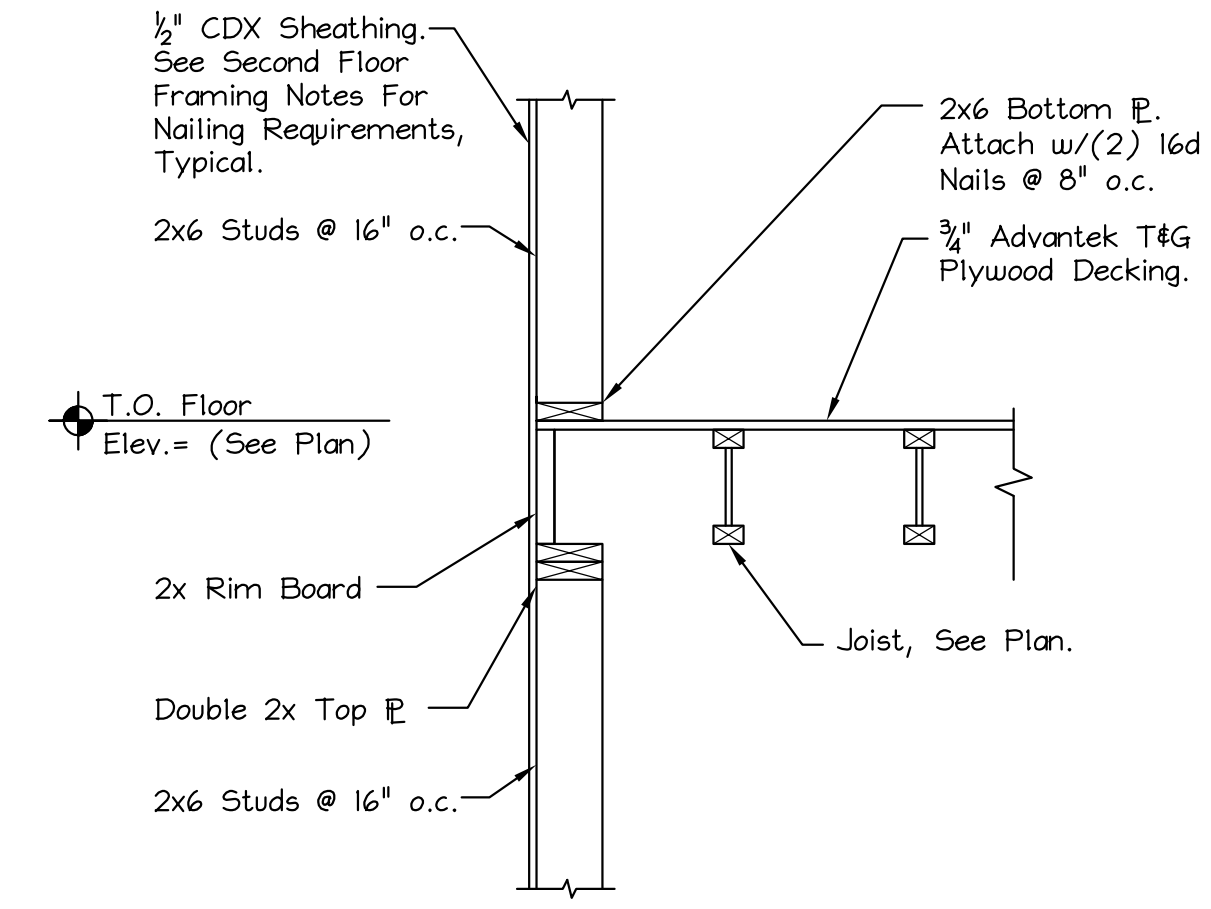
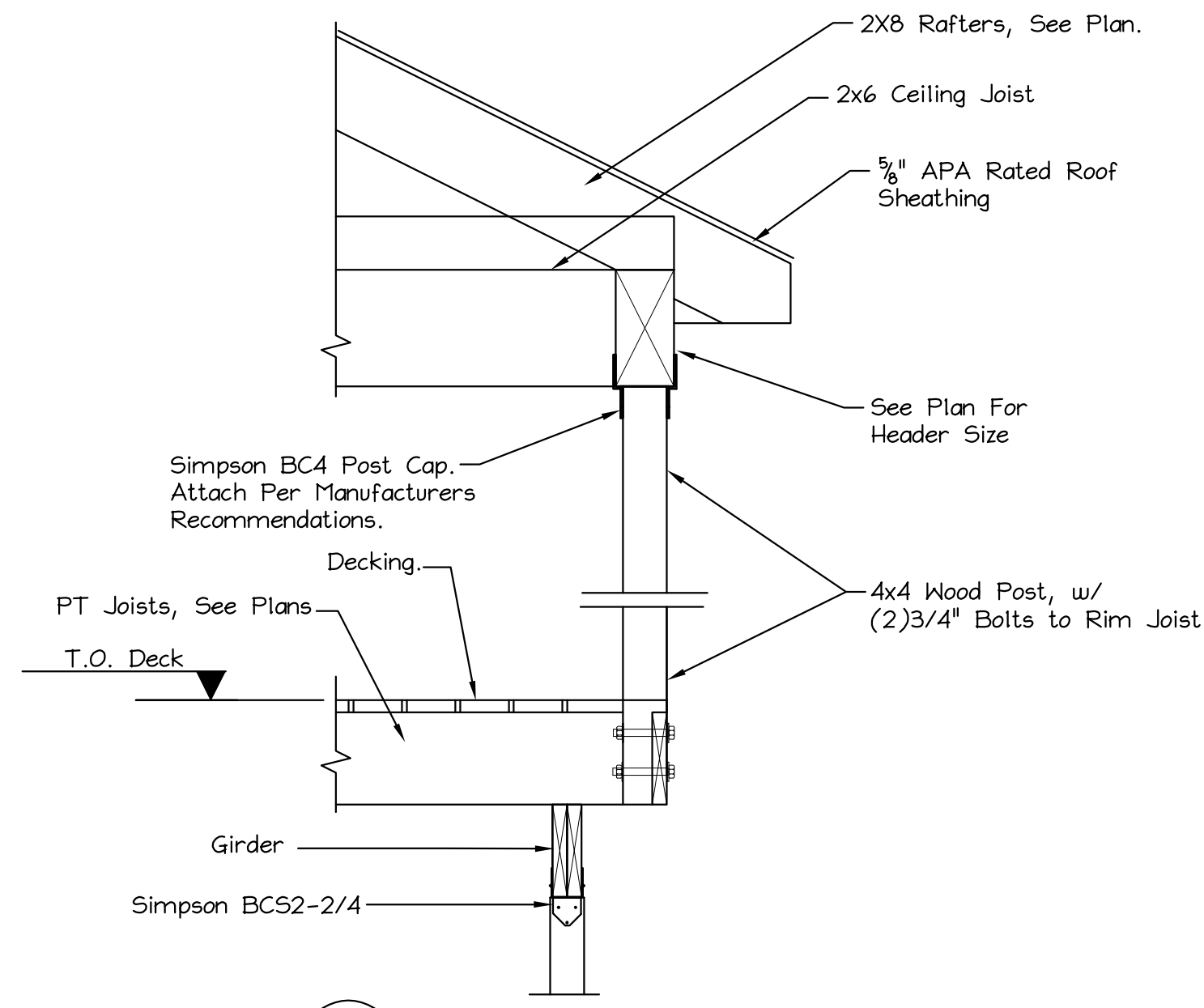


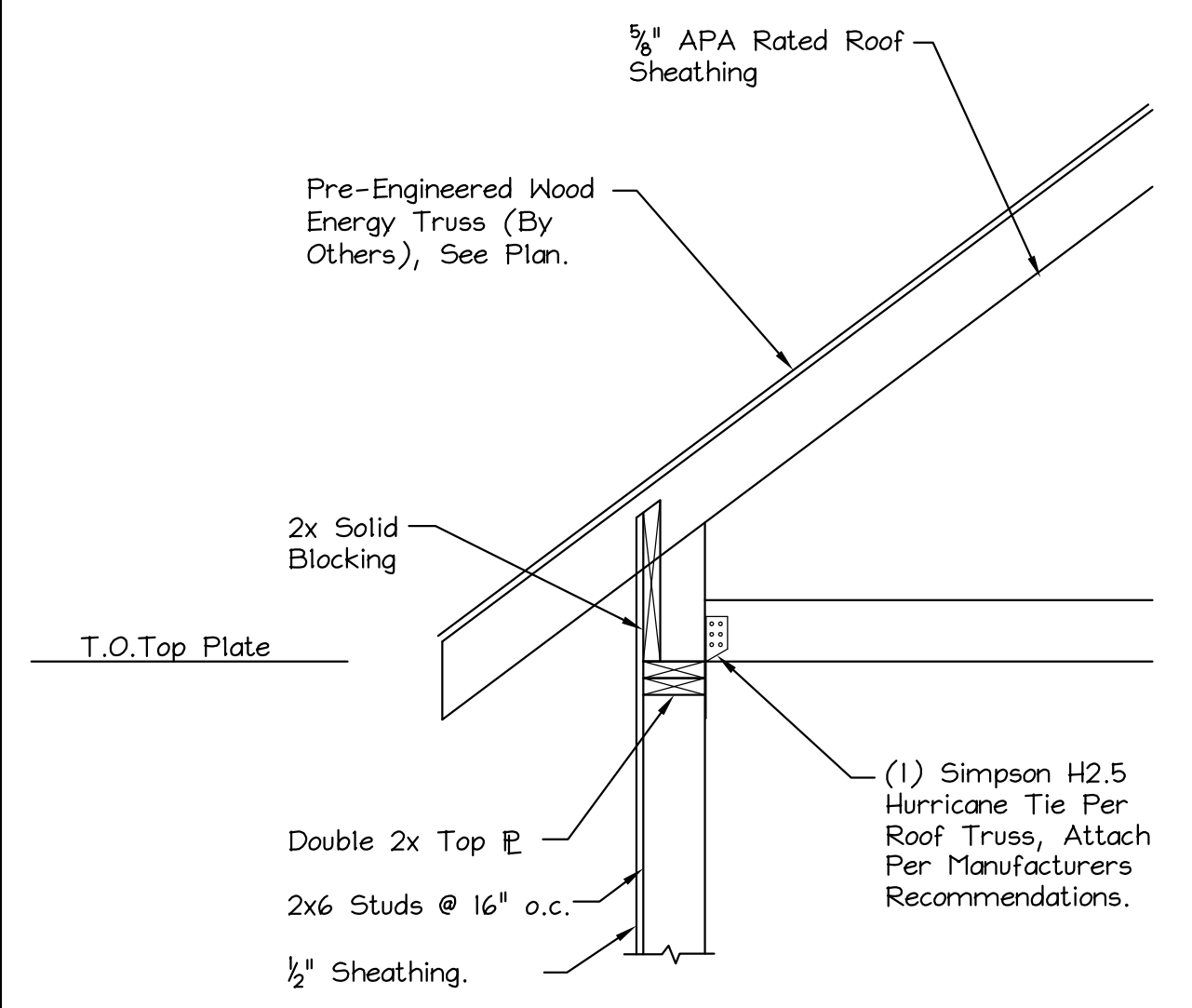
SECTION 1
Scale: 3/4" = 1'-0"



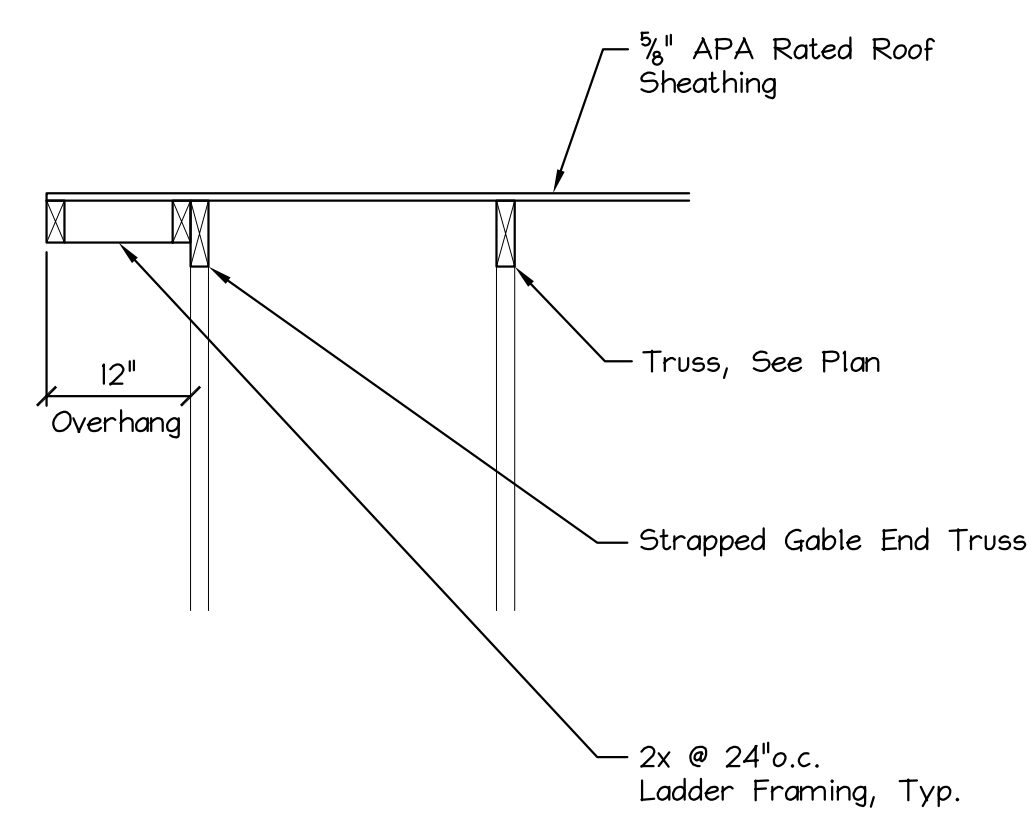
SECTION 2
Scale: 3/4" = 1'-0"



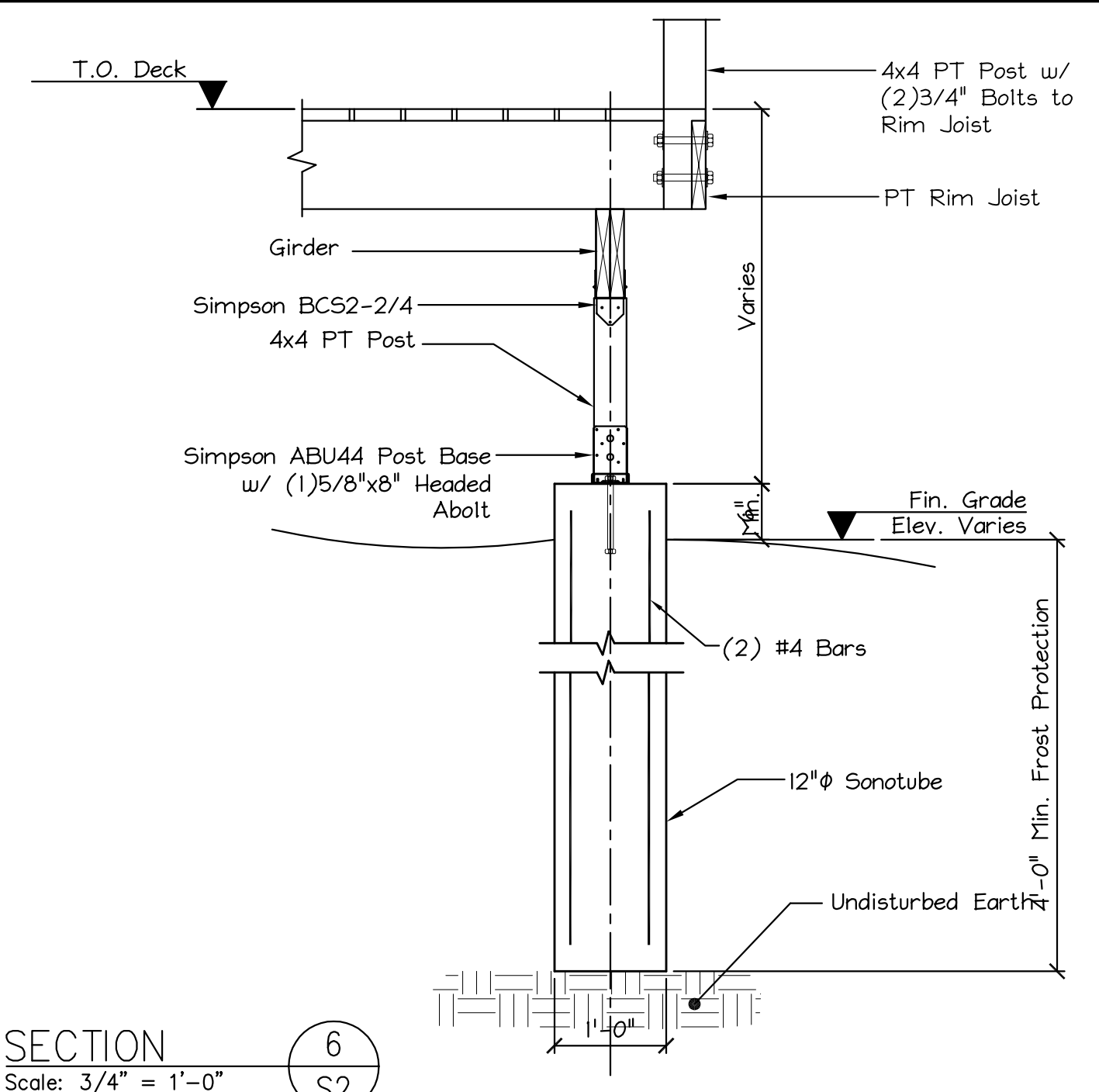
SECTION 3
Scale: 3/4" = 1'-0"



SECTION 4
Scale: 3/4" = 1'-0"

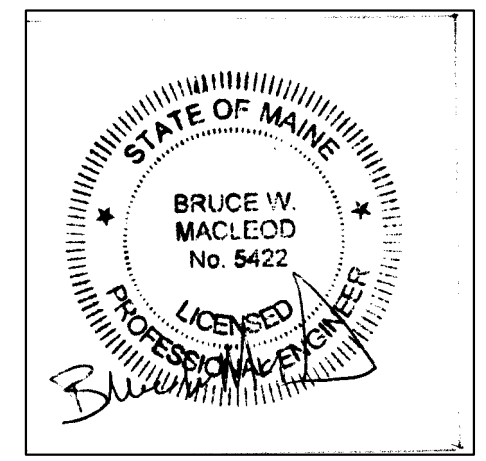


SECTION 5
Scale: 3/4" = 1'-0"



SECTION 6
Scale: 3/4" = 1'-0"

FOR PERMIT
ISSUED
2/06/17



MacLeod Structural Engineers, PA		
90 Bridge Street Ste252 Westbrook, Maine 04038 207.839.0980		
167-169 Woodford Street		
Portland, Maine		
TITLE: Wall Sections & Details		
DATE: 1/27/17	DRAWN BY: BIM	DRAWING NUMBER:
SCALE: as noted	PROJ NO: 2017-010	S-3.1