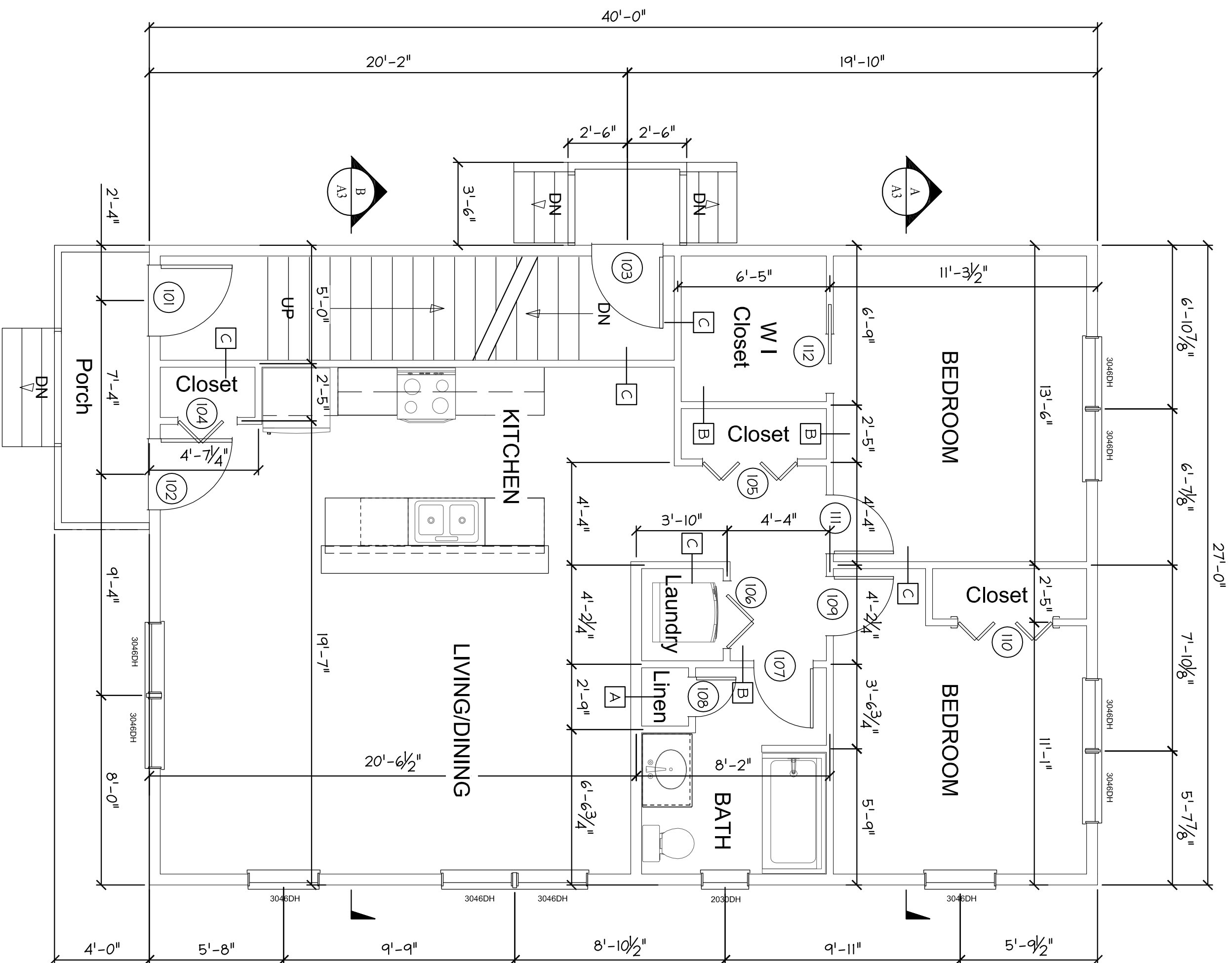


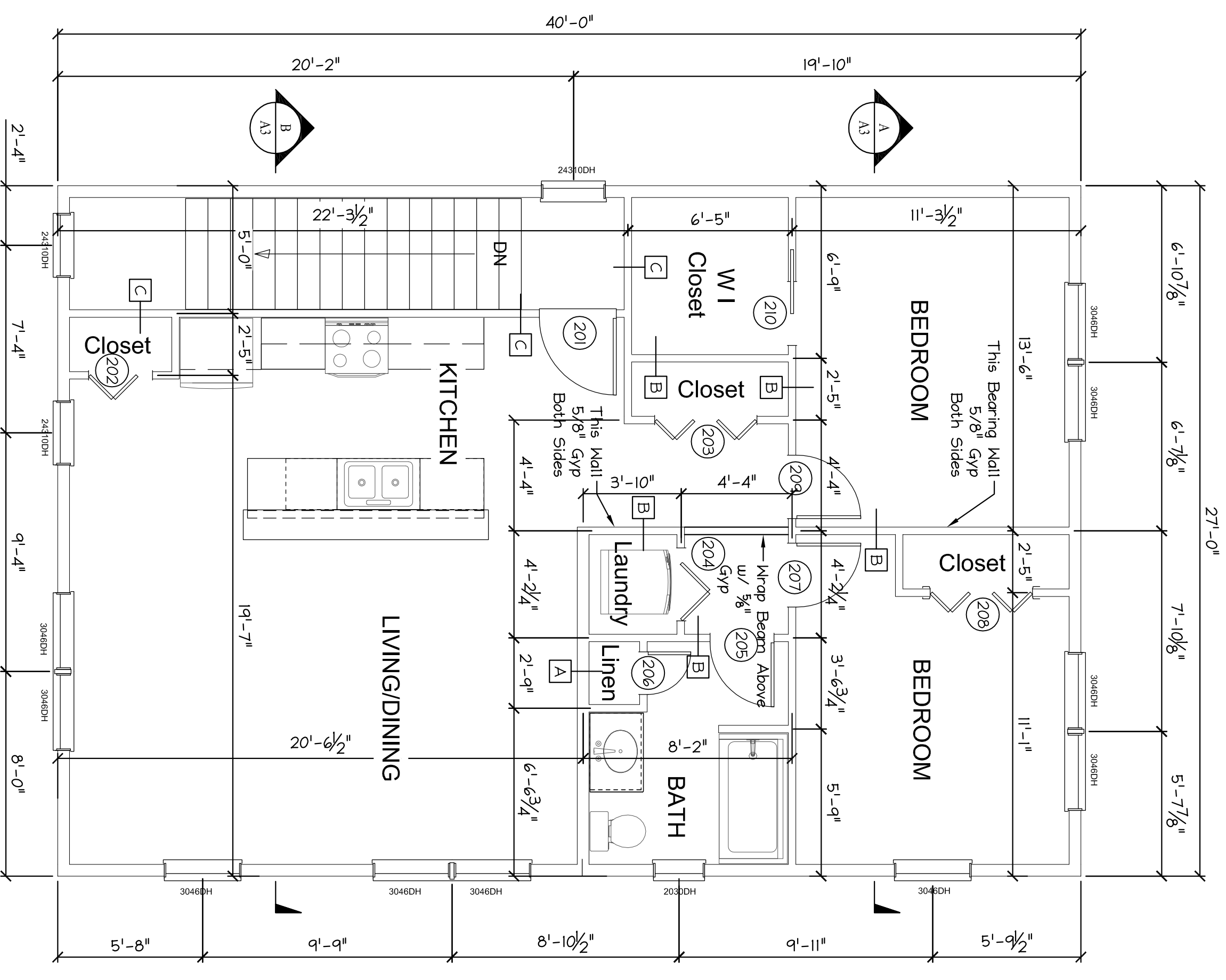
BASEMENT PLAN
Scale: 1/4" = 1'-0"

DOOR SCHEDULE - 1st & 2nd Floors

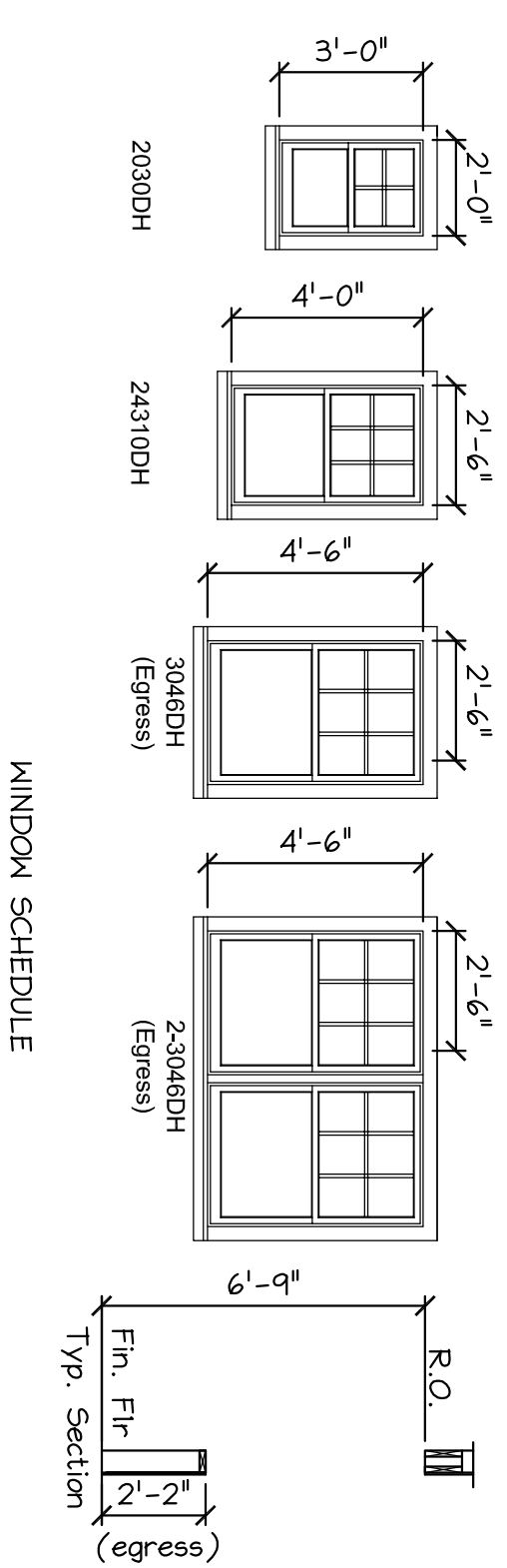
| DOOR NO. | SIZE | LABEL | LOCATION | TYPE | ELEV | REMARKS |
|----------|-------------|-------|------------------|------------------|------|---------|
| 001 | 3'-0"x6'-8" | I HR | BASEMENT | INT./SOLID CORE | 3 | |
| 101 | 3'-0"x6'-8" | --- | ENTRY | EXT./INSULATED | 2 | |
| 102 | 3'-0"x6'-8" | --- | ENTRY UNIT 1 | EXT./INSULATED | 2 | |
| 103 | 3'-0"x6'-8" | --- | BASEMENT ENTRY | EXT./INSULATED | 1 | |
| 104 | 2'-6"x6'-8" | --- | ENTRY CLOSET | INT./HOLLOW CORE | 5 | BIFOLD |
| 105 | 4'-0"x6'-8" | --- | HALL CLOSET | INT./HOLLOW CORE | 5 | BIFOLD |
| 106 | 3'-0"x6'-8" | --- | LAUNDRY | INT./HOLLOW CORE | 5 | BIFOLD |
| 107 | 2'-6"x6'-8" | --- | BATH | INT./HOLLOW CORE | 4 | |
| 108 | 1'-8"x6'-8" | --- | LAUNDRY | INT./HOLLOW CORE | 4 | |
| 109 | 2'-6"x6'-8" | --- | LAUNDRY | INT./HOLLOW CORE | 4 | |
| 110 | 4'-0"x6'-8" | --- | BEDROOM 2 | INT./HOLLOW CORE | 5 | BIFOLD |
| 111 | 2'-6"x6'-8" | --- | BEDROOM 1 | INT./HOLLOW CORE | 4 | |
| 112 | 2'-6"x6'-8" | --- | BEDROOM 1 CLOSET | INT./HOLLOW CORE | 6 | POCKET |
| 201 | 3'-0"x6'-8" | I HR | ENTRY UNIT 2 | INT./SOLID CORE | 3 | |
| 202 | 2'-6"x6'-8" | --- | ENTRY CLOSET | INT./HOLLOW CORE | 5 | BIFOLD |
| 203 | 4'-0"x6'-8" | --- | HALL CLOSET | INT./HOLLOW CORE | 5 | BIFOLD |
| 204 | 3'-0"x6'-8" | --- | LAUNDRY | INT./HOLLOW CORE | 5 | BIFOLD |
| 205 | 2'-6"x6'-8" | --- | BATH | INT./HOLLOW CORE | 4 | |
| 206 | 1'-8"x6'-8" | --- | LAUNDRY | INT./HOLLOW CORE | 4 | |
| 207 | 2'-6"x6'-8" | --- | BEDROOM 2 | INT./HOLLOW CORE | 4 | |
| 208 | 4'-0"x6'-8" | --- | BEDROOM 2 CLOSET | INT./HOLLOW CORE | 5 | BIFOLD |
| 209 | 2'-6"x6'-8" | --- | BEDROOM 1 | INT./HOLLOW CORE | 4 | |
| 210 | 2'-6"x6'-8" | --- | BEDROOM 1 CLOSET | INT./HOLLOW CORE | 6 | POCKET |



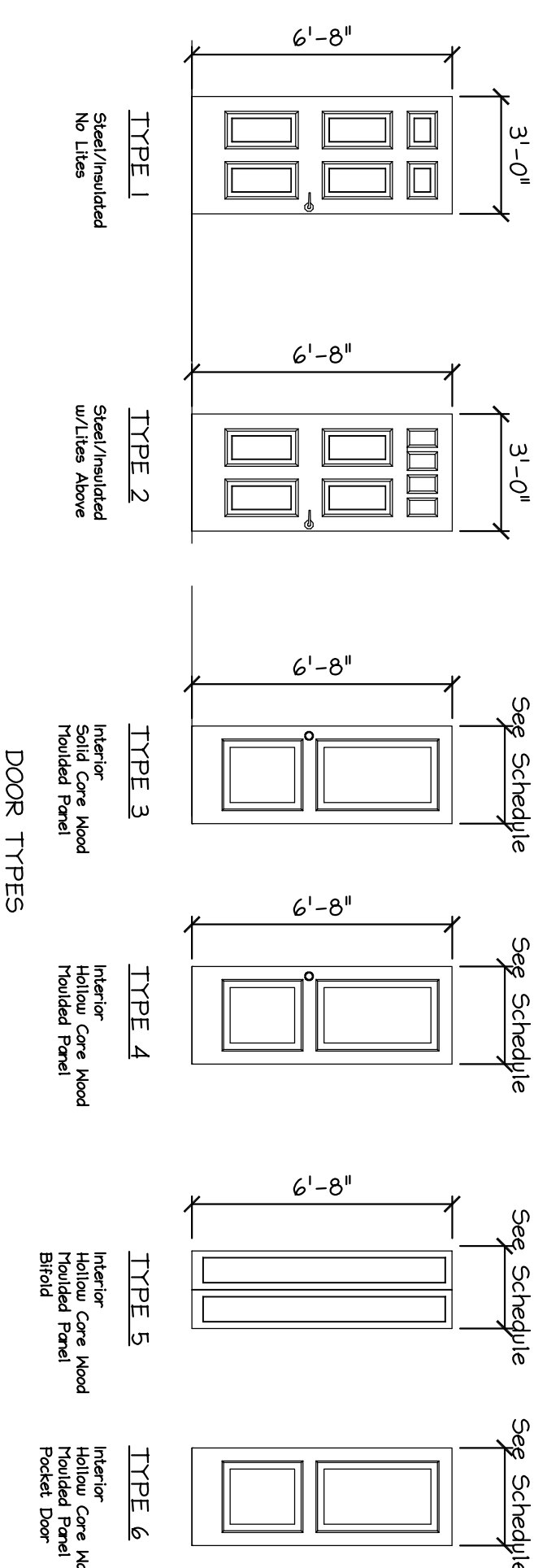
FIRST FLOOR PLAN
Scale: 1/4" = 1'-0"



SECOND FLOOR PLAN
Scale: 1/4" = 1'-0"

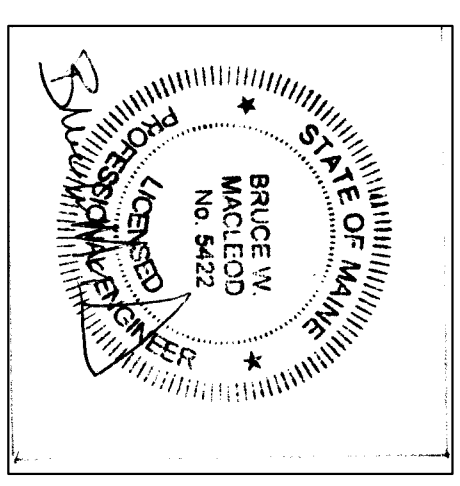


WINDOW SCHEDULE



DOOR TYPES

FOR PERMIT
ISSUED
2/23/17



MacLeod
Structural Engineers, Inc.
90 Bridge Street, Suite 202, Westbrook, Maine 04092 | 207.239.0980
167-189 Woodford Street
Portland, Maine

Permit, Maine

DATE: 1/27/17 **DRAWN BY:** BMM **DRAWING NUMBER:** A-1.0
SCALE: as noted **PROJECT NO:** 207-210

TITLE: Floor Plans