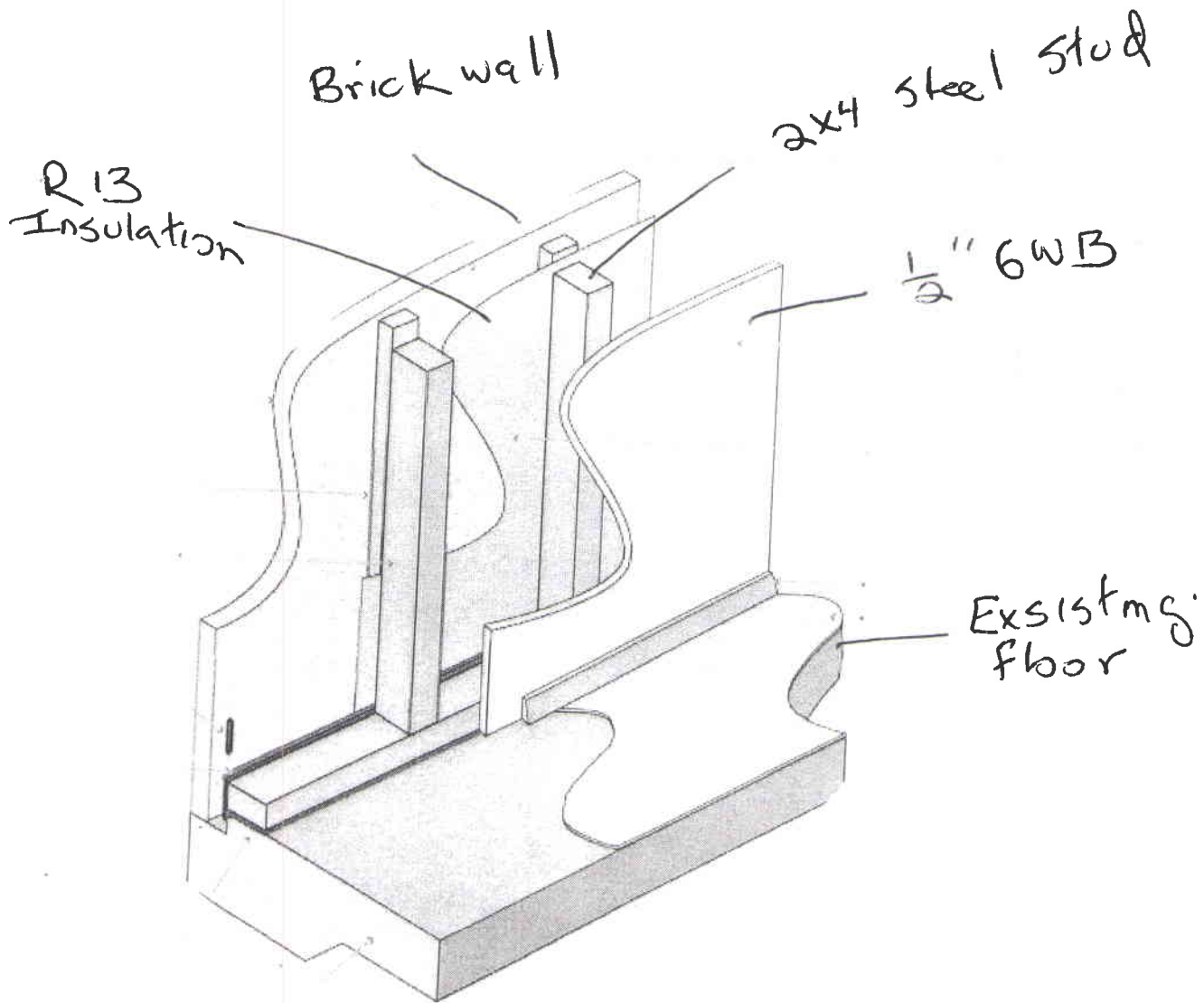
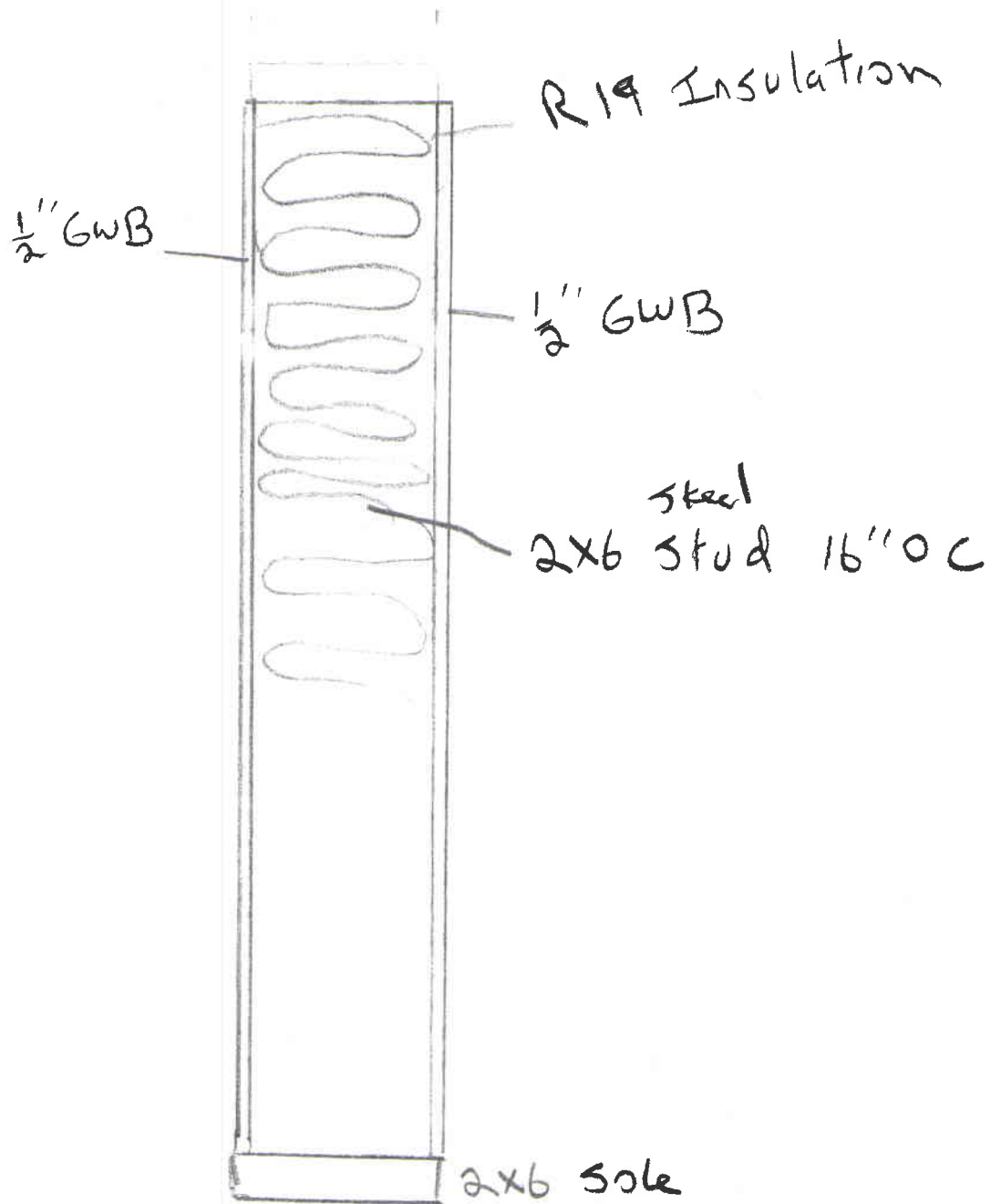


# Interior Wall Section Wall Type 1

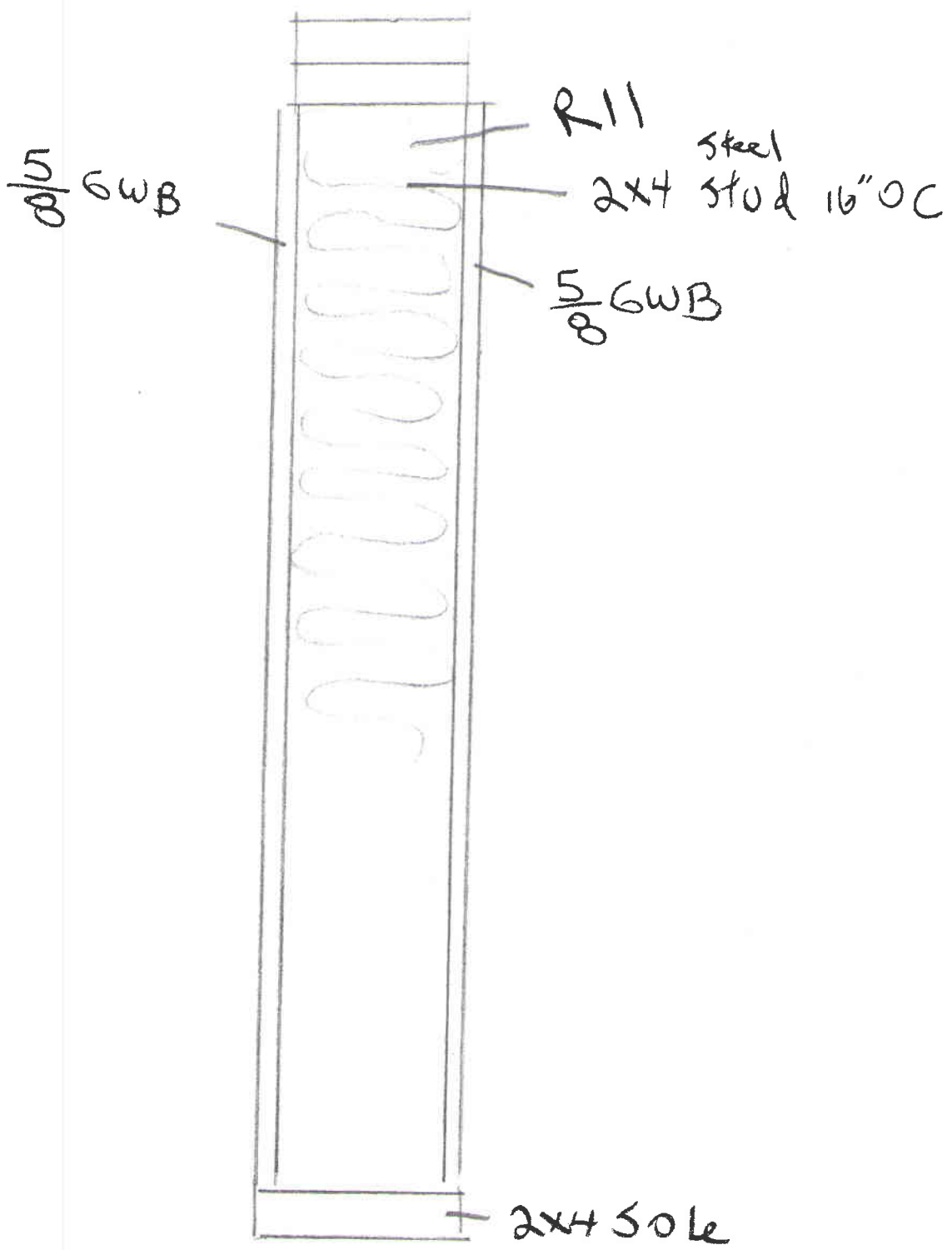


# Typical Interior Wall - Bathroom Type 2

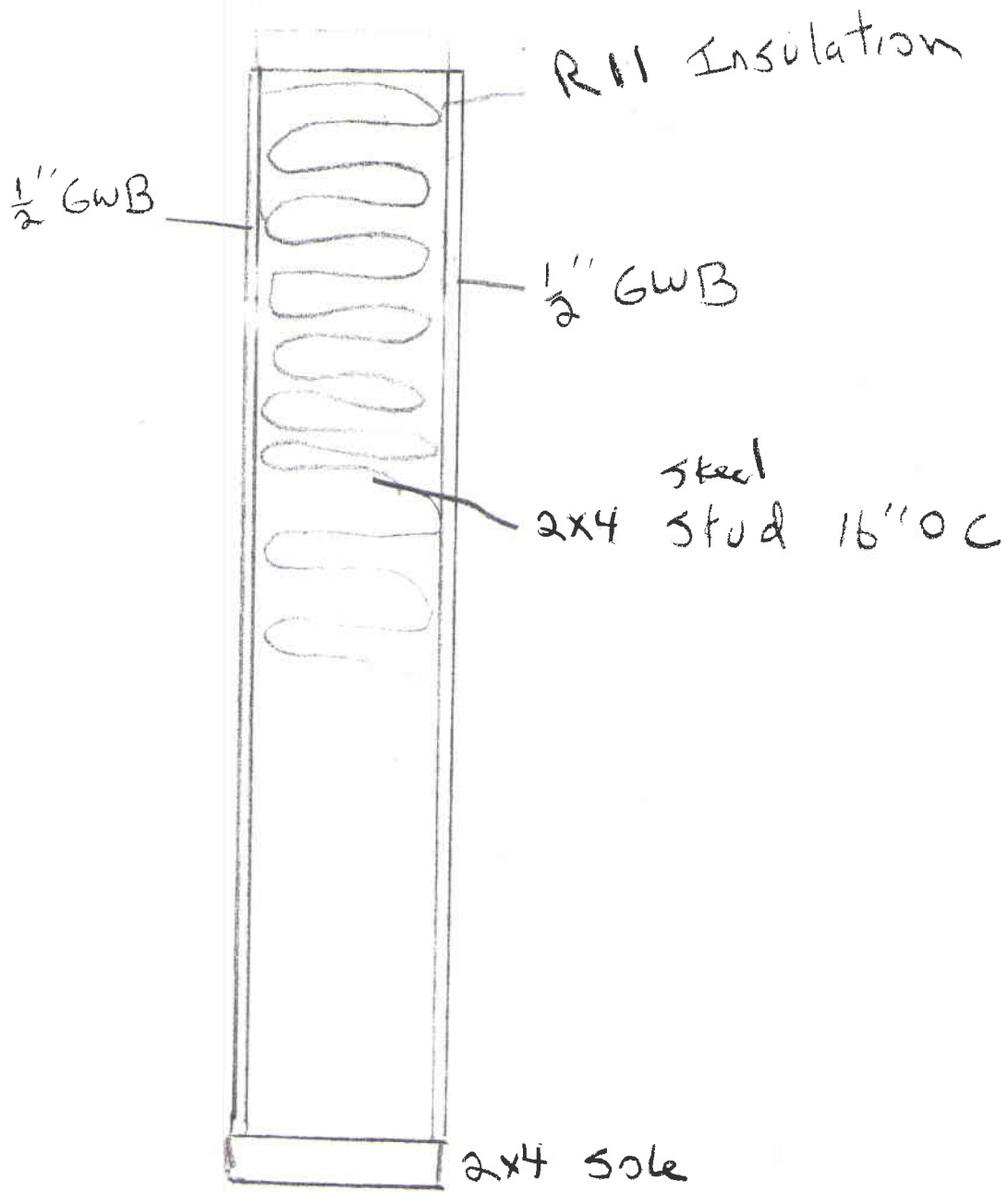


# Typical Wall at elevator Shaft

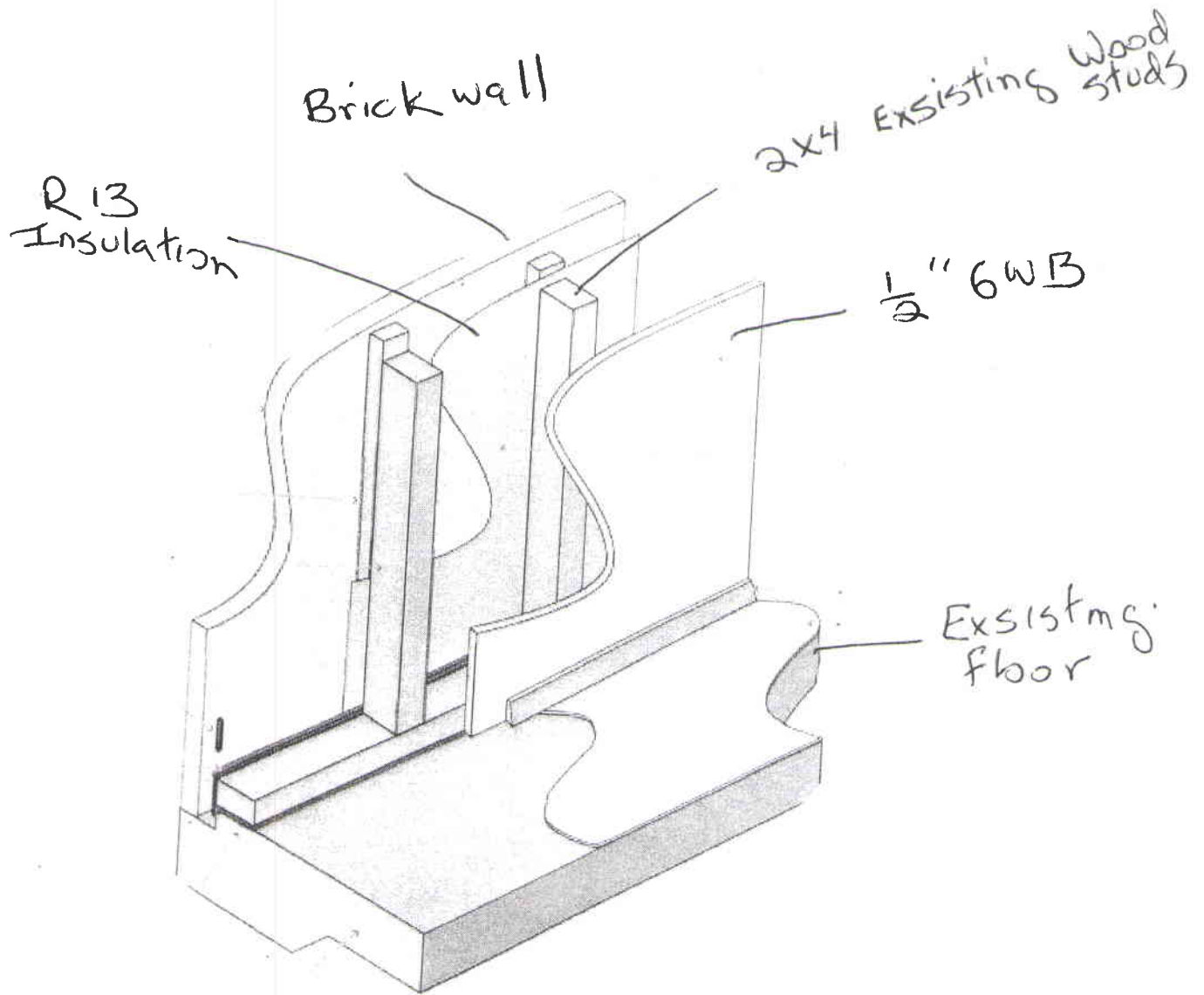
All doors in and out of shaft to be 60 min UL Listed Fire doors  
Wall Type 3



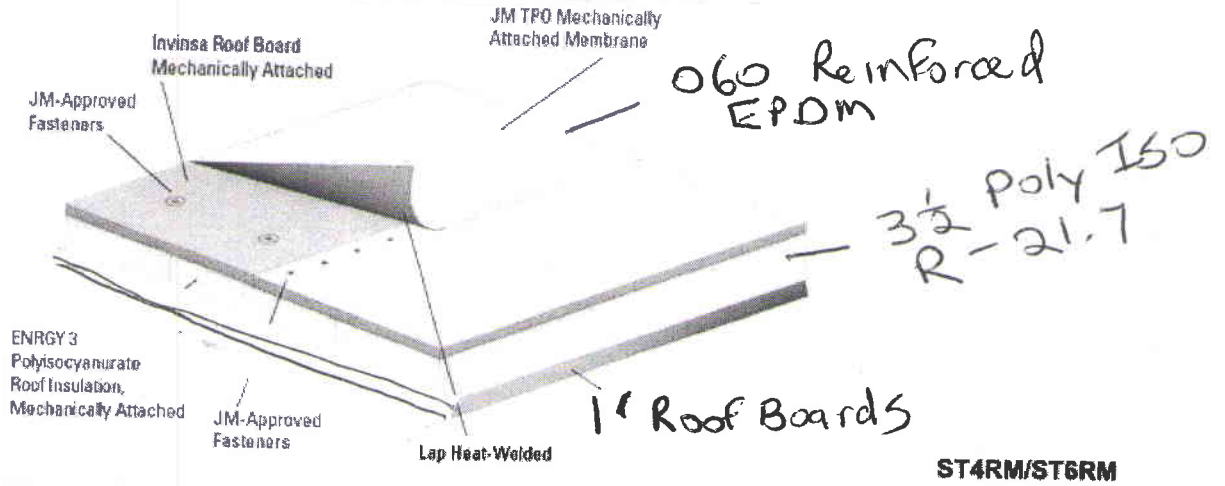
# Typical Interior Wall - Kitchen Type 4



# Interior Wall Section Wall Type 5



# Roof System - 695 Forest Ave Page 1 of 1



Above roof on 2x12 Rafters 16" OC.