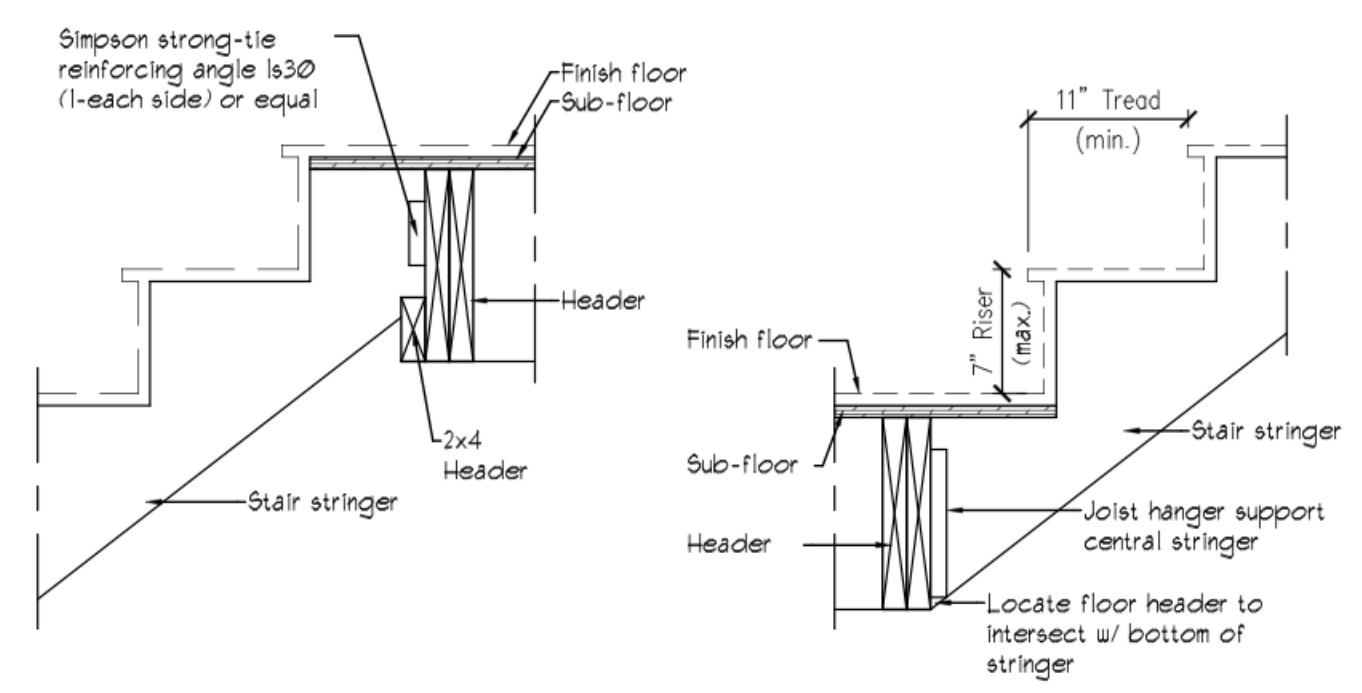
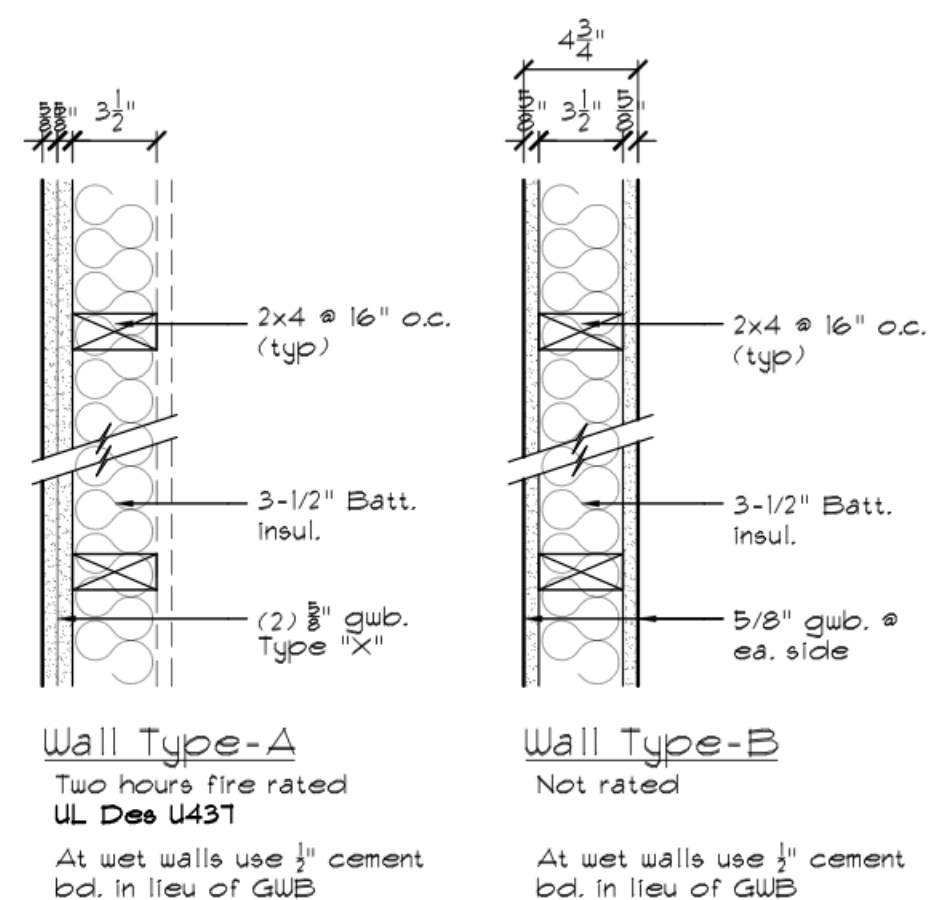


1 Construction Plan
A-1 SCALE: 1/4" = 1'-0"

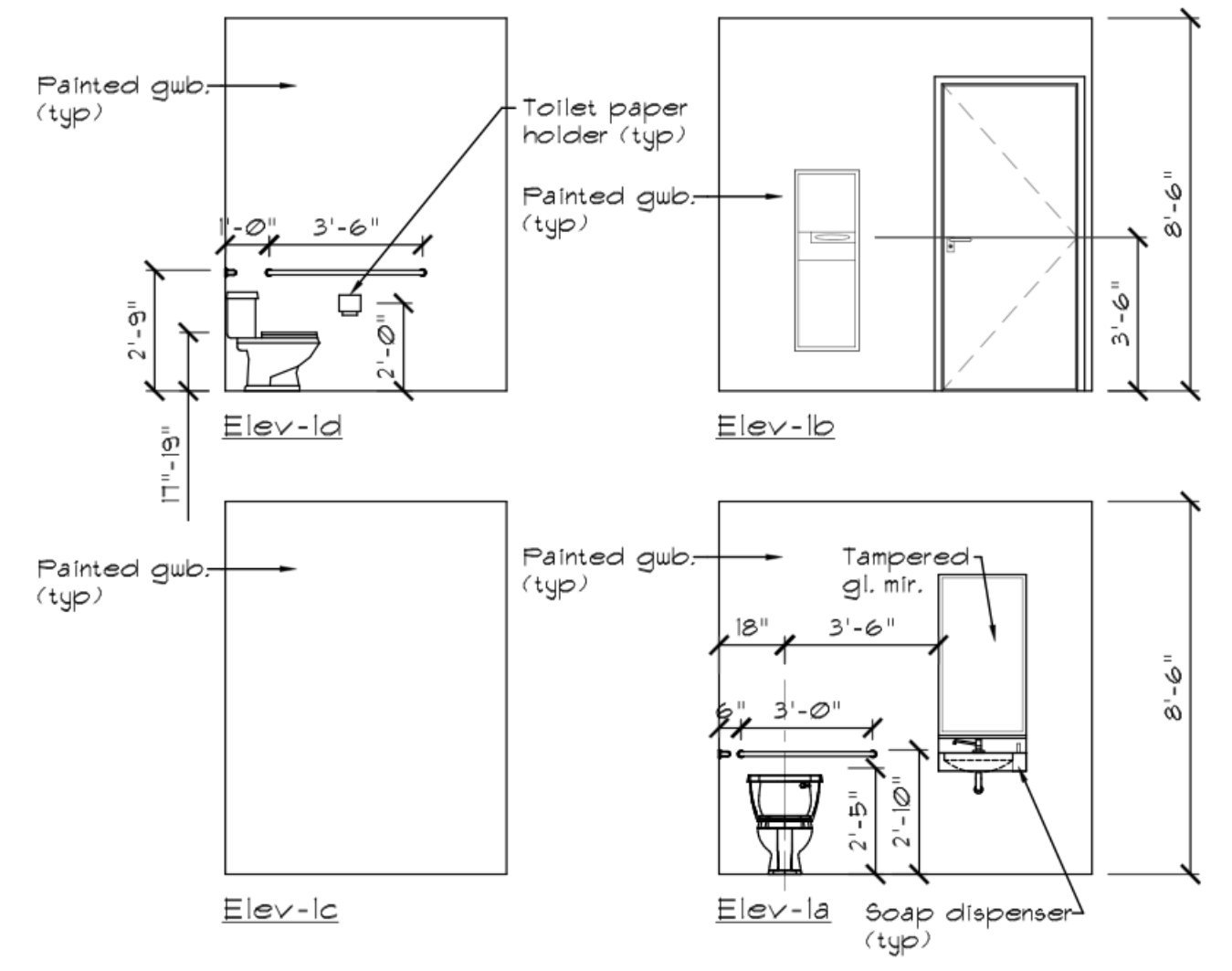
LEGEND/ NOTES:
 Existing walls/partitions
 New wd. walls/partitions



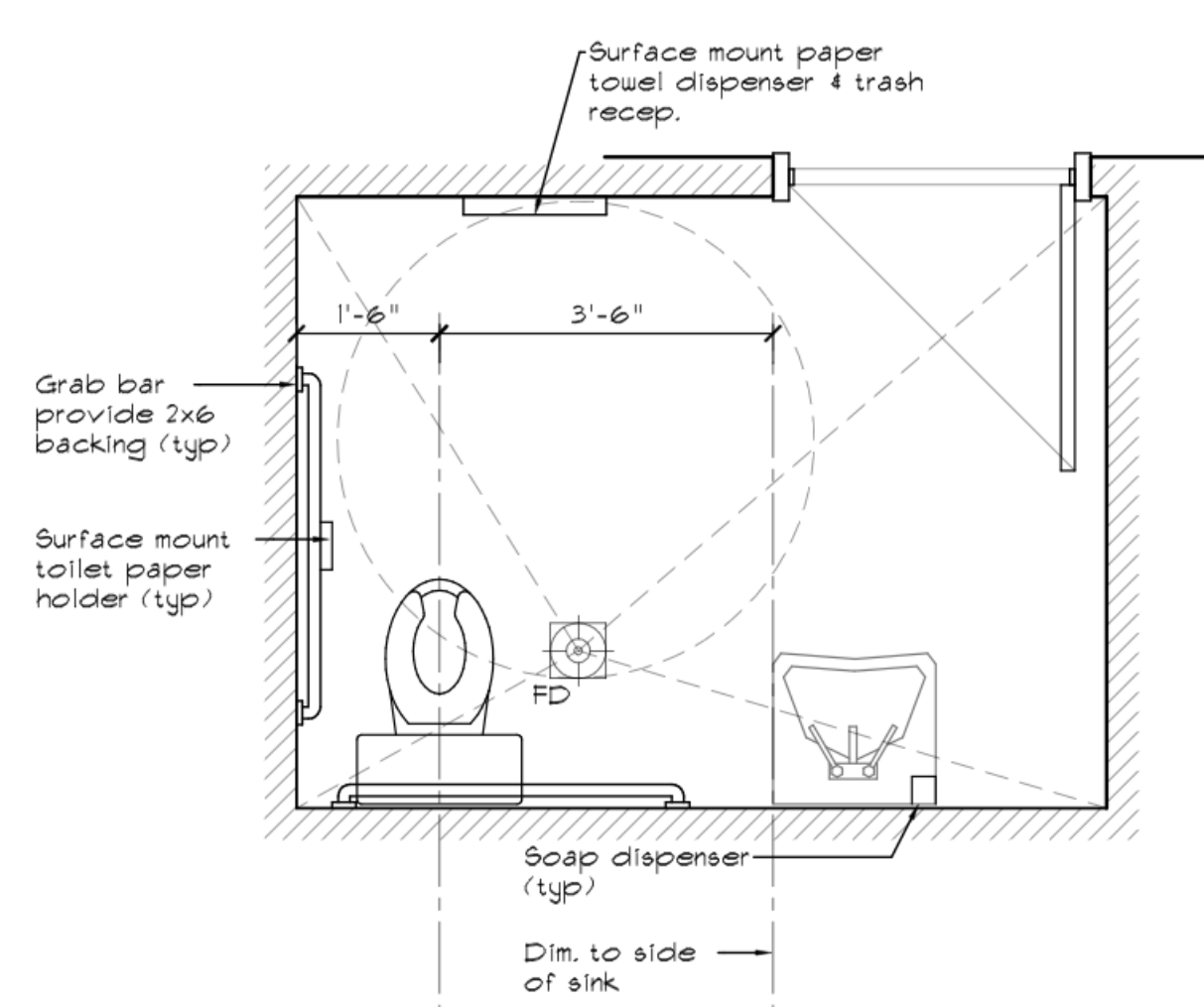
5 Stair Section Detail
A-1 SCALE: 1" = 1'-0"



4 Wall Types
A-1 SCALE: 1-1/2" = 1'-0"



3 Interior Elevations
A-1 SCALE: 1/4" = 1'-0"



2 Enlarged Toilet Plan
A-1 SCALE: 1/2" = 1'-0"

Proposed Floor Plan, Details, and Notes

Revisions	Date
Revision-1	
Revision-2	
Scale	AS NOTED
Drawn / Check by	JL/BAN
Date	11/18/15
Job No.	XX