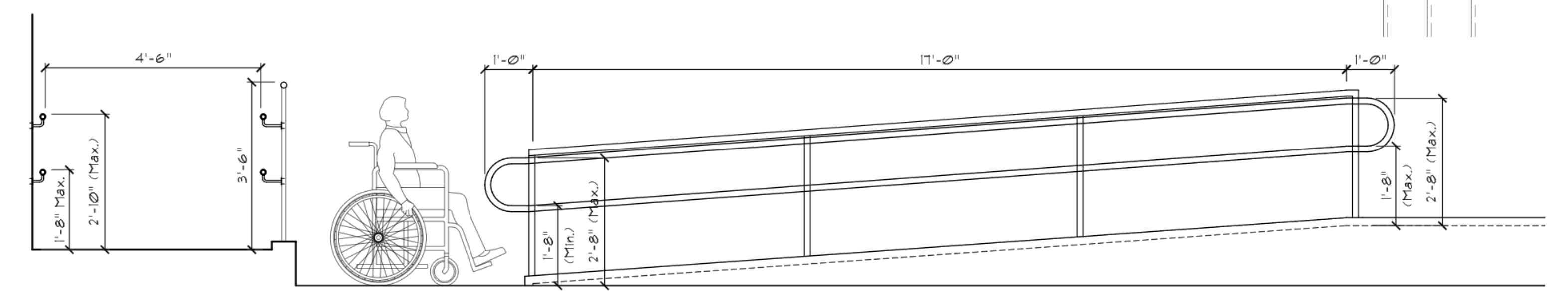
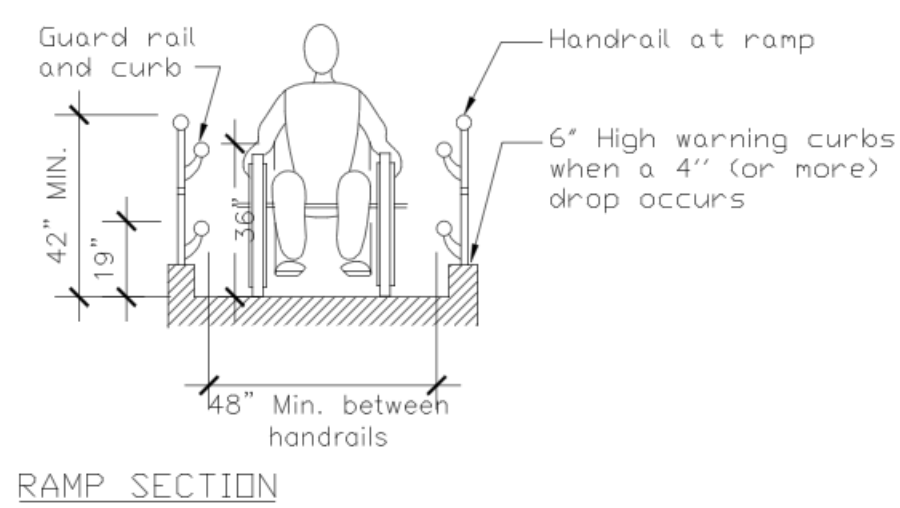
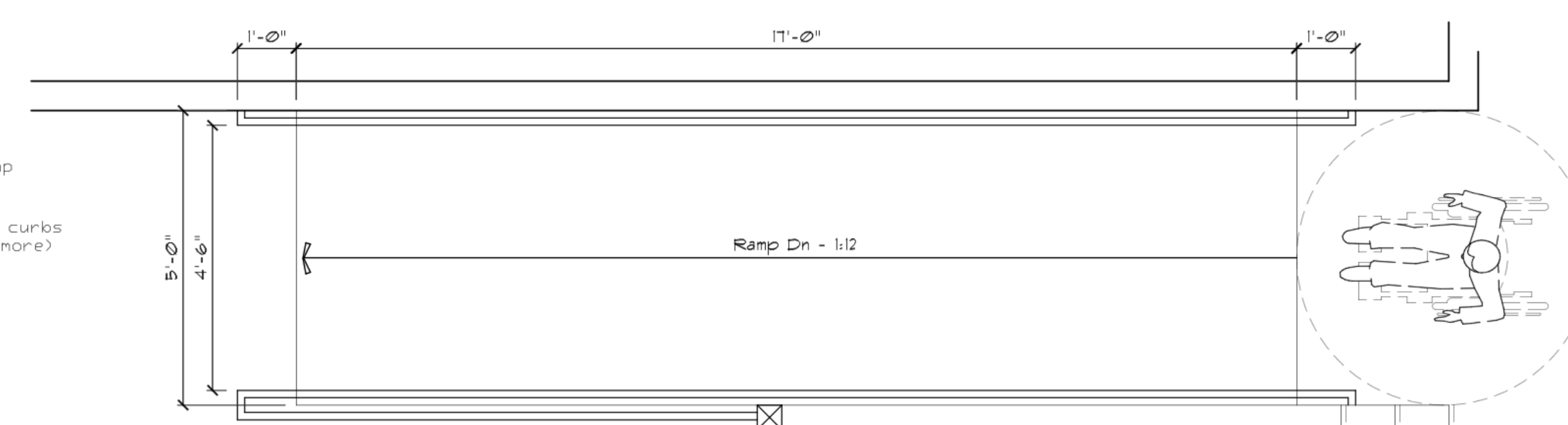
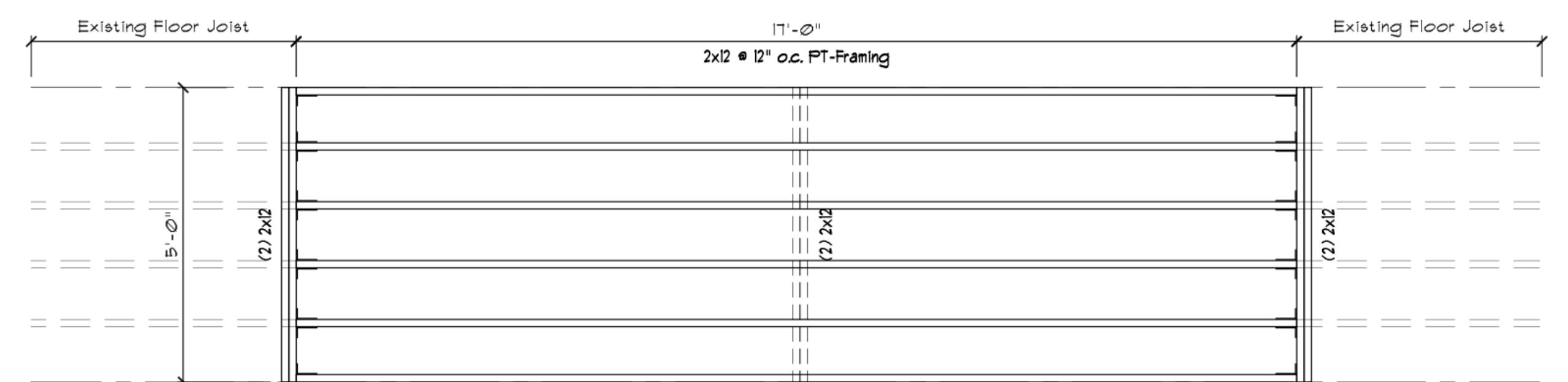


2 Building Cross Section
A-3 SCALE: 1/4" = 1'-0"



1 Enlarged Framing Plan, Plan, Elevation (Typical)
A-3 SCALE: 1/2" = 1'-0"

Revisions	Date
Revision-1	.
Revision-2	

Scale	AS NOTED
Drawn / Check by	JL/ BAN
Date	11/18/15
Job No.	XX