

CIMARRON LED CL1S

Cat.#

Job

Type



Approvals

SPECIFICATIONS

Construction:

- Stylish vertically finned die-cast solid top housing for maximum heat dissipation; Stops collection of unsightly debris
- Rugged lower die-cast aluminum heat sink optimizes thermal management and optical performance
- One piece die-cut silicone gasket with mechanically compressed stainless steel bezel ensures weather proof seal around each individual LED for IP65 rating
- Backlight Control (BC) option available for 85% spill light reduction, doesn't change fixture appearance or EPA, recommended for Type III and Type IV distributions
- Complements the Cimarron LED CL1 i
- Weight - 19 pounds, EPA - .45 ft²

Optics:

- Choice of 126 high brightness LED configurations with individual acrylic lenses specially designed for IES Type II, III, IV and V distributions
- 3000K, 80 CRI; 4000K, 70 CRI; 5000K, 67 CRI, Turtle friendly Amber

Electrical:

- Universal input voltage 120-277 VAC, 50/60 Hz
- Ambient operating temperature -40° C to 40° C
- Drivers have greater than 90% power factor and less than 10% THD
- 700mA drive current standard, 350mA and 525mA options available with 32L and 48L LED models
- LED drivers have output power over-voltage, over-current protection and short circuit protection with auto recovery
- Surge protection – 20KA; Turns fixture off at end of life; Includes LED for end of life indication (see surge suppressor page 3)
- Optional 0-10VDC continuous dimming to 10%
- Automatic thermal self-protection
- LED electrical assembly, including PR devices, consumes no power in the 'off' state

Controls:

- Drivers are 0-10V dimming standard. Photocell and occupancy sensors available for complete on/off and dimming control

Installation:

- Quick-mount plate included for easy installation
- The decorative integral arm houses two stage hinge mechanism
- Safety latch holds luminaire door to prevent "free swing"
- Quick-connect wiring for simplified, hassle-free installation
- Suitable for applications requiring 3G testing prescribed by ANSI @136.31

Finish:

- TGIC thermoset polyester powder paint finish applied at nominal 2.5 mil thickness

Warranty:

Five year limited warranty, for more information visit: <http://www.hubbelloutdoor.com/resources/warranty/>

Listings:

- Listed to UL1598 and CSA C22.2#250.0-24 for wet locations
- 700mA models meet DesignLights Consortium (DLC) qualifications, consult DLC website for more details: <http://www.designlights.org/QPL>
- IDA approved
- IP66
- IES Progress Award Winner - 2013

PRODUCT IMAGE(S)



48 LED 3/4 VIEW



16 LED

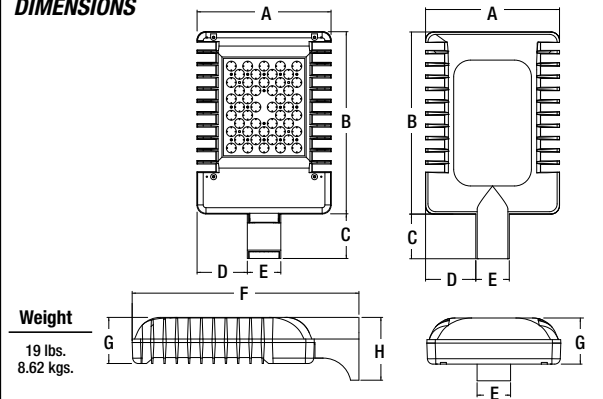


32 LED



48 LED

DIMENSIONS



Weight
19 lbs.
8.62 kgs.

A	B	C	D	E	F	G	H
12"	16.312"	4"	4.5"	3"	20.312"	4.13"	5.625"
305mm	414mm	102mm	114mm	76mm	515mm	105mm	143mm

CERTIFICATIONS/LISTINGS



Spaulding Lighting • 701 Millennium Boulevard • Greenville, SC 29607 • Phone: 864-678-1000
Due to our continued efforts to improve our products, product specifications are subject to change without notice.
© 2016 SPAULDING LIGHTING, All Rights Reserved • For more information visit our website: www.spauldinglighting.com • Printed in USA CL1S-SPEC 6/16



ORDERING INFORMATION ORDERING EXAMPLE: CL1S-A-48LU-5K-3-DB-RPA3

CL1S - A - [] - [] - [] - [] - [] - []

SERIES	NO. OF LEDS	VOLTAGE	CCT	DRIVE CURRENT	OPTIONS
CL1S Cimarron LED Pedestrian Scale	16L 16 High brightness LEDs 32L 32 High brightness LEDs 48L 48 High brightness LEDs	U¹ Universal 120V-277V, 50/60 Hz 1 120V 2 208V 3 240V 4 277V 5 480V, 60 Hz F 347V, 60 Hz E³ 220V, 50 Hz	3K 3000K, 80 CRI 4K 4000K, 70 CRI 5K 5000K, 67 CRI	Leave blank for 700mA (standard) 035⁵ 350mA (32L, 48L) 053 525mA (32L) 520mA (48L)	BC³ Backlight control CD Continuous dimming F(X)² Fusing (replace X with voltage: 1-120V, 2-208V, 3-240V, 4-277V, 5-480V, F-347V) RPA3 3" Round pole adapter RPA4 4" Round pole adapter TB Terminal block WB Wall bracket 7PR Photocell receptacle
MOUNTING					
A 4" straight arm attached to housing complete with quick-mount plate					
		DISTRIBUTION		COLOR	
		2 Type II 3 Type III 4 Type IV 5M Type V Medium 5S Type V Short 5W Type V Wide 2L Type II rotated left 3L Type III rotated left 4L Type IV rotated left 2R Type II rotated right 3R Type III rotated right 4R Type IV rotated right		DB Dark Bronze BL Black WH White GR Gray PS Platinum Silver RD Red (premium color) FG Forest Green (premium color) CC Custom Color	

- Notes: 1 - Fuse option not available with universal voltage
 2 - Select F3 fusing option for 220V
 3 - Recommended for Type III and IV distributions only
 4 - 0-10V fully adjustable dimming with automatic daylight calibration and different time delay settings, must order minimum of one SCP-REMOTE control to program dimming settings (see accessories)
 5 - Not available with WIR or WIRSC
 6 - Not available with SCO, SCL, SCP or SCPW

PIR MOTION/OCCUPANCY CONTROL OPTIONS

- SCO⁵** On/Off control (line voltage device not for use with 7PR receptacle option and external wireless control devices)
- SCL⁵** Add-on occupancy sensor for use with ext. wireless control device connected thru 7PR receptacle. Consult control manufacturer for compatibility.
- SCP^{4,5}** Programmable dimming control (line voltage device not for use with 7PR receptacle option and external wireless control devices). A minimum of one SCP-REMOTE accessory remote control required for configuration; (Standard lens with greater sensitivity; motion detection radius equal to .75 X luminaire mounting height (approx. distance))
- SCPW^{4,5}** Programmable dimming control wide lens

WIRELESS CONTROL OPTIONS

- WIR⁵** wiSCAPE Fixture Module, in-fixture relay for wireless lighting control
- WIRSC⁵** wiSCAPE Fixture Module, in-fixture relay for wireless lighting control and motion/occupancy control

CONTROLS GUIDE

As energy codes become more restrictive and we push for sustainable lighting designs, the integration of lighting controls and luminaires have become more and more important. Hubbell Lighting offers numerous outdoor lighting controls solutions for the most demanding applications. Visit the link below to learn more about energy-saving controls.

www.hubbellighting.com/solutions/controls/



PERFORMANCE DATA

NUMBER OF LEDS	DRIVE CURRENT (MILLIAMPS)	SYSTEM WATTS	DISTRIBUTION TYPE	5K (5000K NOMINAL, 67 CRI)					4K (4000K NOMINAL, 70 CRI)					3K (3000K NOMINAL, 80 CRI)				
				LUMENS	LPW*	B	U	G	LUMENS	LPW*	B	U	G	LUMENS	LPW*	B	U	G
16	700mA	38w	2	3053	80	1	1	1	3077	81	1	2	2	2438	64	1	2	2
			3	3075	81	1	1	1	3099	82	1	1	1	2456	65	1	1	1
			4	3113	82	1	1	1	3136	83	1	1	1	2486	65	1	1	1
			5S	3457	91	2	0	0	3484	92	2	0	0	2761	73	2	0	0
			5M	3731	98	2	0	0	3454	91	2	0	1	2737	72	2	0	0
			5W	3166	83	3	1	1	3160	83	2	1	1	2725	72	2	1	1
32	700mA	76w	2	6527	86	2	1	2	6042	80	2	1	2	4788	63	1	1	2
			3	6574	87	2	1	2	6085	80	2	1	2	4823	63	1	1	2
			4	6654	88	1	1	2	6159	81	1	1	2	4881	64	1	1	2
			5S	7391	97	3	0	0	6841	90	3	0	0	5422	71	2	0	0
			5M	7327	96	3	0	1	6782	89	3	0	1	5375	71	3	0	1
			5W	6704	88	3	1	2	6206	82	3	1	2	4918	65	3	0	1
	525mA	56w	2	4930	88	2	1	2	4564	81	1	1	2	3617	65	1	1	2
			3	4966	89	1	1	2	4596	82	1	1	1	3643	65	1	1	1
			4	5026	90	1	1	2	4652	83	1	1	2	3687	66	1	1	1
			5S	5583	100	2	0	0	5168	92	2	0	0	4096	73	2	0	0
			5M	5535	99	2	0	1	5123	91	2	0	1	4060	73	2	0	1
			5W	5064	90	3	1	1	4688	84	3	1	1	3715	66	2	1	1
	350mA	38w	2	3488	92	1	1	2	3229	85	1	1	1	2559	67	1	1	1
			3	3513	92	1	1	1	3252	86	1	1	1	2578	68	1	1	1
			4	3556	94	1	1	1	3292	87	1	1	1	2609	69	0	1	1
			5S	3950	104	2	0	0	3656	96	2	0	0	2898	76	1	0	0
			5M	3916	103	2	0	0	3625	95	2	0	0	2873	76	2	0	0
			5W	3583	94	3	1	1	3317	87	2	1	1	2628	69	2	1	1
48	700mA	110w	2	9864	90	2	2	3	9131	83	2	2	3	7236	66	2	1	2
			3	9935	90	2	1	2	9593	87	2	1	2	7288	66	2	1	2
			4	10056	91	2	1	2	9309	85	1	1	2	7377	67	1	1	2
			5S	11169	102	3	0	0	10339	94	3	0	0	8193	74	3	0	0
			5M	11073	101	4	1	2	10250	93	4	1	2	8123	74	3	1	2
			5W	10132	92	3	1	2	9379	85	3	1	2	9662	88	3	1	2
	525mA	82w	2	7230	88	2	1	2	6692	82	2	1	2	5303	65	1	1	2
			3	7282	89	2	1	2	7031	86	2	1	2	5342	65	1	1	2
			4	7370	90	1	1	2	6823	83	1	1	2	5407	66	1	1	2
			5S	8186	100	3	0	0	7578	92	3	0	0	6005	73	3	0	0
			5M	8116	99	3	1	2	7512	92	3	1	2	5954	73	3	1	1
			5W	7426	91	3	1	1	6874	84	3	1	1	7081	86	2	1	1
	350mA	55w	2	5211	95	2	1	2	4823	88	1	1	2	3822	69	1	1	1
			3	5248	95	1	1	2	5067	92	1	1	1	3850	70	1	1	1
			4	5312	97	1	1	2	4917	89	1	1	2	3897	71	1	1	1
			5S	5900	107	2	0	0	5462	99	2	0	0	4328	79	2	0	0
			5M	5849	106	3	1	1	5415	98	3	1	1	4291	78	2	1	1
			5W	5352	97	3	1	1	4954	90	2	1	1	5104	93	2	1	0

Lumen values are from photometric tests performed in accordance with IESNA LM-79-08. Data is considered to be representative of the configurations shown. Actual performance may differ as a result of end-user environment, application and inherent performance tolerances of the electrical components.

PROJECTED LUMEN MAINTENANCE

AMBIENT TEMP.	0	25,000	50,000	*TM-21-11 60,000	100,000	CALCULATED L70 (hours)
25°C / 77°F	1.00	0.98	0.96	0.96	0.94	>675,000
40°C / 104°F	0.98	0.96	0.95	0.94	0.92	>556,000

* Nichia 219B, 700mA, 85°C Ts, 10,000hrs

LUMINAIRE AMBIENT TEMPERATURE FACTOR (LATF)

AMBIENT DATA		
TEMP		LUMEN MULT.
0°C	32°F	1.02
10°C	50°F	1.01
20°C	68°F	1.00
25°C	77°F	1.00
30°C	86°F	1.00
40°C	104°F	0.98
50°C	122°F	0.98



Spaulding Lighting • 701 Millennium Boulevard • Greenville, SC 29607 • Phone: 864-678-1000
Due to our continued efforts to improve our products, product specifications are subject to change without notice.



© 2016 SPAULDING LIGHTING, All Rights Reserved • For more information visit our website: www.spauldinglighting.com • Printed in USA CL1S-SPEC 6/16

ELECTRICAL DATA

NUMBER OF LED's	NUMBER OF DRIVERS	Drive Current [milliamps]	INPUT VOLTAGE (VOLTS)	OPER. CURRENT [AMPS]	SYSTEM POWER [WATTS]	IN-RUSH CURRENT (AMPS)
16	1	std. (700mA)	120	0.32	37.8	
			277	0.15	37.5	
			347			
			480			
32	2		120	0.63	75.5	
			277	0.29	74.8	
			347			
			480			
48	3		120	0.95	110.5	
			277	0.44	110.9	
			347			
			480			

Consult factory for 350mA and 520mA electrical data

ACCESSORIES/REPLACEMENT PARTS - Order Separately

CATALOG NUMBER	DESCRIPTION
SCP-REMOTE ⁹	Remote control for SCP option. Order at least one per project to program and control
93052458	20KA surge protection with an end of life LED indicator

PHOTOCONTROL EQUIPMENT

CATALOG NUMBER	DESCRIPTION
PTL-1	Photocontrol - twist-lock cell (120V)
PTL-8	Photocontrol - twist-lock cell (120-277V)
PTL-5	Photocontrol - twist-lock cell (480V)
PTL-6	Photocontrol - twist-lock cell (347V)
PSC	Shorting cap - twist-lock

MOUNTING ACCESSORIES

CATALOG NUMBER	DESCRIPTION
CL1S-RPA3-ACC-XX ¹	Round pole adapter for straight arm (3¼ - 3¾")
CL1S-RPA4-ACC-XX ¹	Round pole adapter for straight arm (3⅞ - 4½")
WB-CR-XX	Wall bracket

¹ Replace XX with color choice, eg.: DB for Dark Bronze

TENON TOP POLE BRACKET ACCESSORIES

(2 3/8" OD tenon, RSS version requires 4" round pole adapter)

Catalog Number	Description
SETA-XX ¹	Square pole tenon adapter (4 at 90 degrees)
RETA-XX ¹	Round pole tenon adapter (4 at 90 degrees)
TETA-XX ¹	Triangular pole tenon adapter (3 at 120 degrees)

¹ Replace XX with color choice, eg.: DB for Dark Bronze

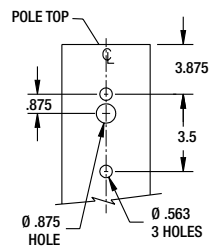
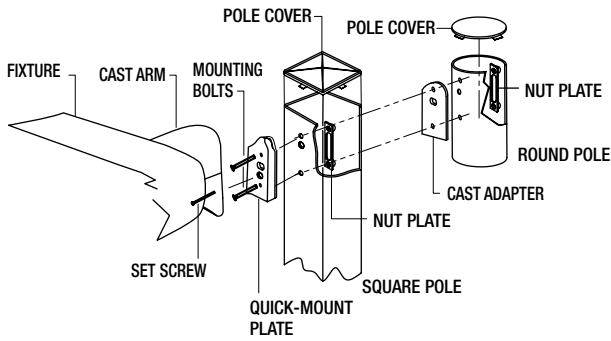
SURGE PROTECTION

- Field replaceable surge protection device (SPD) provides 20KA and 10KV protection meeting ANSI/IEEE C62.41.2 Category C High and Surge Location Category C3
- The SPD is designed with a clamping voltage of 1600V at 20KA using industry standard 8/20µs waveform
- Max surge current = 20,000 Amps (see table)
- LED Indicator – Green LED is unlit at end of life

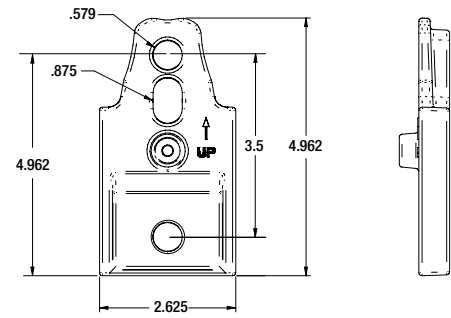
Pulse Rating (8 x 20 µSec)		cRUus	CE
Strikes	Surge	I _n	
1	20,000 A	10KA	5KA
2	15,000 A		
15	10,000 A		
120	3,000 A		



FIXTURE MOUNTING



#2 DRILL PATTERN FOR POLES

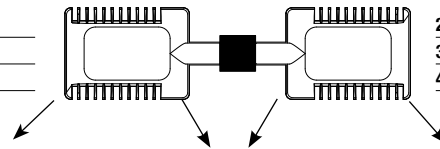


QUICK-MOUNT PLATE

FIXTURE MOUNTING – FACTORY ROTATED OPTICS

For proper light distribution and performance, rotated optics must be mounted as referenced in illustration. Consult instruction sheet included when mounting.

- 2L Type II rotated 90° left
- 3L Type III rotated 90° left
- 4L Type IV rotated 90° left

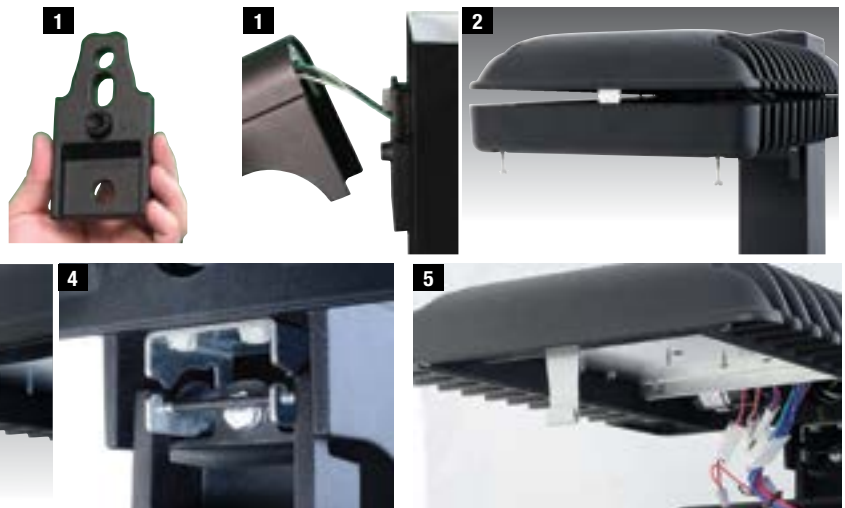


- 2R Type II rotated 90° right
- 3R Type III rotated 90° right
- 4R Type IV rotated 90° right

QUICK MOUNT INSTALLATION

The Cimarron CL1S installation features:

- 1 Quick-mount plate attaches to pole with two 3/4" bolts
- 2 4 - slot hex 1/4" captured screws secure luminaire door to top
- 3 Safety-latch holds luminaire door to prevent "free swing" door
- 4 Two stage hinge mechanism built into integral arm
- 5 Quick-connect wiring for a simplified, hassle-free installation



For installation video scan this code or visit link below:



<http://www.youtube.com/user/hubbelloutdoorbrands>