



## Siding Examples



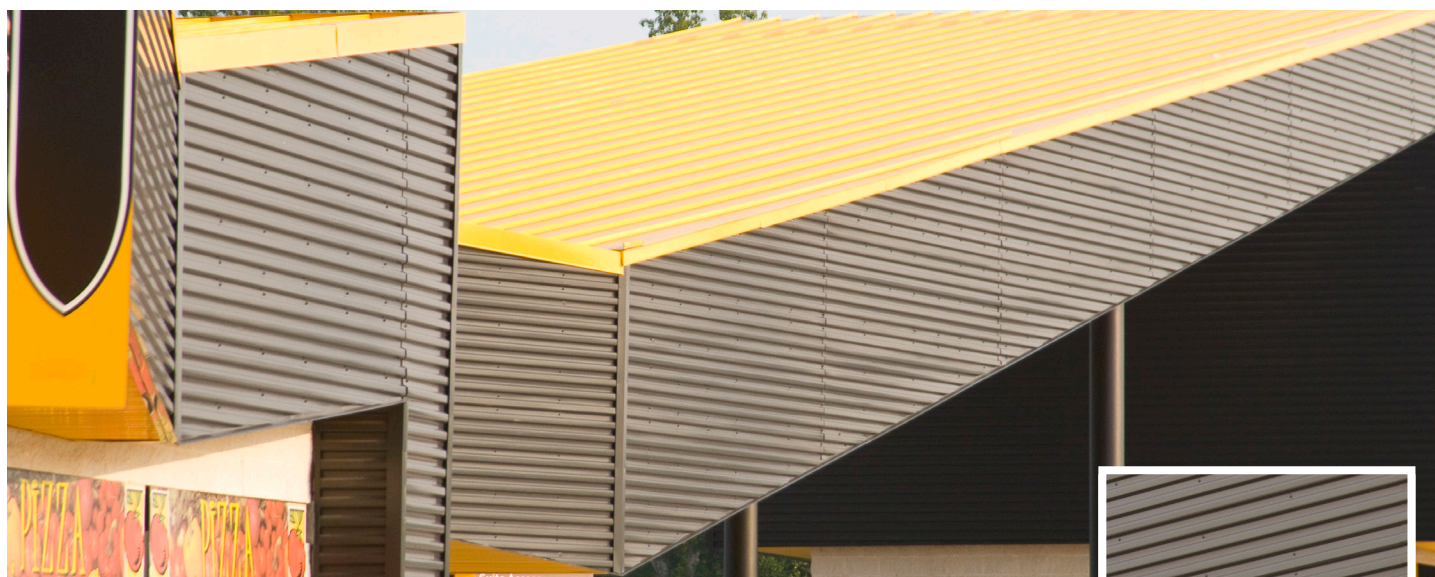


## Siding Examples



## FABRAL® 4" RIB

## BRIEF PRODUCT SPECIFICATION



Kennesaw State University Soccer Stadium, Kennesaw, GA, USA

Completed in record time, over 200 squares of 4" Rib panels were used in a custom black to match the university's school color in a design to reflect the surrounding mountains.

**FABRAL**  
CORE

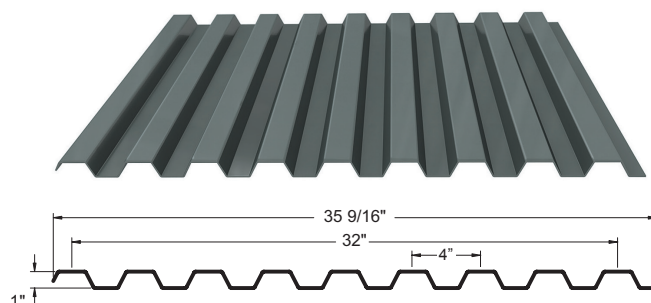
**You challenge us.  
And we like it.**

Your vision for a building and what you want to achieve makes us think harder. It'd be easy to say - That won't work. Instead we go with - Let's see what we can do.

**Fabral.com**  
800.884.4484

## EXPOSED FASTENER ROOFING & SIDING PANEL 4" RIB

Fabral® 4" Rib is a classically designed exposed fastener panel with 4" Rib spacing. With exceptional durability and unlimited color options, 4" Rib is a preferred choice for function and creativity. The unique construction of 4" Rib allows panels to follow every curve of your design. And it's suitable for use on both wall and roof applications (in siding only, can be applied in vertical and horizontal orientation). With 4" Rib your vision is limitless.



(Product details on reverse)

**FABRAL**®