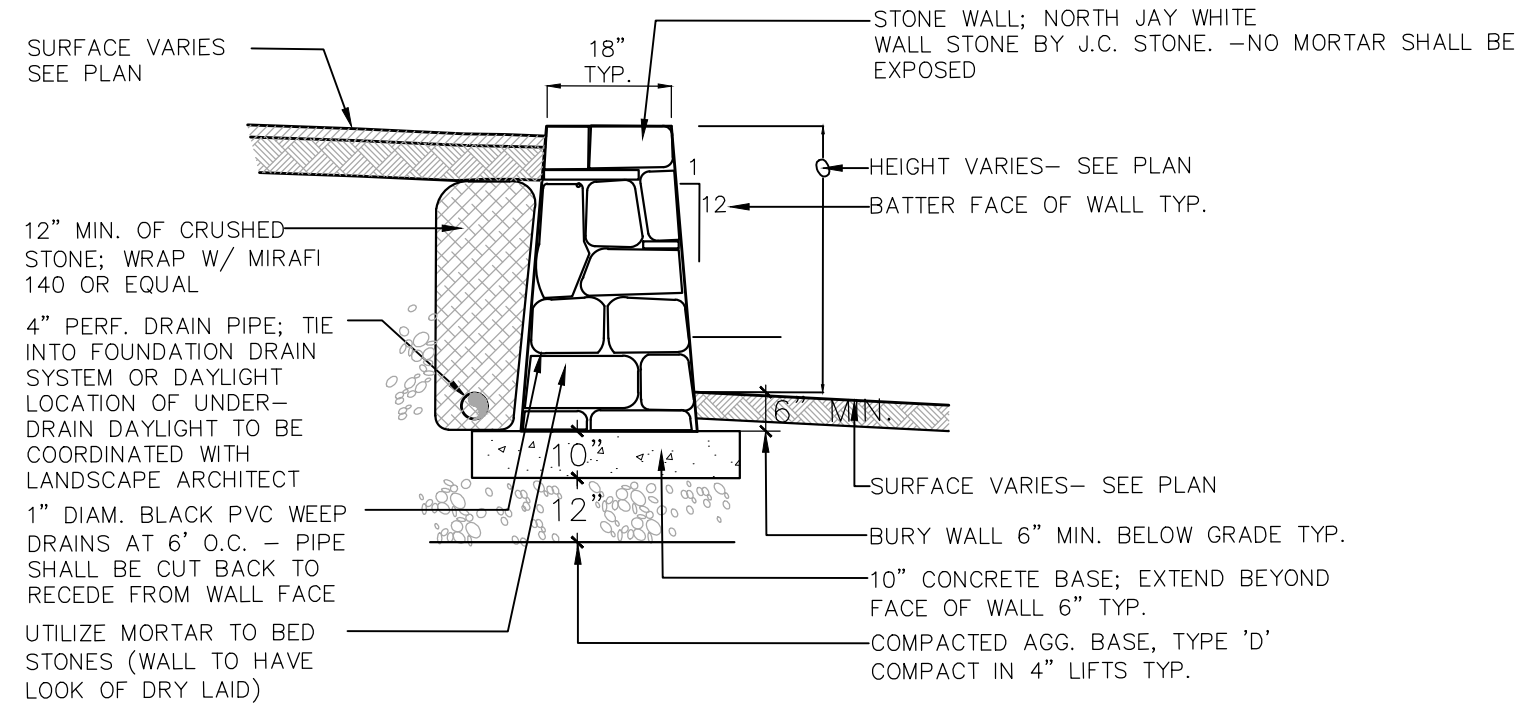
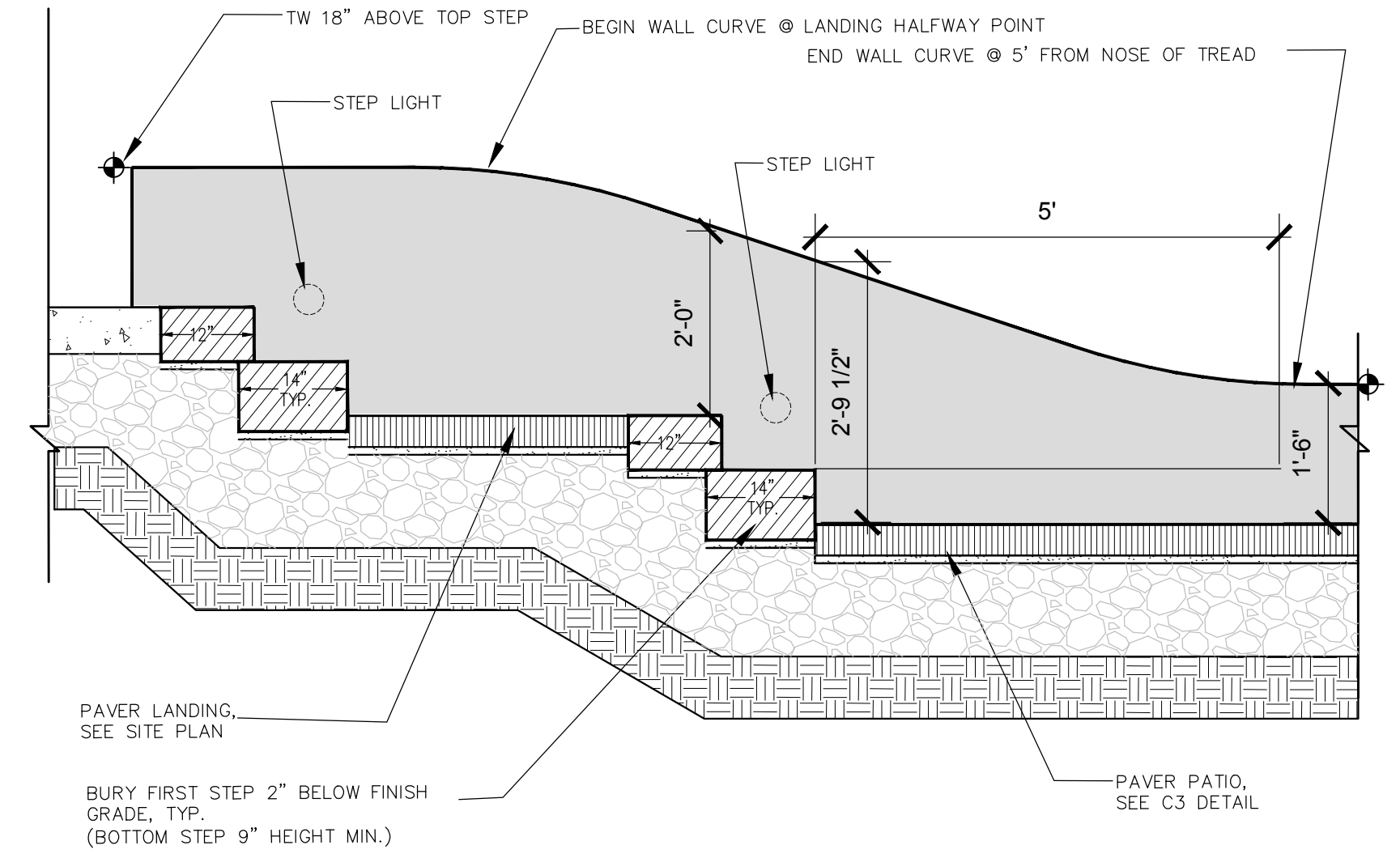


- NOTES:**
- MORTAR SHALL BE USED TO BED ALL JOINTS. MORTAR SHALL BE TINTED TO MATCH THE DARKEST STONE COLOR.
 - CLEAN ALL MORTAR FROM EXTERIOR SURFACES—NO MORTAR SHALL BE VISIBLE ON VERTICAL FACES.
 - TOP JOINTS SHALL BE FLUSH. AVOID REGULAR COURSING. FOLLOW GENERAL RULE OF ONE OVER TWO, TWO OVER ONE.
 - CONTRACTOR SHALL MOCK-UP PANEL OF STONE LAY-UP FOR APPROVAL OF L.A. PRIOR TO CONSTRUCTION.

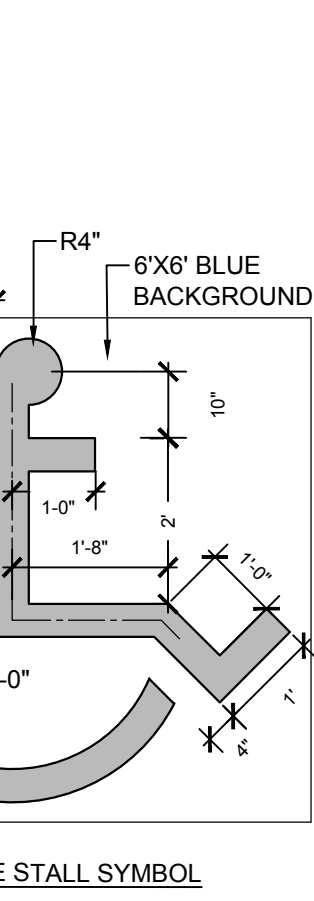


5 STONE WALL ON CONC BASE
NOT TO SCALE

- NOTES:**
- COMPOSITE WET SET (REPLACEABLE) TACTILE WARNING SURFACE UNITS SHALL BE AS MANUFACTURED BY ADA SOLUTIONS, INC. (WWW.ADATILE.COM), OR APPROVED EQUAL.
 - CAST IN PLACE CONCRETE SHALL MEET SPECIFICATIONS FOR MDOT CLASS A STRUCTURAL CONCRETE. MINIMUM COMPRESSIVE STRENGTH 4,000 PSI. THE CONCRETE SHALL BE SEALED PRIOR TO SETTING PANELS. THE EXPOSED CONCRETE BORDER SHALL RECEIVE A GROOVED EDGE BETWEEN THE TILE AND CONCRETE, ALONG WITH A UNIFORM BROOM FINISH PERPENDICULAR TO THE FLOW OF PEDESTRIAN TRAFFIC.
 - TRUNCATED DOMES SHALL BE ALIGNED IN ROWS, PARALLEL AND PERPENDICULAR TO THE PREDOMINANT DIRECTION OF TRAVEL. TRUNCATED DOME BRICKS AND GRANITE PAVERS ARE NOT ALLOWED.
 - FOR ALL SIDEWALK RAMPS MADE OF CONCRETE OR ASPHALT, FEDERAL YELLOW COLORED (#33538) TILES SHALL BE USED. FOLLOW MANUFACTURER'S INSTRUCTIONS FOR INSTALLATION.
 - FOR ALL SIDEWALK RAMPS MADE OF BRICK, SEATTLE YELLOW (#23594) COATED COLORED TILES SHALL BE USED.



7 STONE STEP SECTIONS
NOT TO SCALE

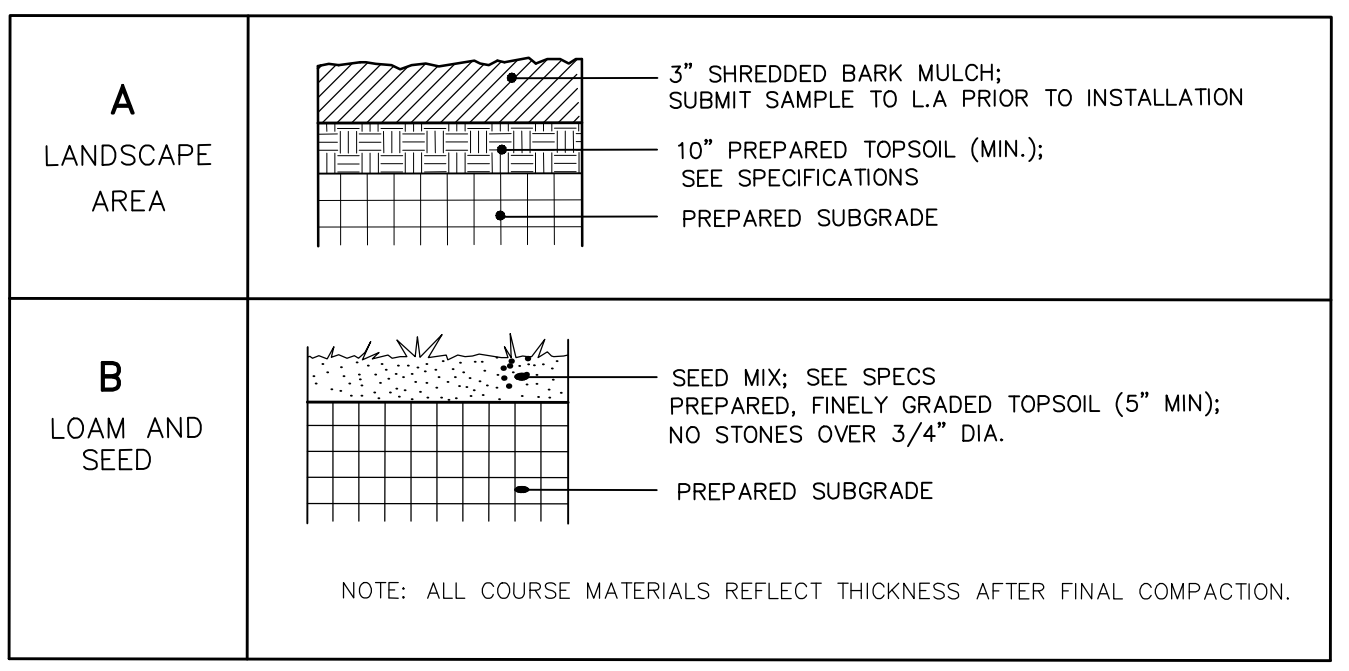


3 SIDEWALK RAMP DETECTABLE WARNING TILE
SCALE: 1/2" = 1'-0"

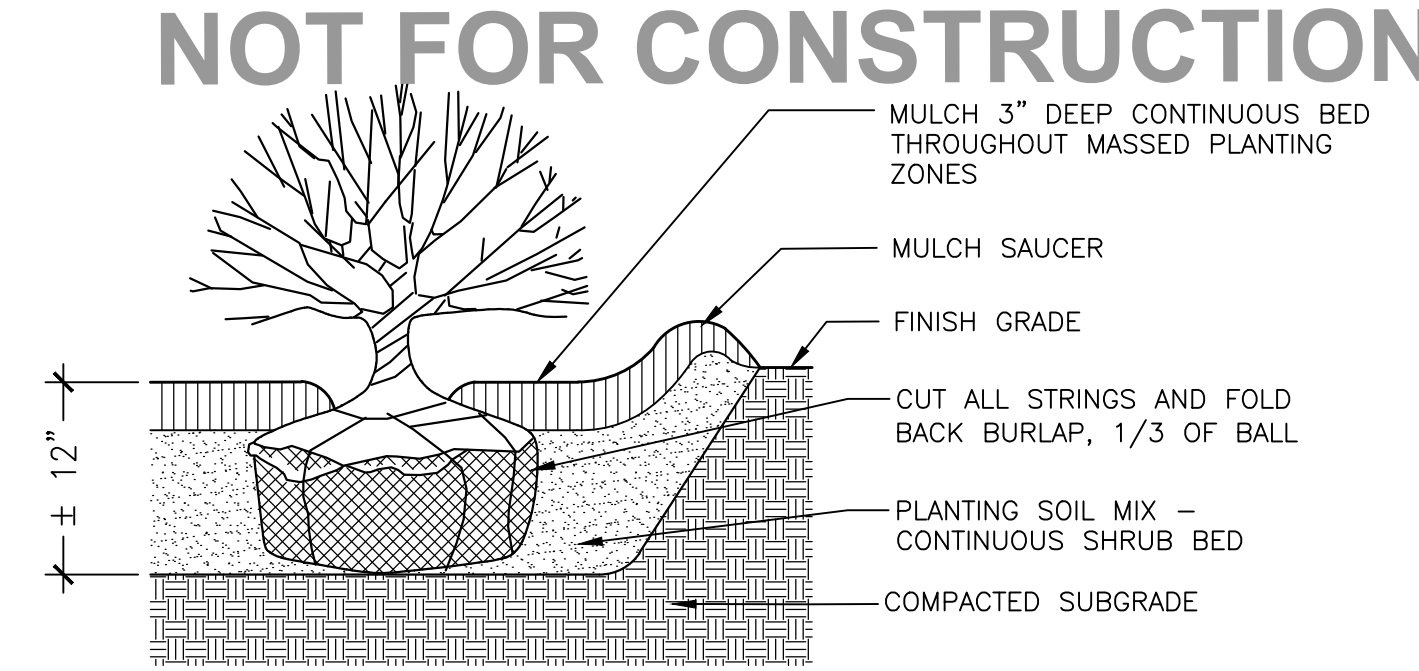
4 PAINT STRIPING
NOT TO SCALE

8 WOOD GUARDRAIL
NOT TO SCALE

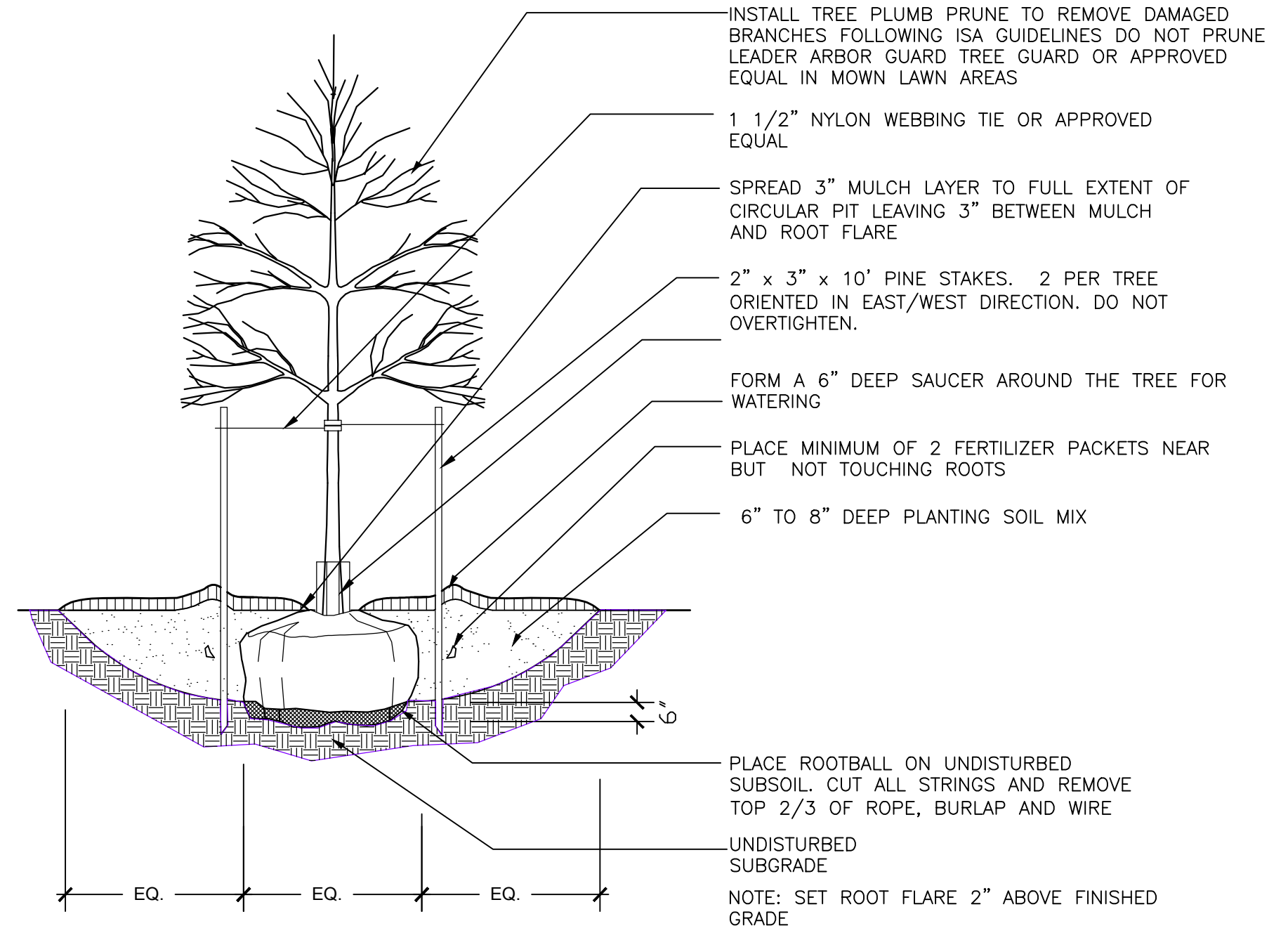
9 BICYCLE RACK
NOT TO SCALE



6 PLANTING SURFACE SCHEDULE
NOT TO SCALE

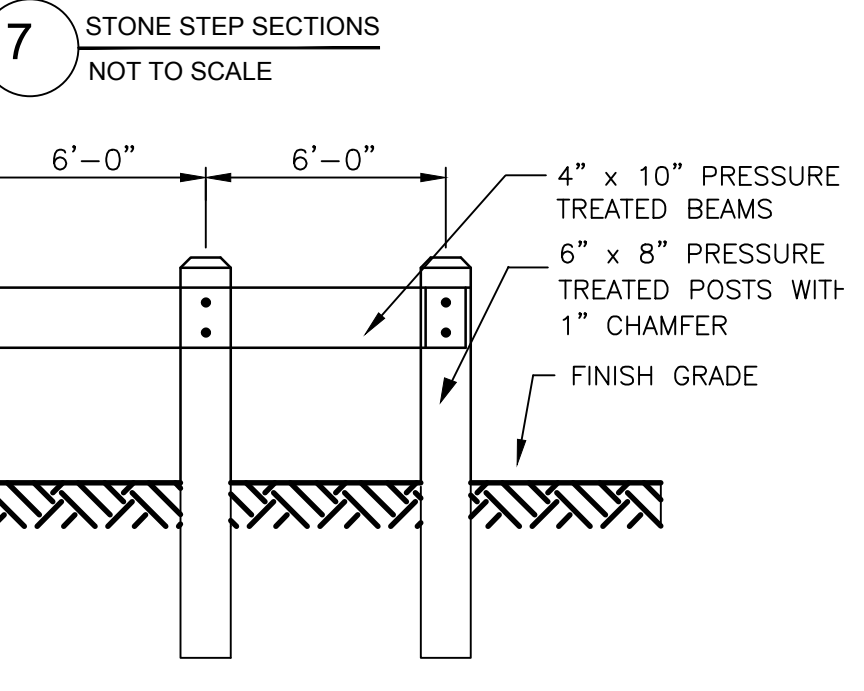


11 TYPICAL SHRUB PLANTING
NOT TO SCALE

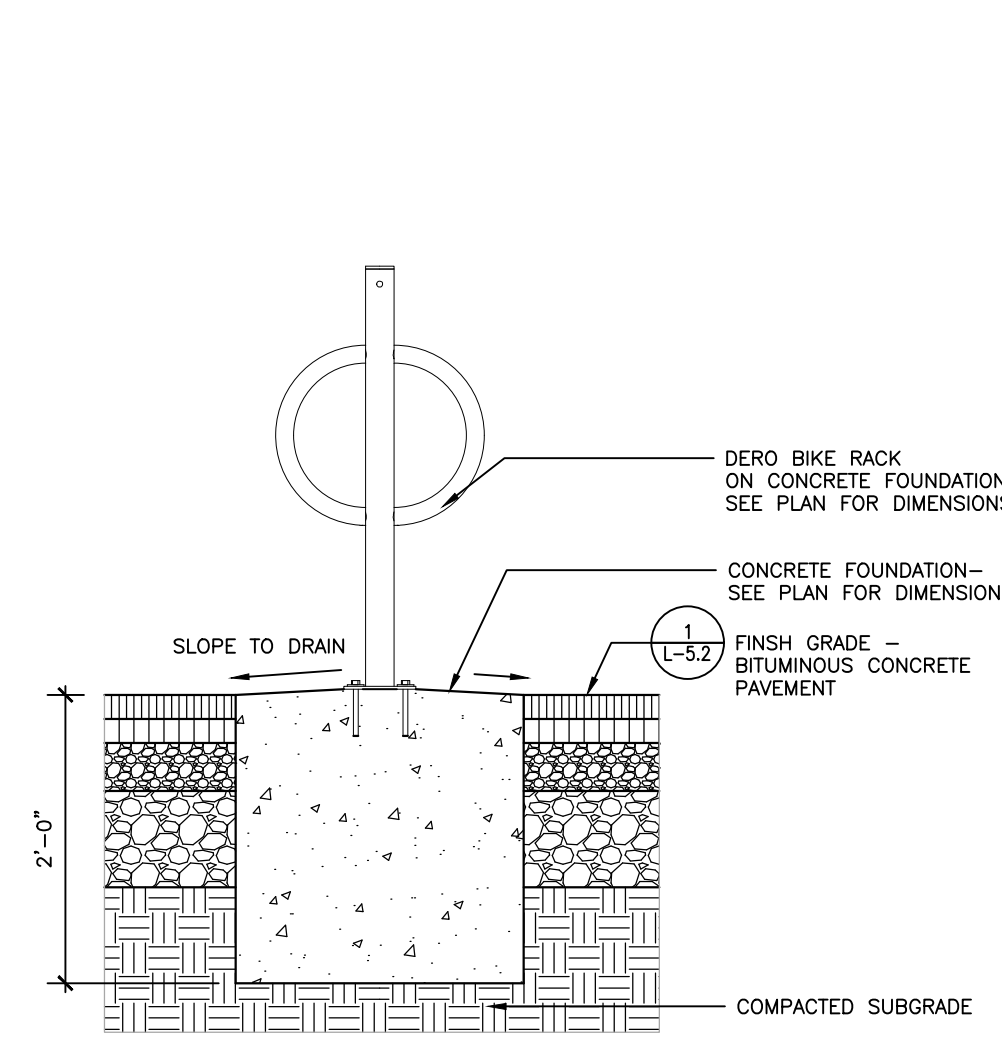


12 TYPICAL TREE PLANTING
NOT TO SCALE

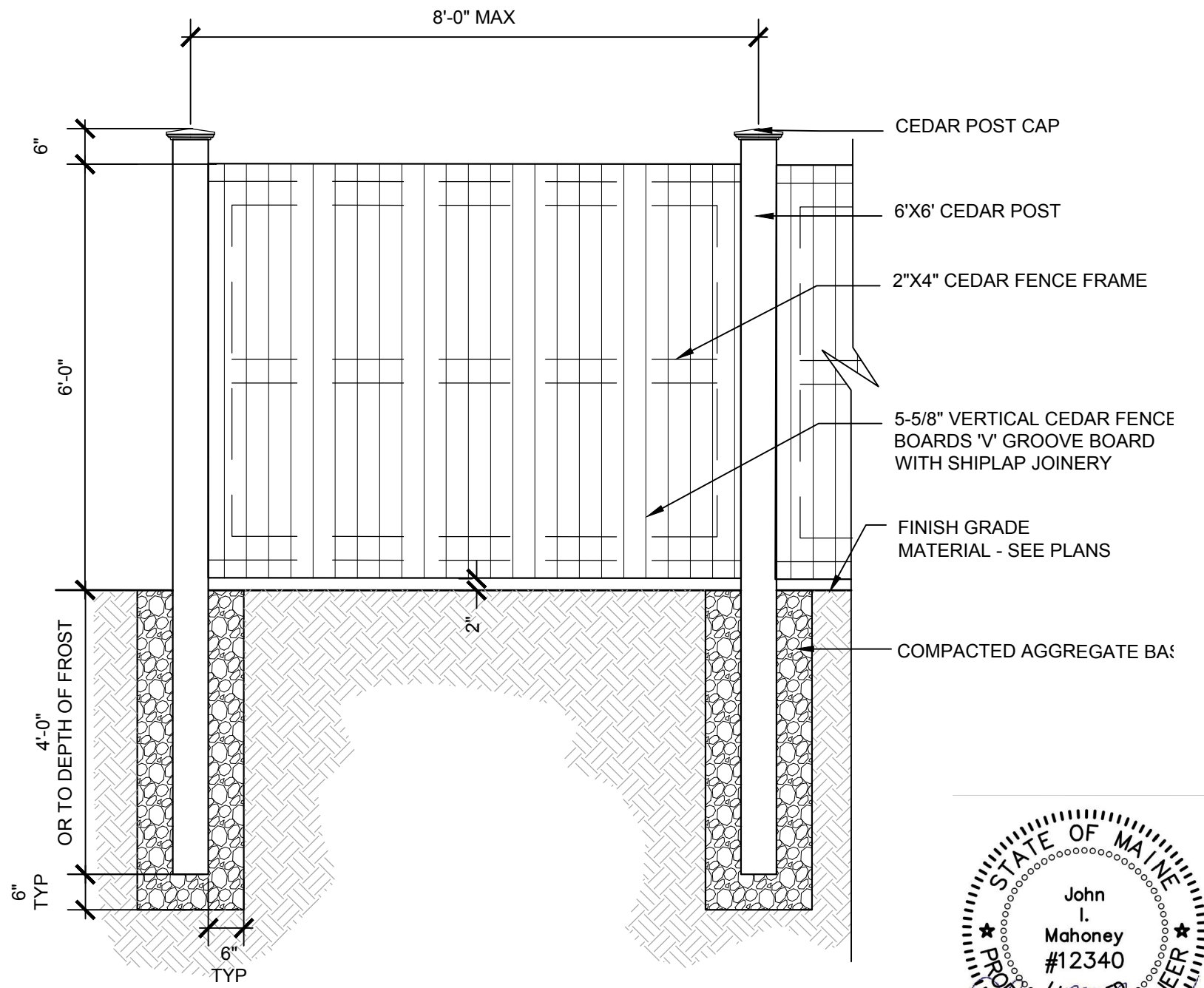
SITE WALL SECTION LOOKING TOWARDS EXISTING BUILDING



8 WOOD GUARDRAIL
NOT TO SCALE



9 BICYCLE RACK
NOT TO SCALE



10 WOOD FENCE DETAIL
NOT TO SCALE

NOT FOR CONSTRUCTION

Project Name:
23 Ocean Ave
Portland, Maine

Owner:
Steven & Roberta Cope
172 Concord Street
Portland, Maine 04103

Consultants:
Architect
Kevin Moquin, Architect
Hammond Street
Portland, Maine 04104
207.615-6421

km
Landscape Architects
Carroll Associates
217 Commercial St.
Portland, ME 04101
207.772.1552

Civil Engineer
Ransom Consulting
400 Commercial St.
Portland, ME 04101
207.772.2891

RANSOM
Consulting Engineers
and Scientists

Drawing Set:

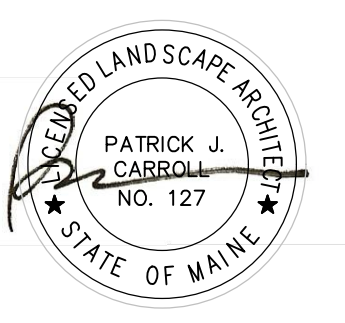
No.	Date	Revision

Drawing Set:
FOR PERMITTING

Drawn:
PAB

Checked:
PC

Approved:



Drawing Title:
DETAILS

Job Number:
File:
Date: 09-02-2016 Scale: 1/8" = 1'-0"
Drawing Number:
L-6.0
© 2016 CARROLL ASSOCIATES

