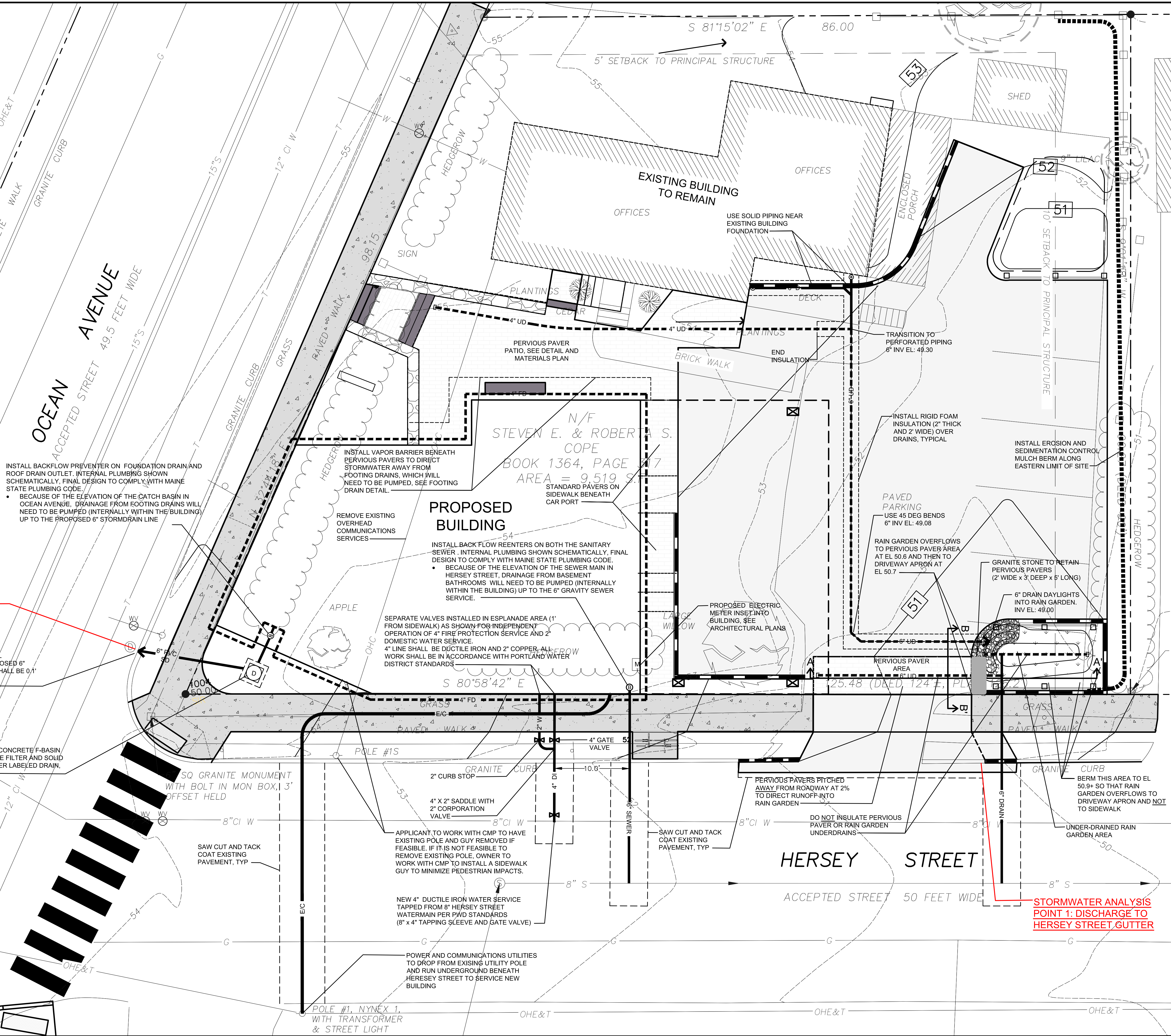


- NOTES**
- THE CITY OF PORTLAND REQUIRES A PRE-CONSTRUCTION MEETING BEFORE SITE WORK CAN BEGIN.
 - DRAIN PIPING SHOWN WITH SOLID LINES IS NON-PERFORATED PVC SDR 35. DRAIN PIPE SHOWN WITH DASHED LINES IS PERFORATED UNDERDRAIN (PERFORATED PVC SDR 35 - OR - PERFORATED, CORRUGATED HDPE WITH SMOOTH INTERIOR).
 - INSTALL EROSION AND SEDIMENTATION CONTROL IN COMPLIANCE WITH THE MAINE DEPARTMENT OF ENVIRONMENTAL PROTECTION'S BEST MANAGEMENT PRACTICES AND GOOD HOUSEKEEPING PRACTICES IN ACCORDANCE WITH APPENDICES A, B AND C OF MAINE DEP CHAPTER 500. CONTRACTOR SHALL UTILIZE VARYING BMPs TO MINIMIZE THE MIGRATION OF EXPOSED SOILS FROM THE SITE. THESE INCLUDE BUT ARE NOT LIMITED TO THE FOLLOWING:
 - GRADE SITE TO DRAIN INTERNALLY
 - INSTALL LOCALIZED SEGMENTS OF MULCH BERM, SILT SOCK, HAY BALES AND/OR CRUSHED STONE CHECK DAMS TO FILTER RUNOFF BEFORE IT LEAVES THE SITE.
 - INSTALL SILT SACKS (OR APPROVED EQUAL) IN DOWNGRADE CATCH BASINS.
 - INSTALL TEMPORARY CONSTRUCTION ENTRANCE (SEE DETAIL) TO MINIMIZE TRACKING OF SOILS ONTO HERSEY STREET.
 - SWEEP HERSEY STREET FREQUENTLY. WATER AND/OR VACUUMING SHALL BE USED TO CONTROL DUST WHEN SWEEPING.
 - CONTRACTOR SHALL INSPECT ALL EROSION AND SEDIMENTATION CONTROL MEASURES ON A WEEKLY BASIS AND AFTER RAINSTORM EVENTS AND SHALL KEEP A LOG OF THESE INSPECTIONS. ANY ISSUES IDENTIFIED SHALL BE ADDRESSED AS SOON AS POSSIBLE AND BEFORE ADDITIONAL PRECIPITATION.
 - ALL WORK IN THE RIGHT OF WAY SHALL MEET THE CITY OF PORTLAND TECHNICAL MANUAL STANDARDS
 - ELEVATIONS ARE BASED ON CITY OF PORTLAND DATUM.
 - CONTRACTOR SHALL VERIFY ALL DIMENSIONS AND GRADES IN THE FIELD AND NOTIFY THE ENGINEER IMMEDIATELY OF ANY DISCREPANCIES.
 - UTILITY LOCATIONS ARE APPROXIMATE AND SHALL BE VERIFIED PRIOR TO CONSTRUCTION. ANY DISCREPANCIES OR CONFLICTS SHALL BE IMMEDIATELY REPORTED TO THE ARCHITECT/ENGINEER.
 - ALL UTILITY INSTALLATIONS SHALL MEET THE REQUIREMENTS OF THE CITY OF PORTLAND, AS WELL AS ANY OTHER LOCAL, STATE, FEDERAL AND UTILITY OWNER REQUIREMENTS.
 - SITE CONTRACTOR SHALL REPAIR ALL DISTURBED AREAS IN ACCORDANCE WITH THE EROSION CONTROL PLAN AND DETAILS.
 - ALL AREAS DISTURBED BY CONSTRUCTION NOT TO BE PAVED OR OTHERWISE TREATED SHALL BE LOAMED AND SEEDED ACCORDING TO THE PROJECT SPECIFICATIONS.



23 Ocean Avenue

23 OCEAN AVENUE, PORTLAND, MAINE

Owner / Developer:
Steven & Roberta Cope
172 Concord Street
Portland, Maine 04103



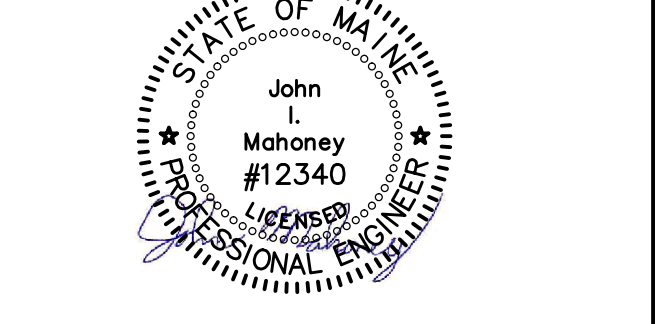
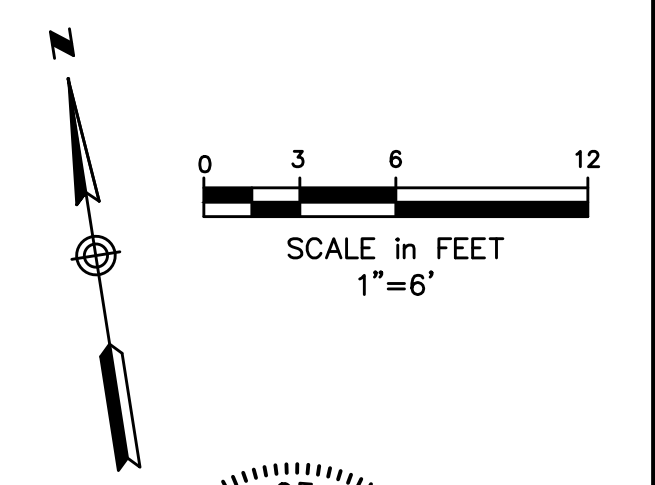
Architect
Kevin Moquin, Architect
Hammond Street
Portland, Maine 04104
207.615-6421



Landscape Architect
Carroll Associates
217 Commercial Street
Portland, Maine 04101
207.772.1552



Civil Engineer
Ransom Consulting, Inc.
400 Commercial Street, Suite 404
Portland, Maine 04101
207-772-2891



UTILITY & STORMWATER MANAGEMENT PLAN

B	REVISED PER CITY COMMENT	9-7-16
A	SITE PLAN PERMITTING	6-6-16
No.	Revision/Issue	Date
Design by:	JIM	Checked by: SJB
Drawn by:	JIM	Approved by: SJB
Project:	161.06035	
Sheet No.:		

C1