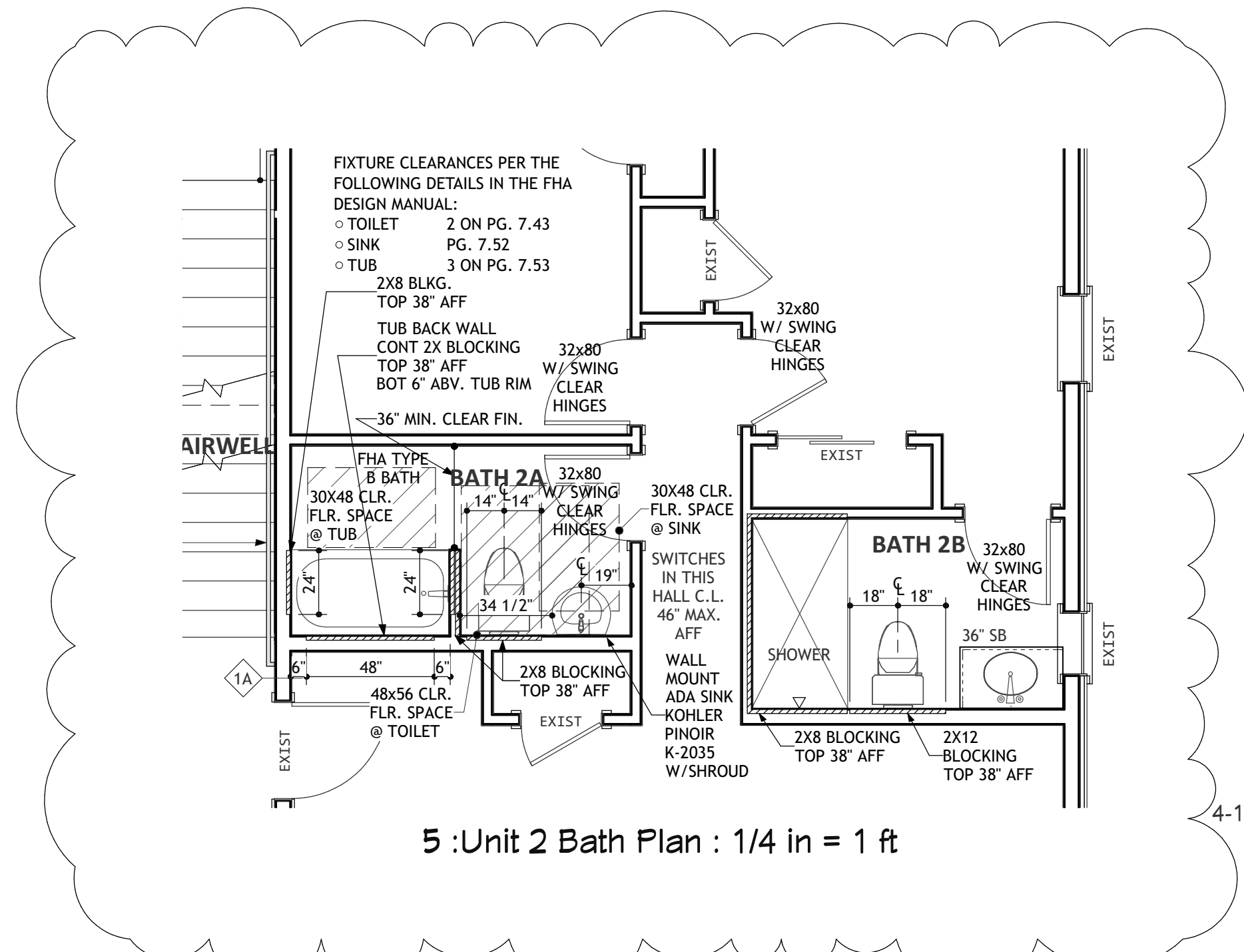


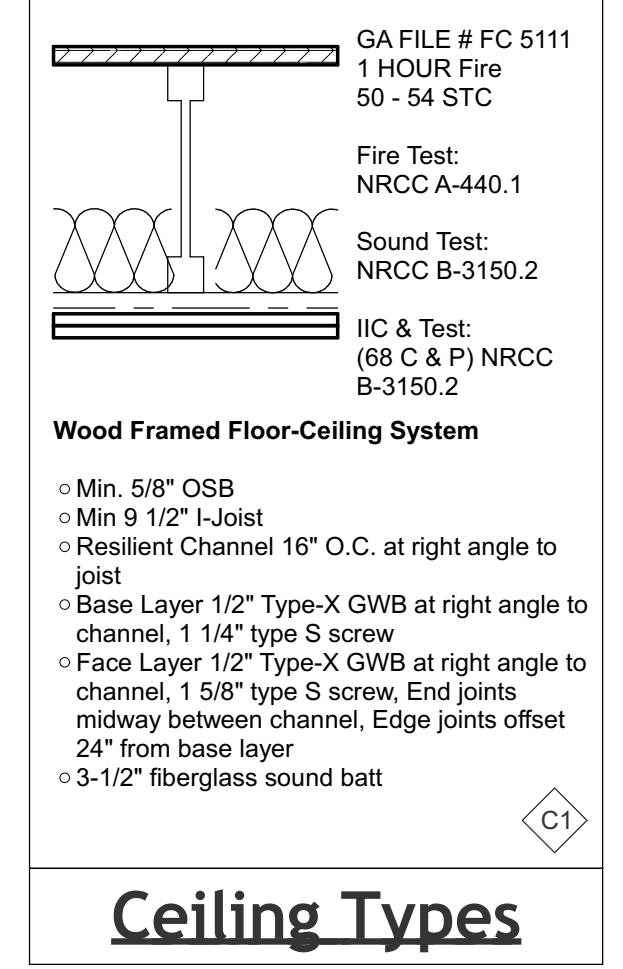
4 : Hoistway Section : 1/4 in = 1 ft



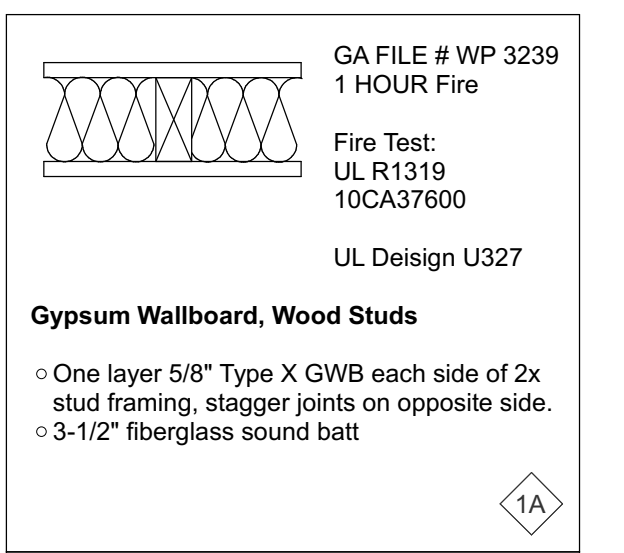
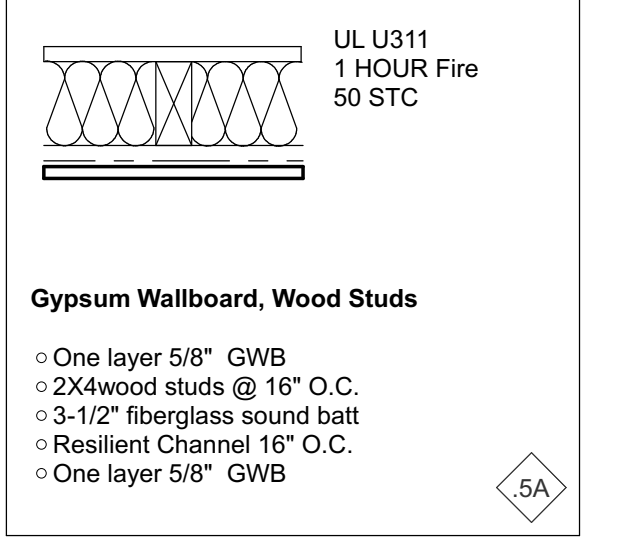
5 : Unit 2 Bath Plan : 1/4 in = 1 ft

NUMBER	QTY	FLOOR	WIDTH	HEIGHT	DESCRIPTION	COMMENTS
D01	1	1	36"	80"	HINGED-DOOR P01	CLOSER, 1HR RATED
D02	1	2	36"	80"	HINGED-DOOR P01	CLOSER, 1HR RATED
D03	1	2	34"	80"	HINGED-DOOR P01	
D04	1	2	34"	80"	HINGED-DOOR P01	
D05	1	2	30"	80"	HINGED-DOOR P01	
D06	1	2	34"	80"	HINGED-DOOR P01	
D07	1	2	34"	80"	HINGED-DOOR P01	
D08	1	2	34"	80"	HINGED-DOOR P01	
D09	1	0	36"	80"	HINGED-DOOR P01	CLOSER, 1HR RATED
D10	1	0	36"	80"	HINGED-DOOR P01	CLOSER, 1HR RATED
D11	1	0	36"	80"	HINGED-DOOR P01	1 HOUR RATED

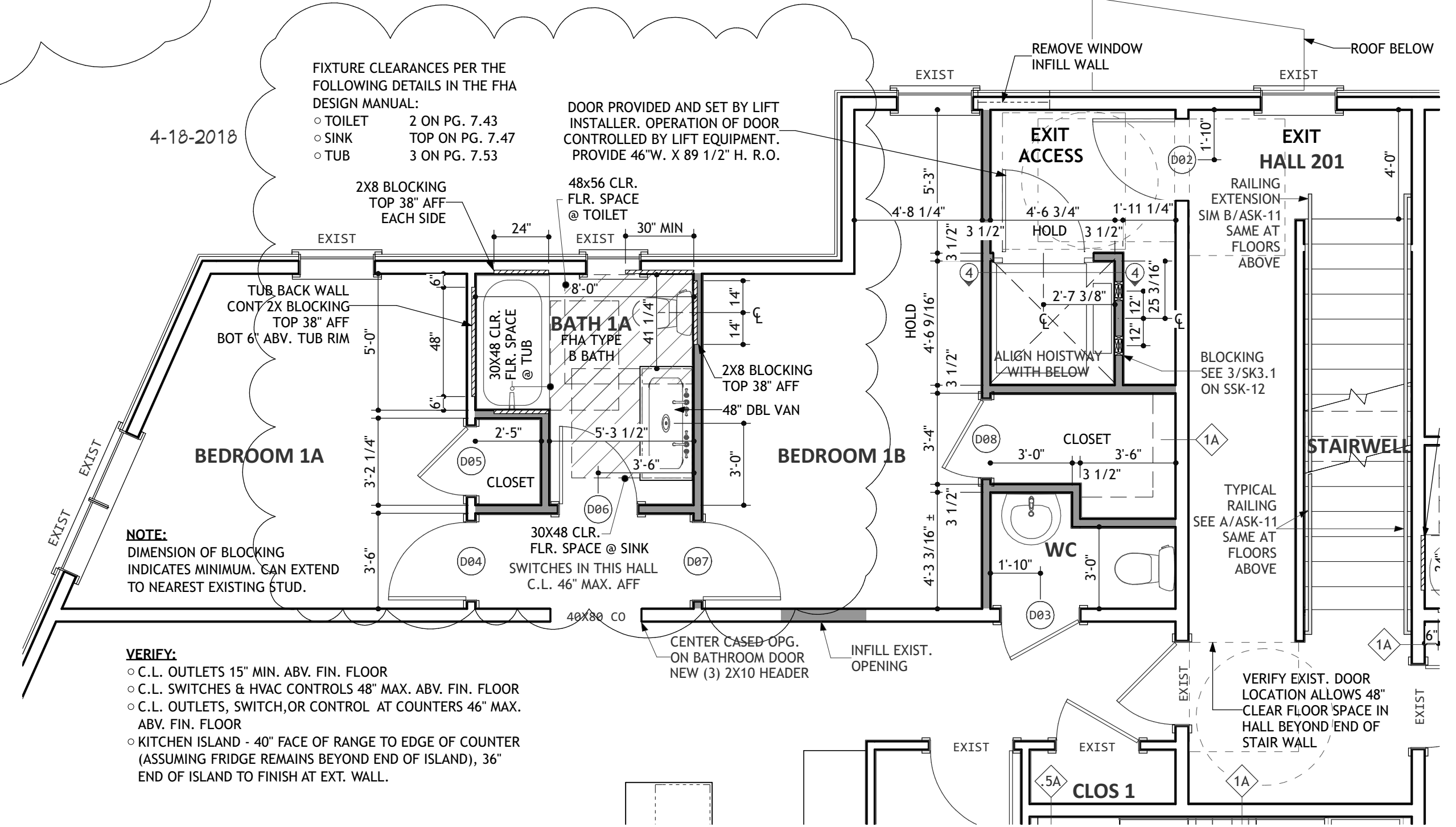
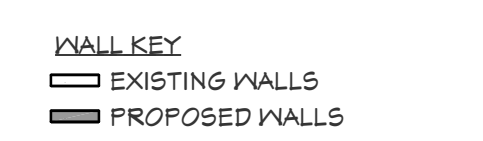
LEVER HANDLES TYPICAL



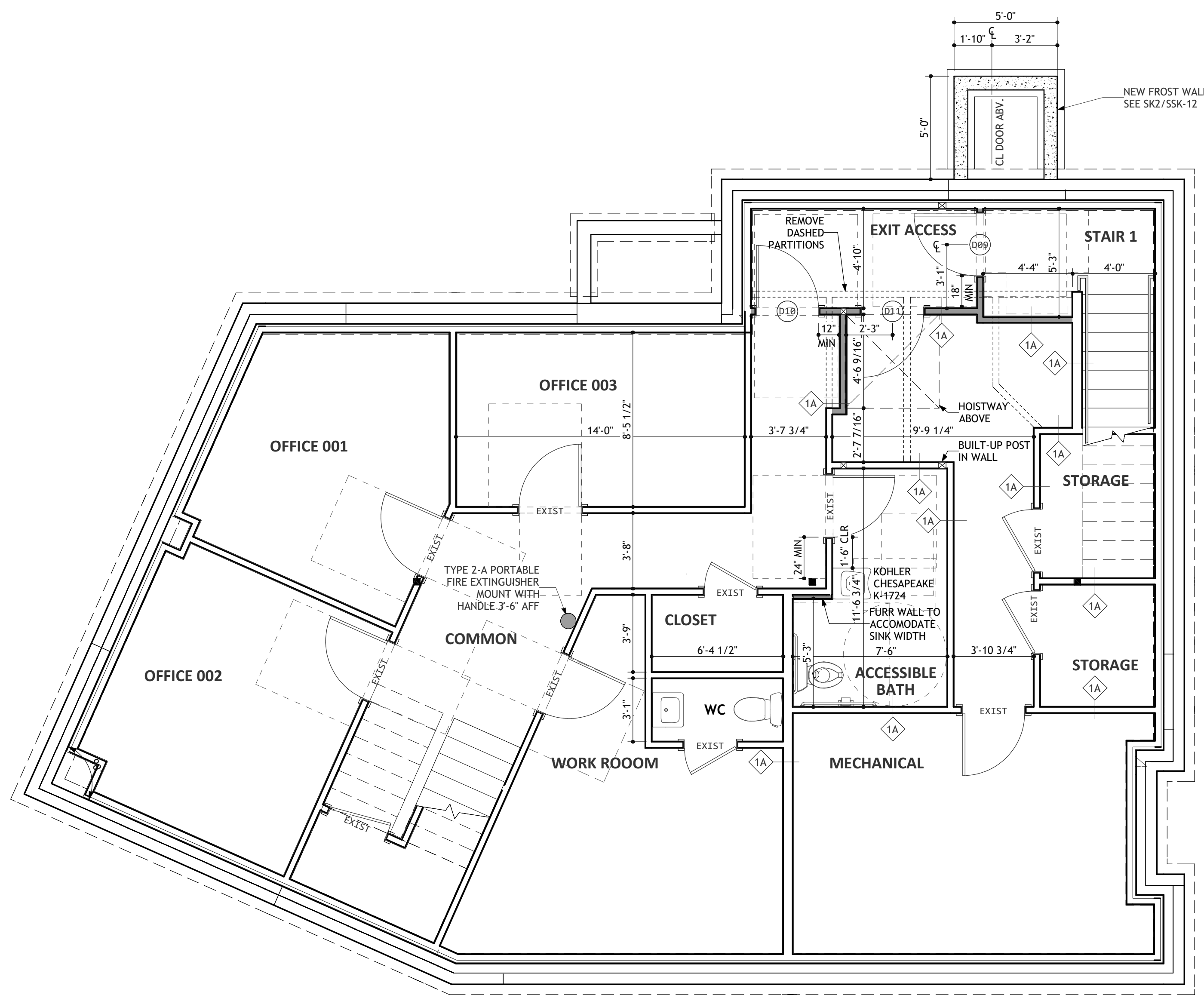
Ceiling Types



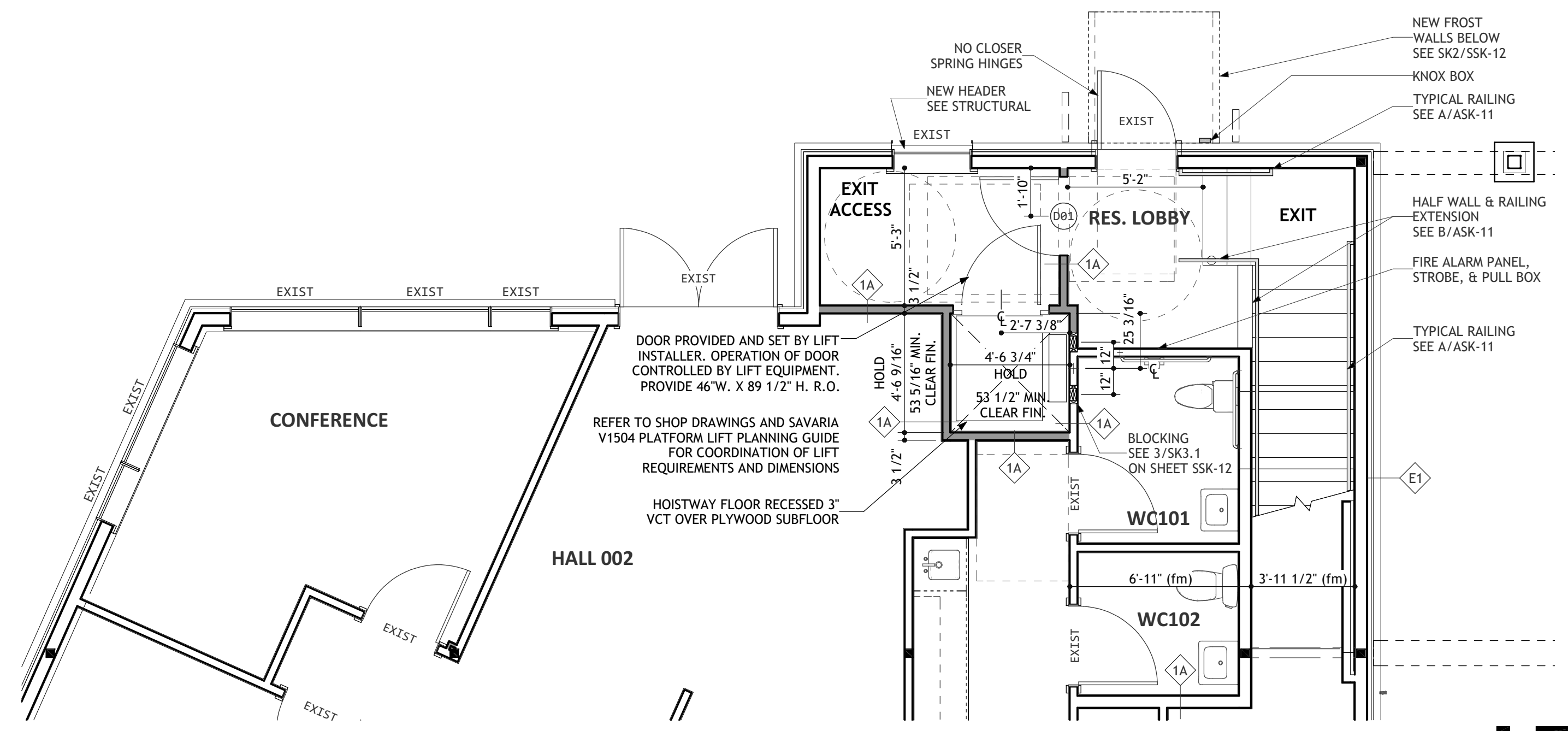
Wall Types



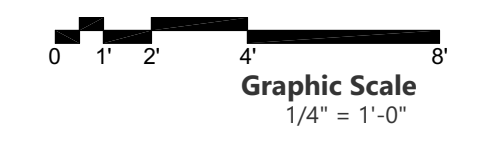
2 : Partial 2nd Floor Unit 1 : 1/4 in = 1 ft



3 : Partial Basement : 1/4 in = 1 ft



1 : Partial 1st Floor : 1/4 in = 1 ft



km
Kevin Moquin Architect
Maine Licensed Architect
1 Union St. #203 Portland, ME
km-a-me - info@km-a-me
(207) 615-6421

23 Ocean
Portland, ME
PERMIT
2017-00012
AMENDMENT

LICENSED ARCHITECT
KEVIN J. MOQUIN
ARC3016
MADE OF MAINE
Floor Plans

3/7/2018
ASK-10
2 of 4