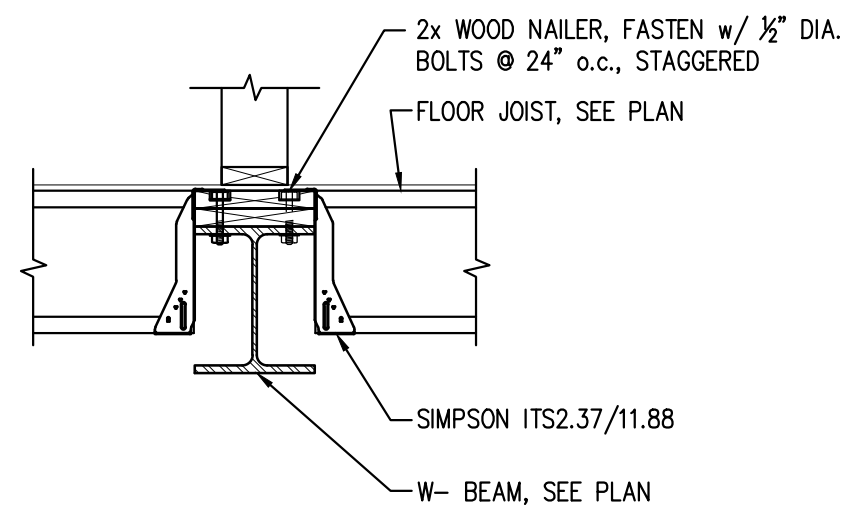
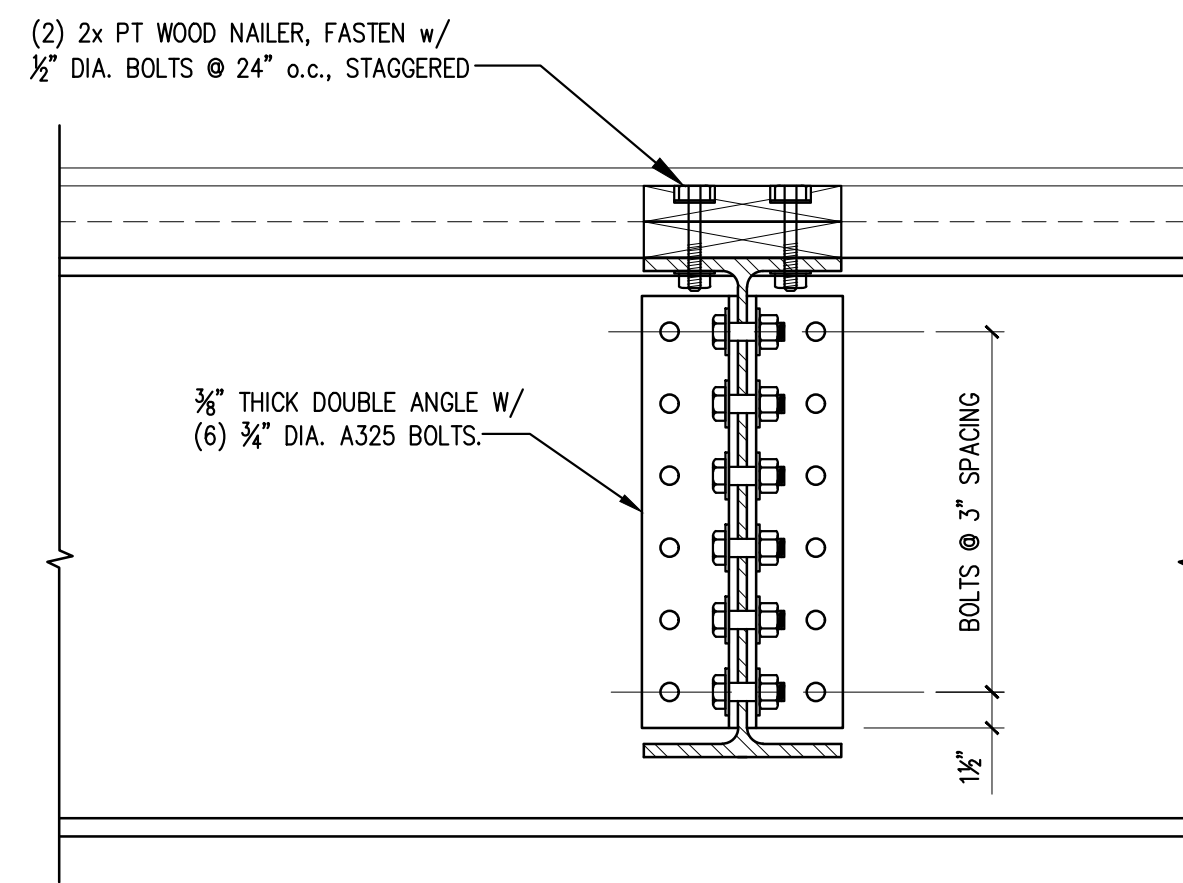


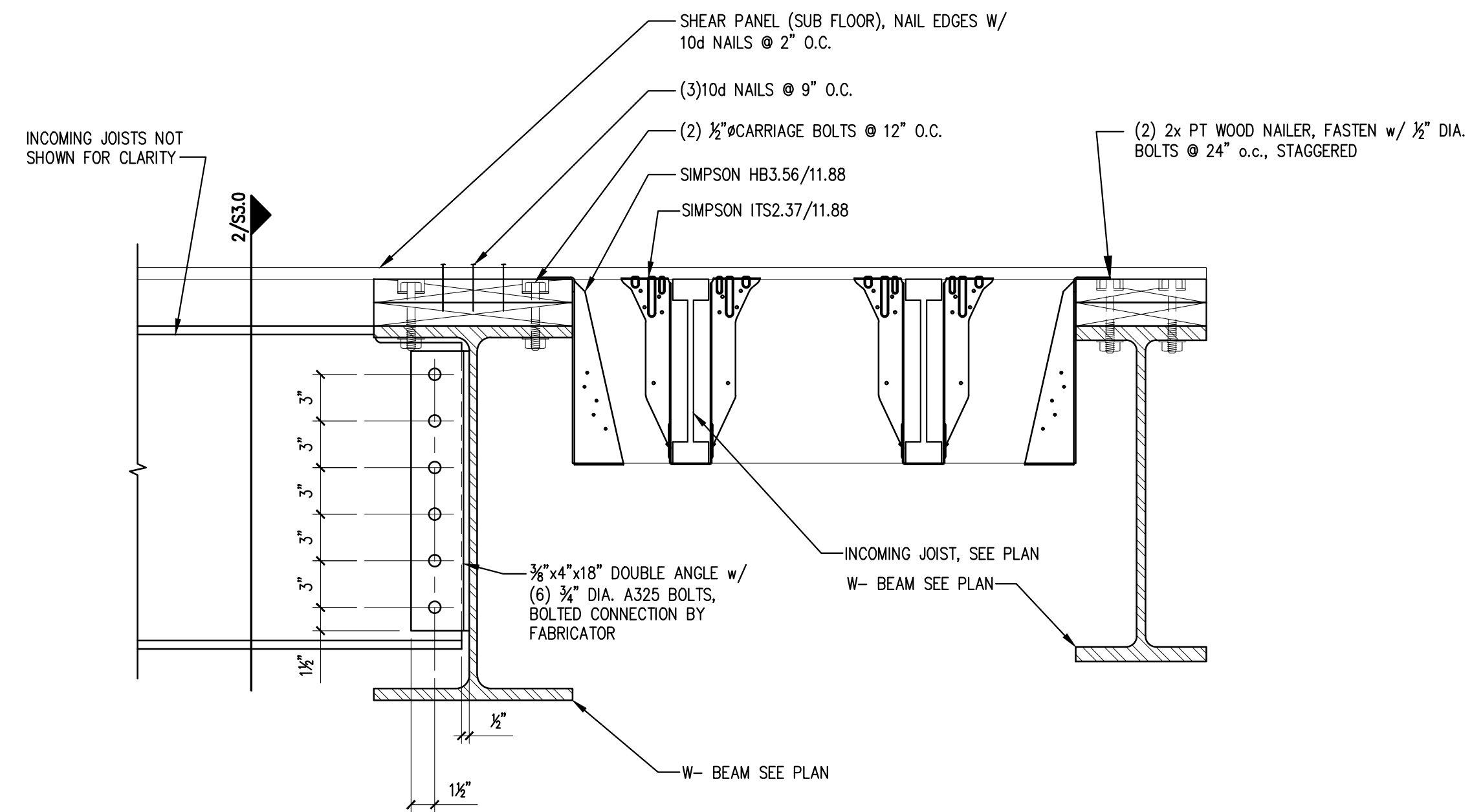
PRINTED: Dec 14, 2016



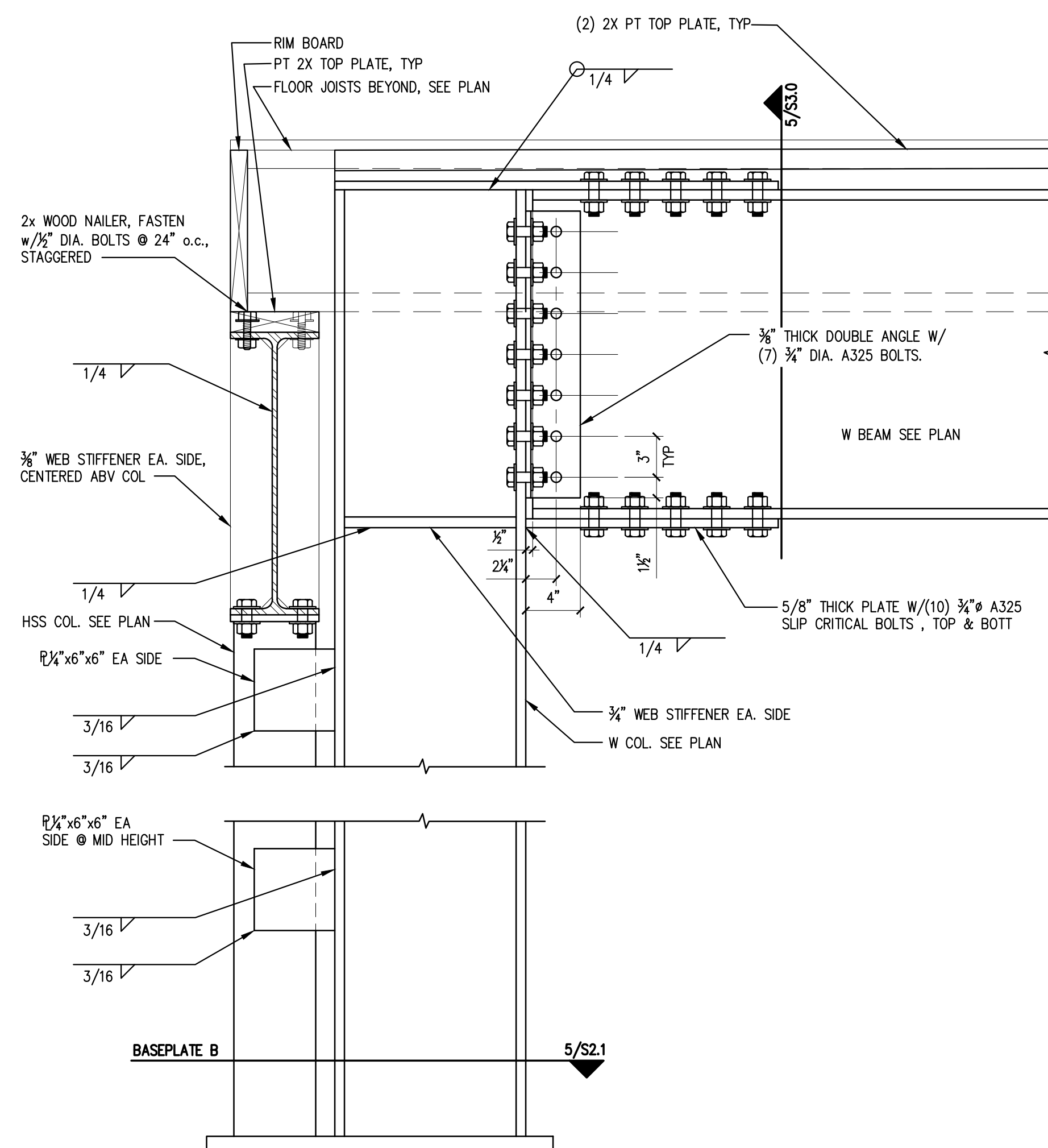
1 SECTION 1" = 1'-0"



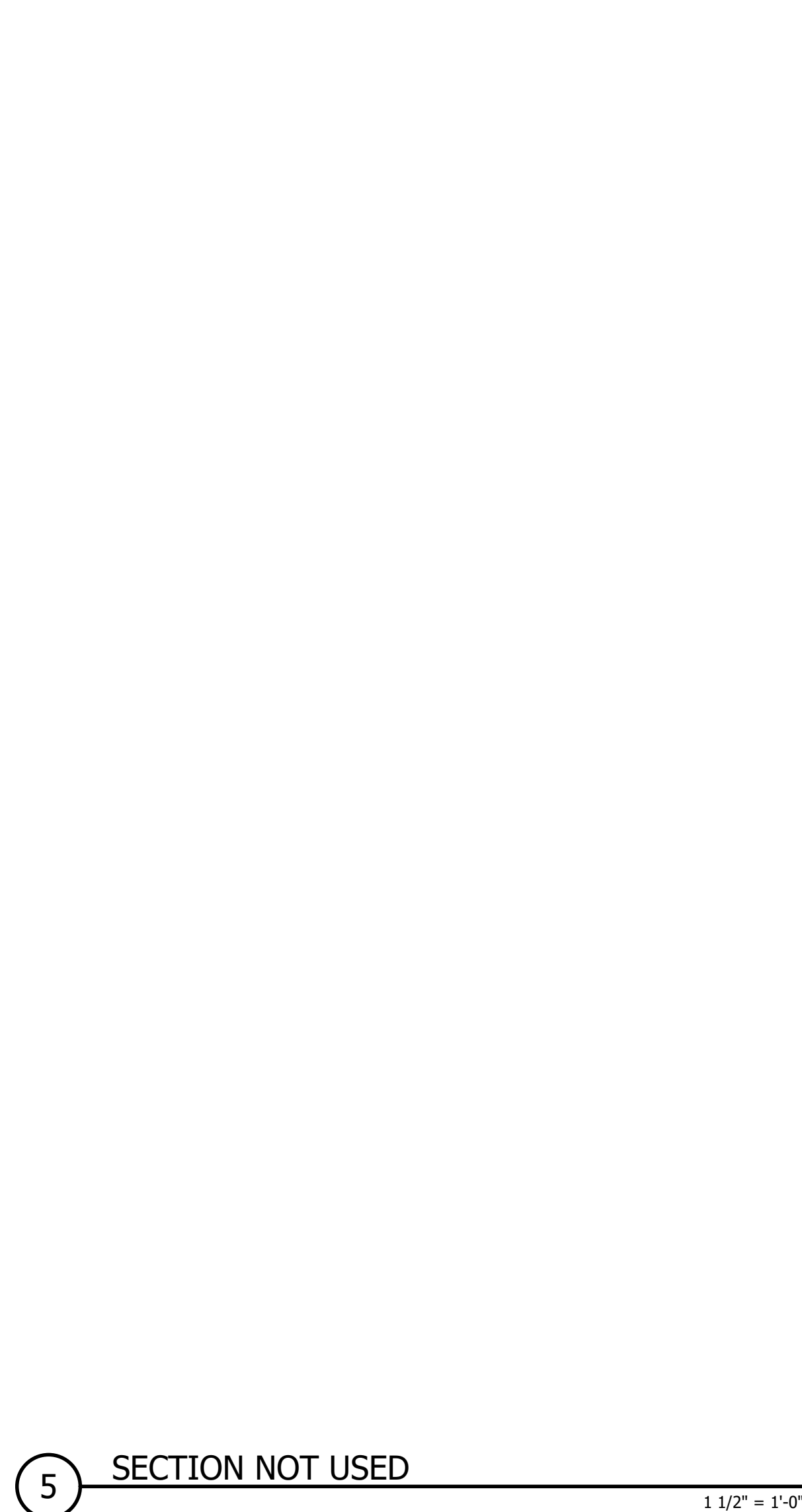
2 SECTION 1 1/2" = 1'-0"



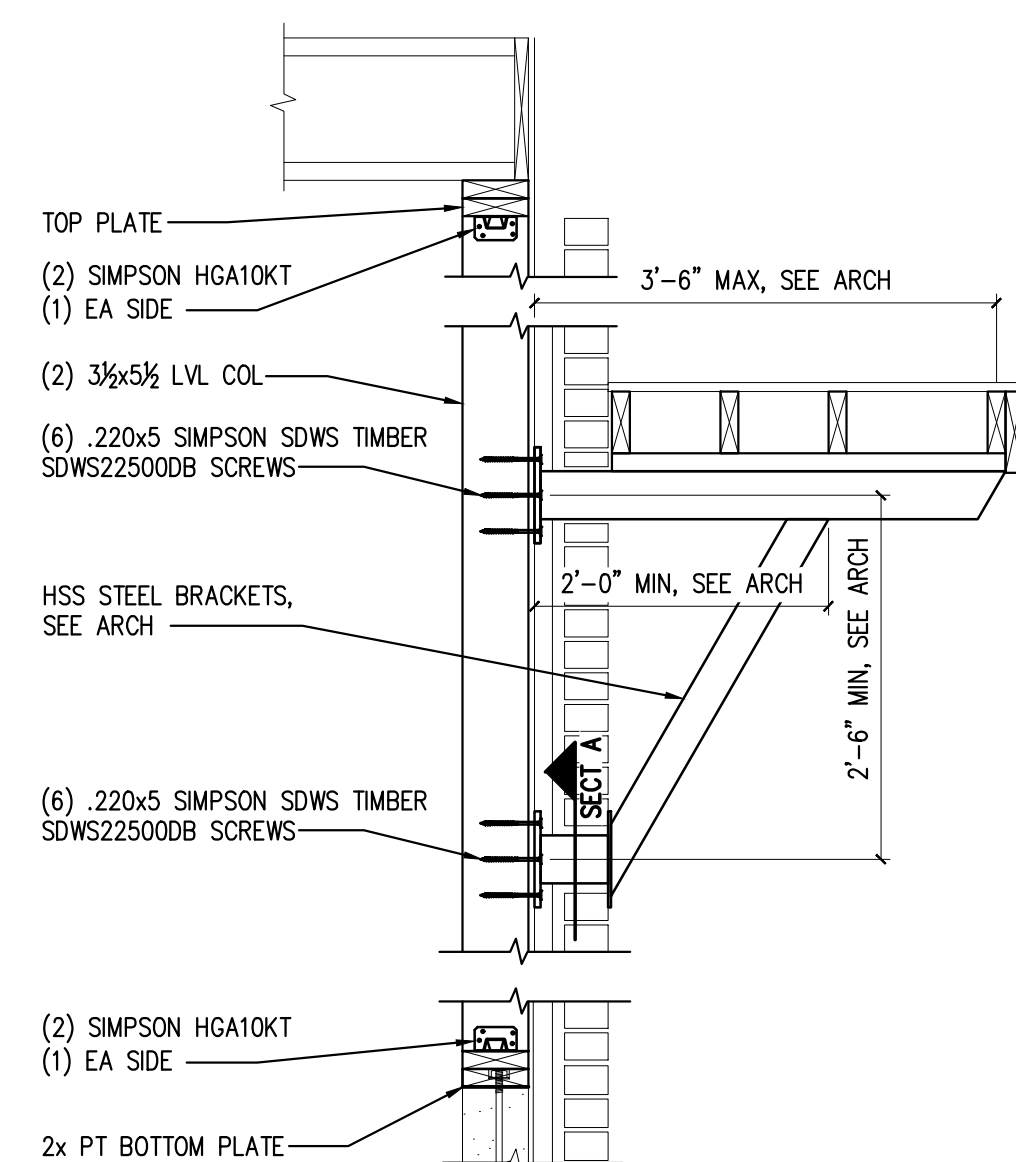
3 SECTION 1 1/2" = 1'-0"



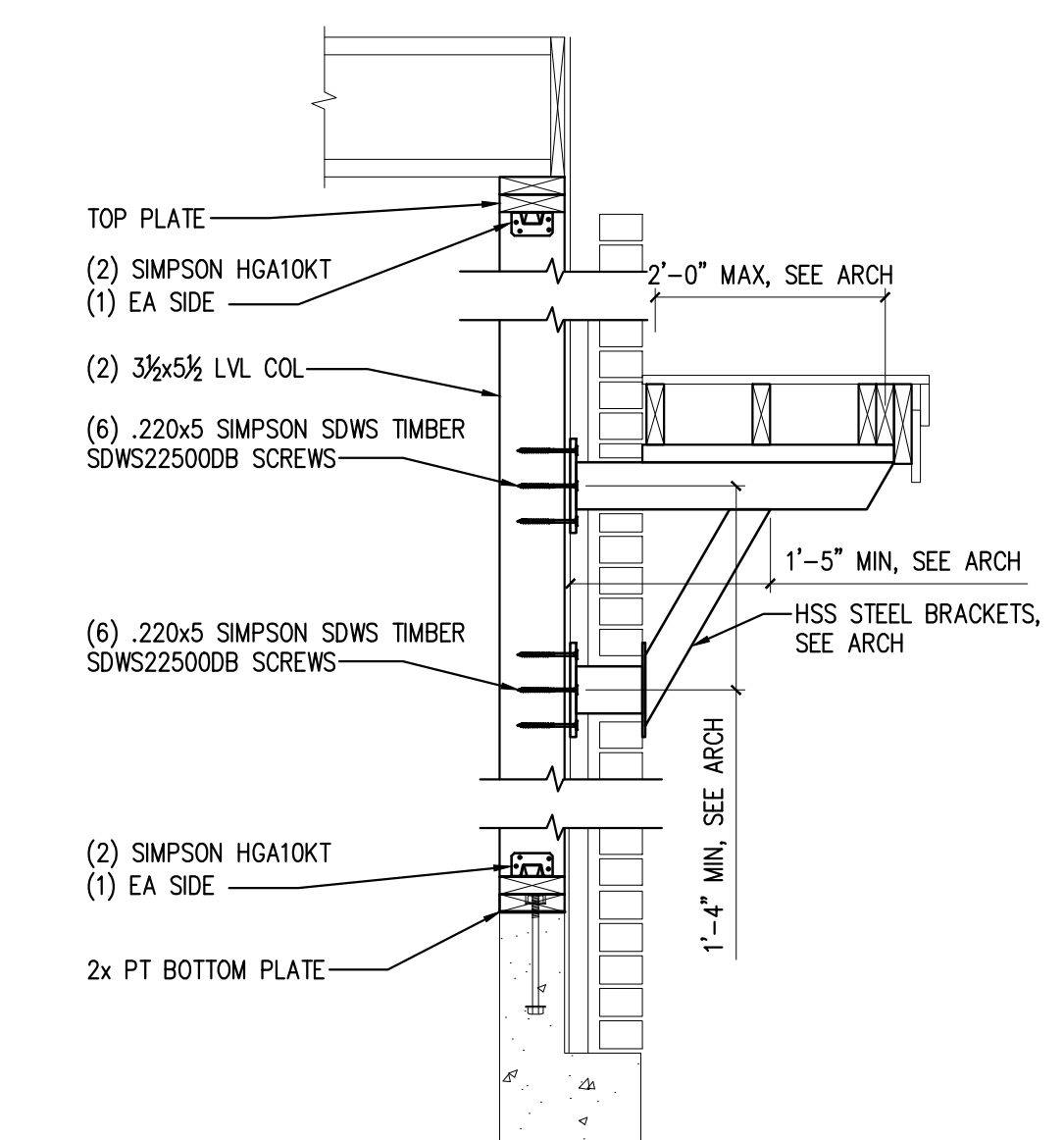
4 SECTION 1 1/2" = 1'-0"



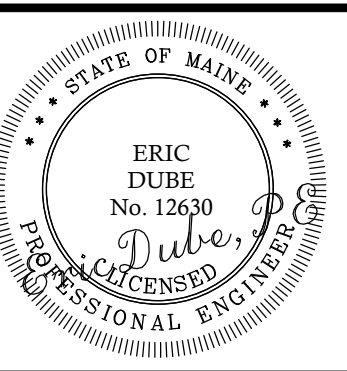
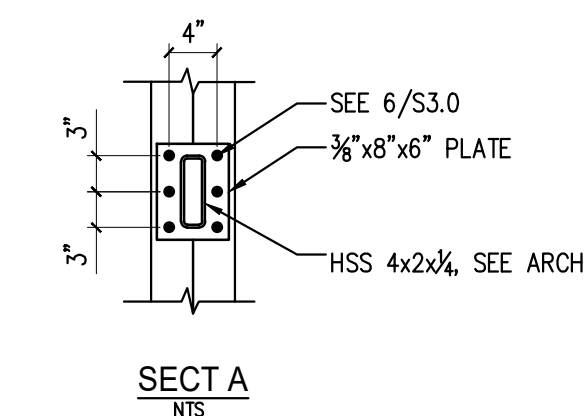
5 SECTION NOT USED 1 1/2" = 1'-0"



6 SECTION 3/4" = 1'-0"



7 SECTION 3/4" = 1'-0"



PORTLAND, ME

23 OCEAN
23 OCEAN AVE

PROPOSED BUILDING

| No. | DESCRIPTION | DR. | CHK. | DATE |
|-----|-------------------|-----|------|----------|
| | | BY | ED | |
| A | ISSUED FOR REVIEW | CD | ED | 11-2-16 |
| B | ISSUED FOR PERMIT | CD | ED | 12-14-16 |

SHEET TITLE:

FRAMING DETAILS

DESIGNED: ED
DRAWN: CD
DATE: 9-14-16
PROJECT NUMBER: 16-063

S3.0