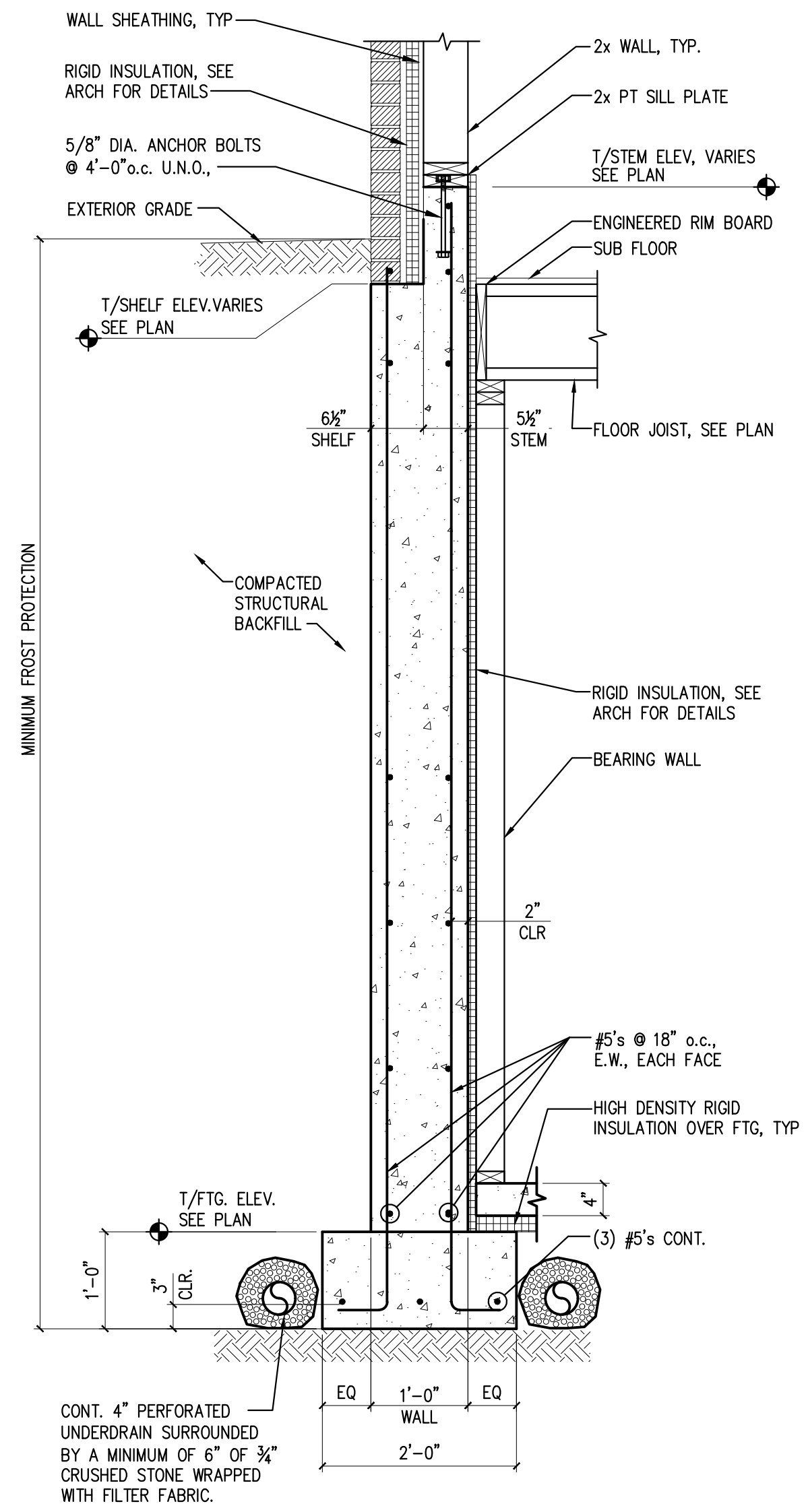
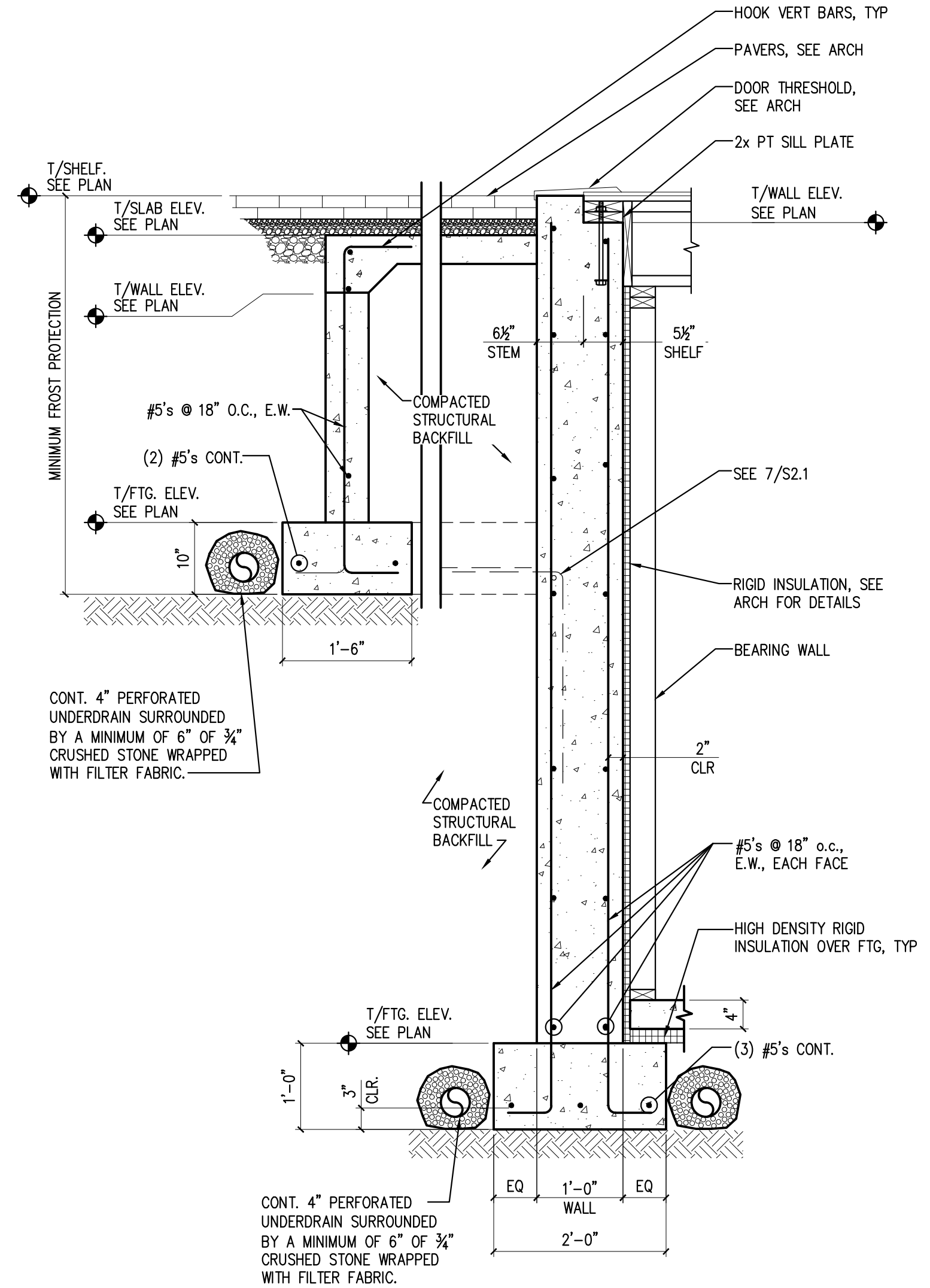


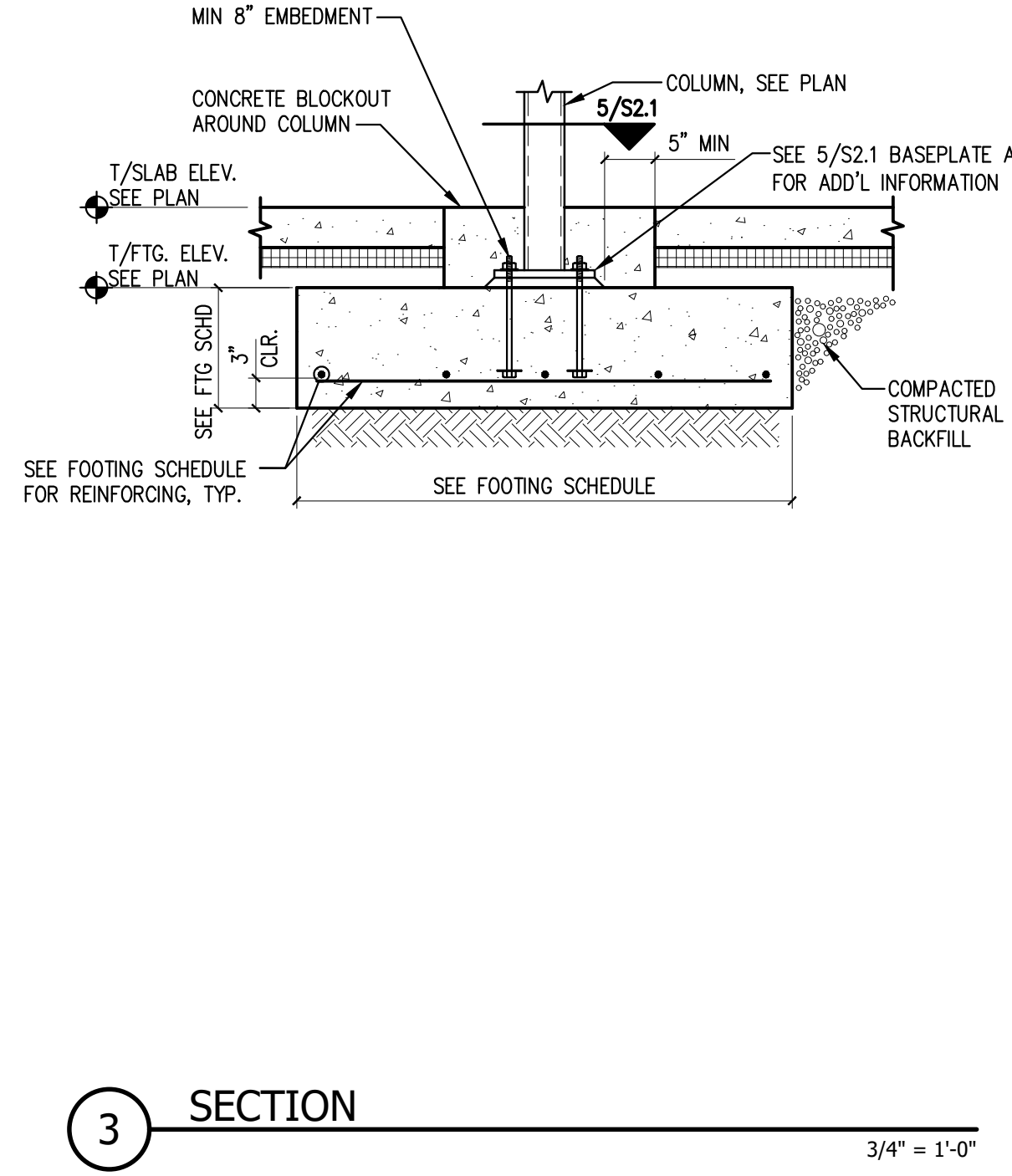
PRINTED: Dec 14, 2016



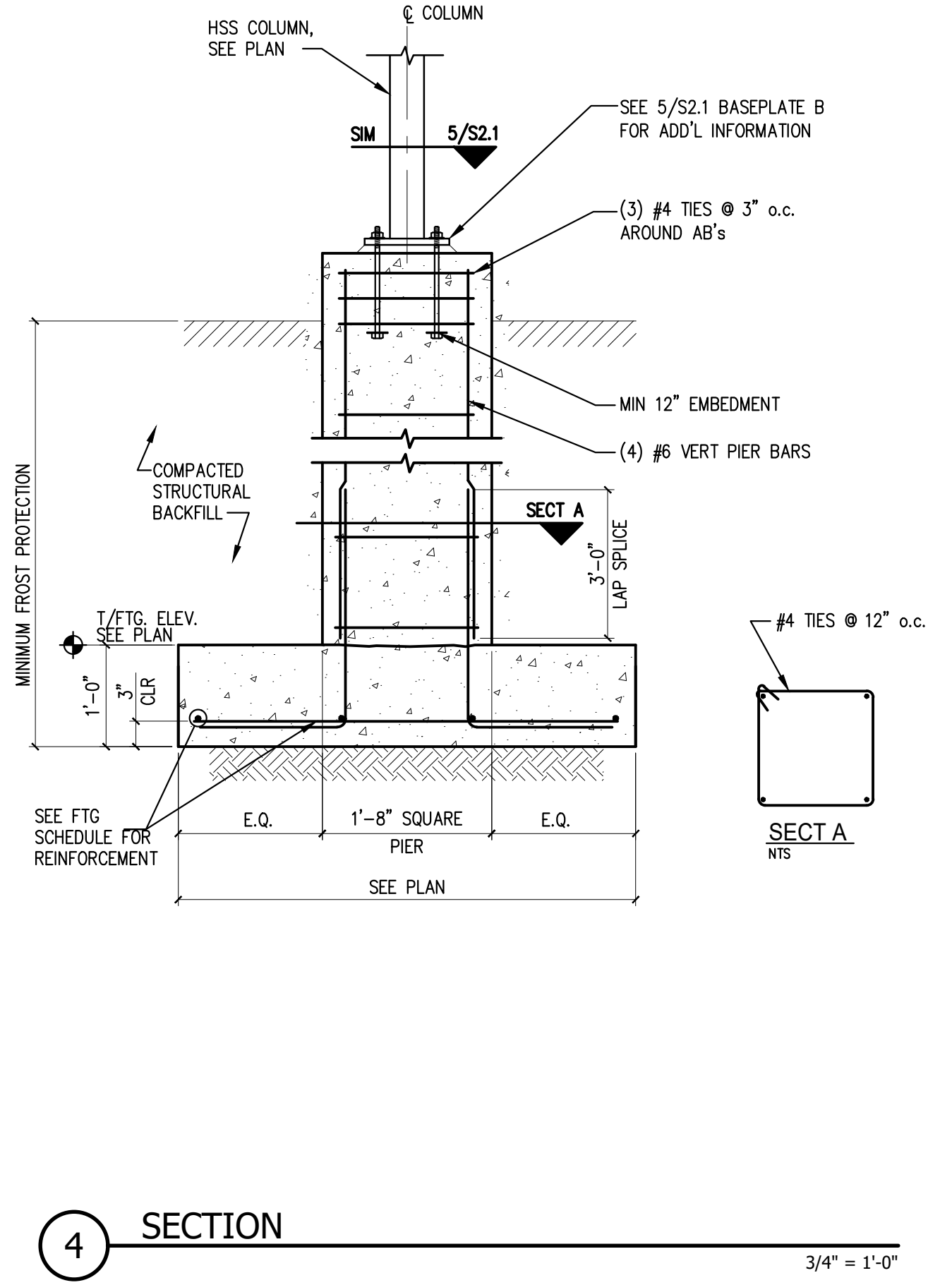
1 SECTION 3/4" = 1'-0"



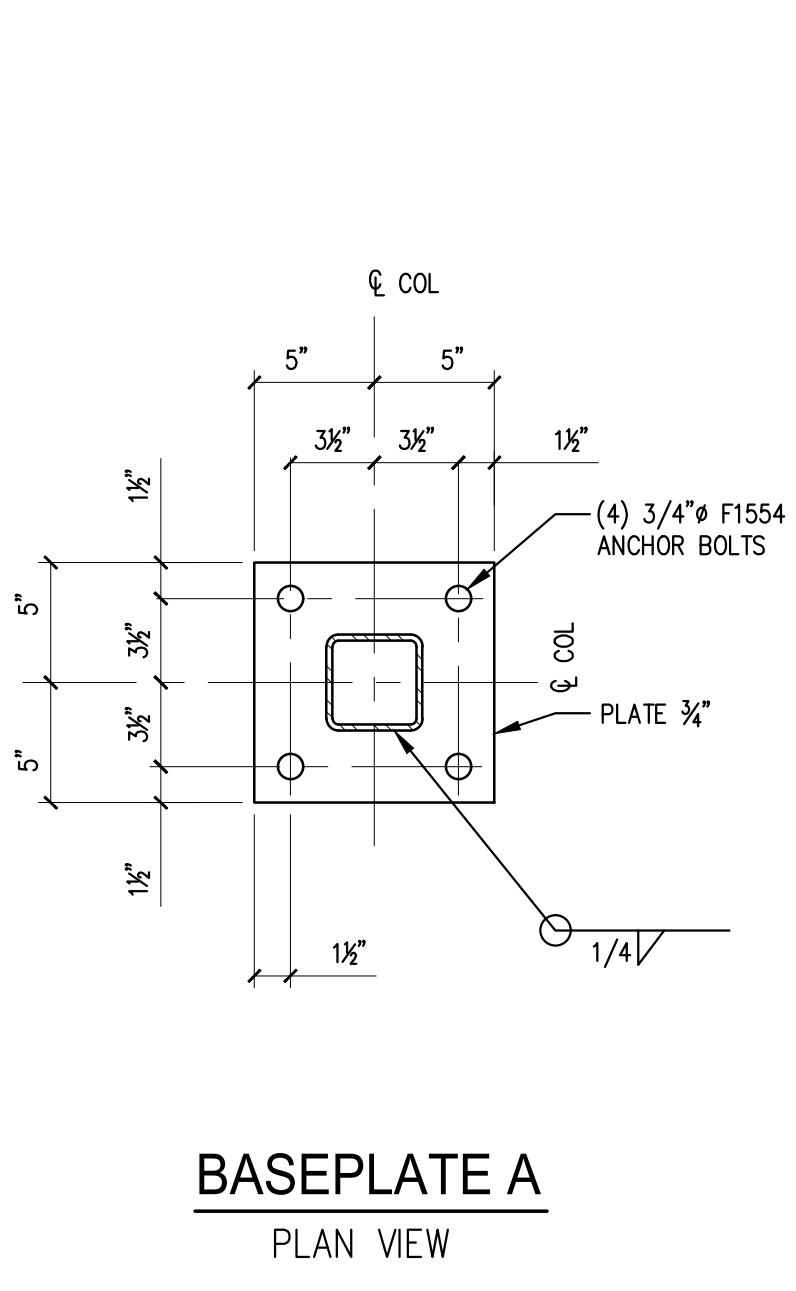
2 SECTION 3/4" = 1'-0"



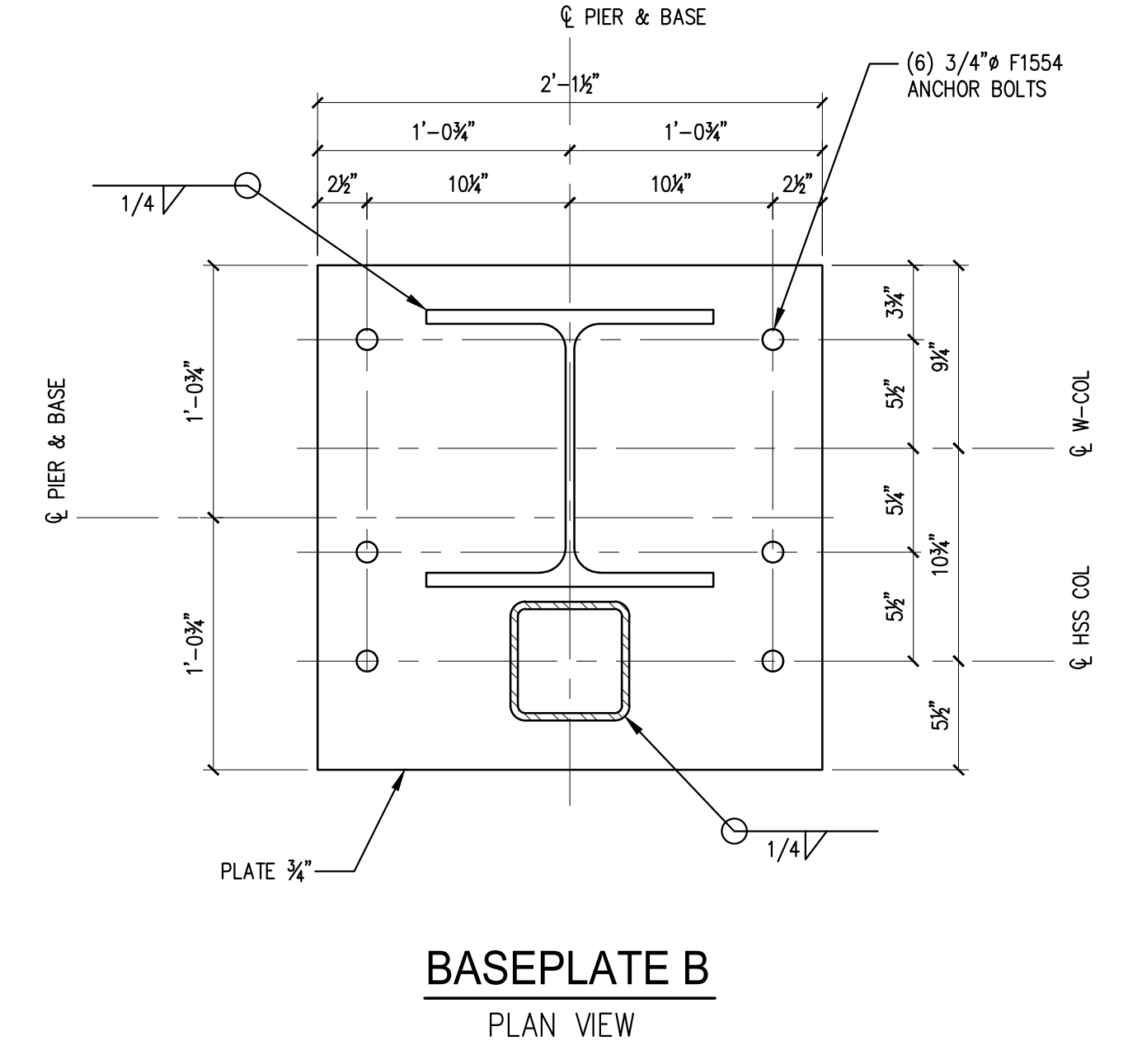
3 SECTION 3/4" = 1'-0"



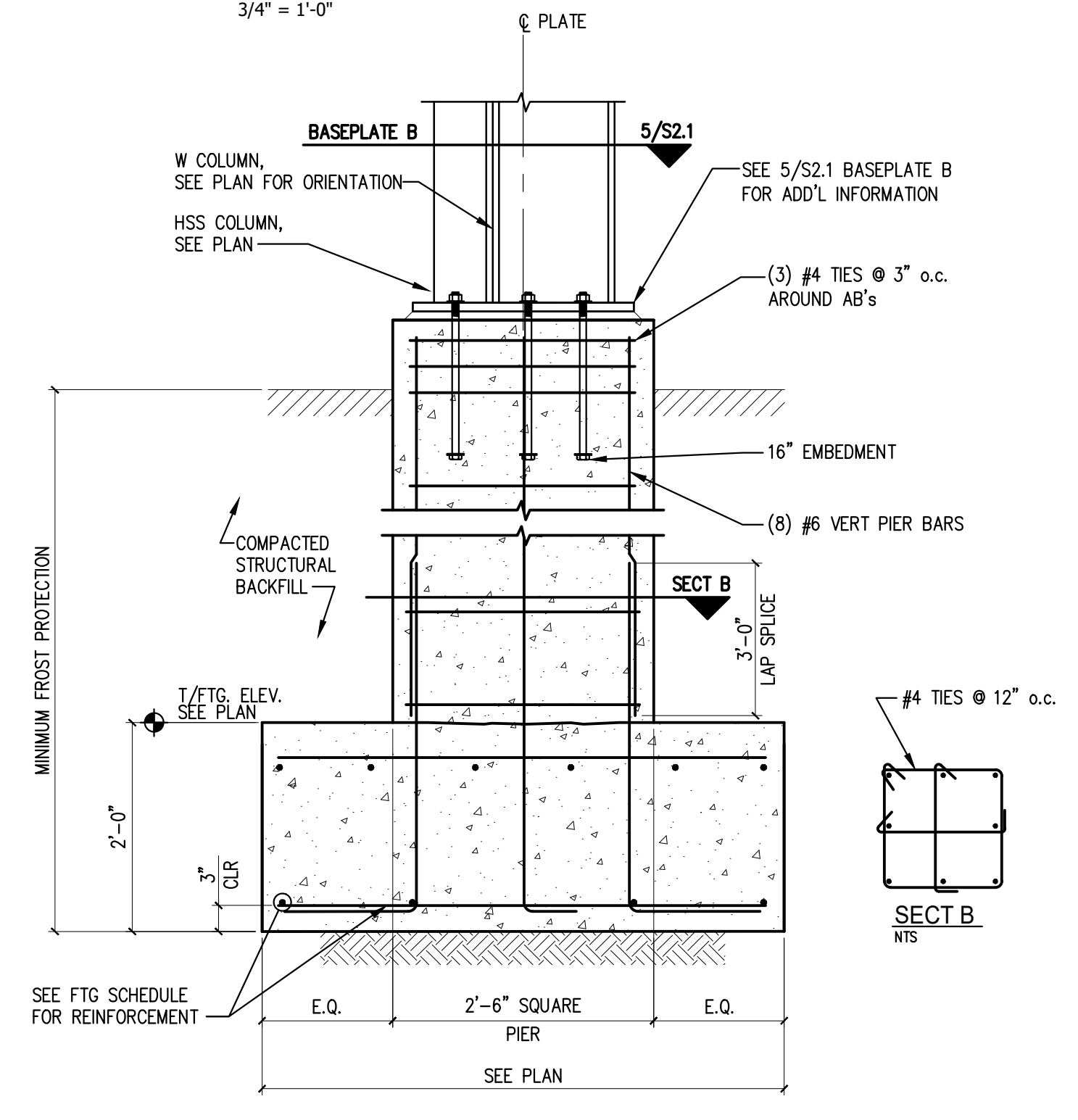
4 SECTION 3/4" = 1'-0"



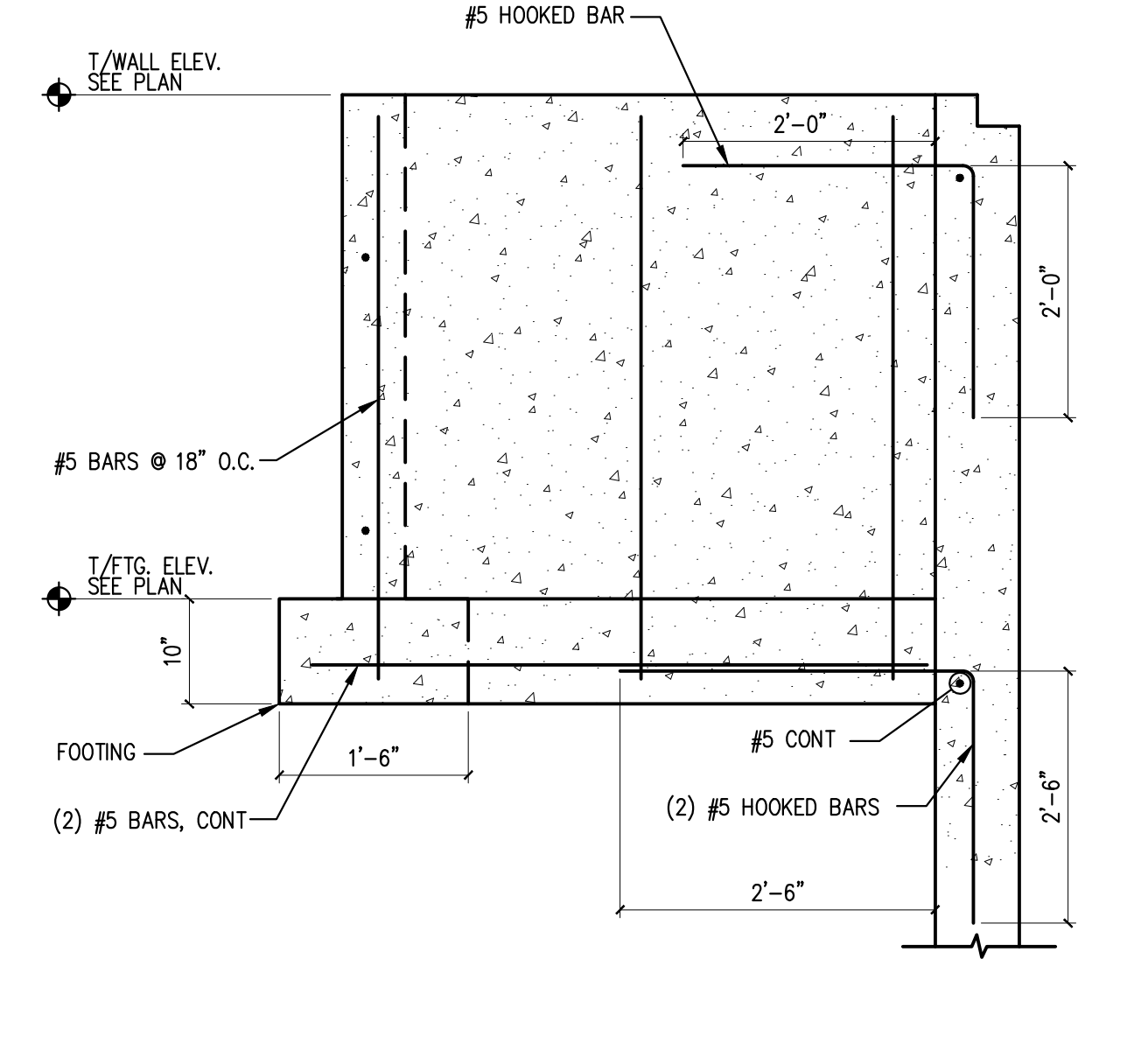
5 SECTION 1 1/2" = 1'-0"



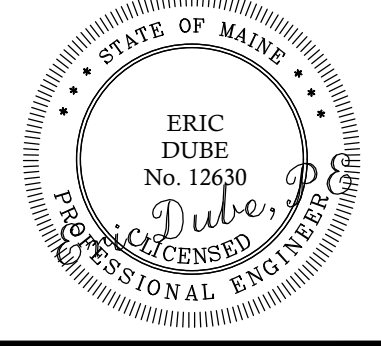
6 SECTION 3/4" = 1'-0"



6 SECTION 3/4" = 1'-0"



7 SECTION 3/4" = 1'-0"



23 OCEAN
23 OCEAN AVE
PORTLAND, ME

PROPOSED BUILDING

No.	DESCRIPTION	ISSUED FOR REVIEW	ISSUED FOR PERMIT	DR.	CHK.	DATE
				BY	BY	ED
A				CD	ED	11-2-16
B				CD	ED	12-14-16

SHEET TITLE:

CONCRETE DETAILS

DESIGNED:	ED
DRAWN:	CD
DATE:	9-14-16
PROJECT NUMBER:	16-063