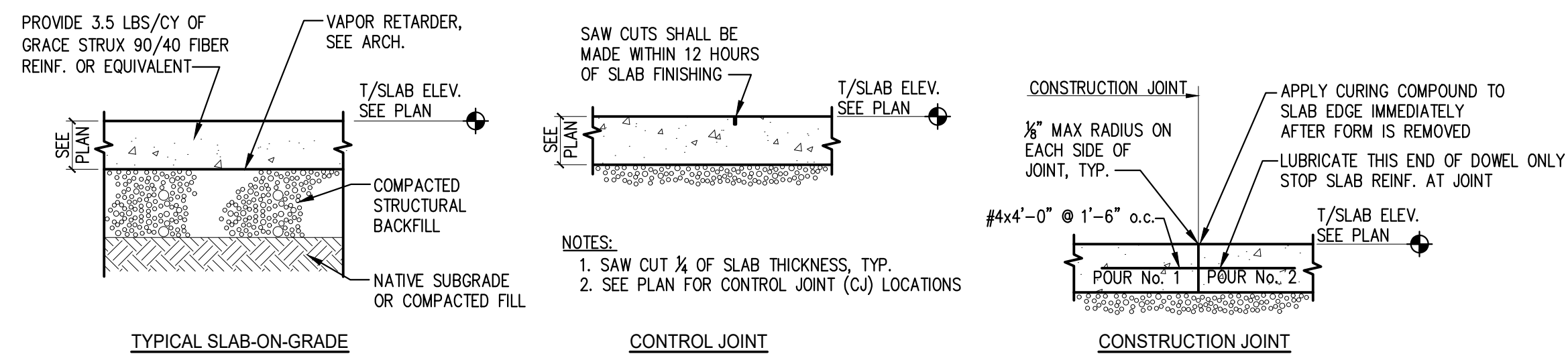


PRINTED: Dec 14, 2016

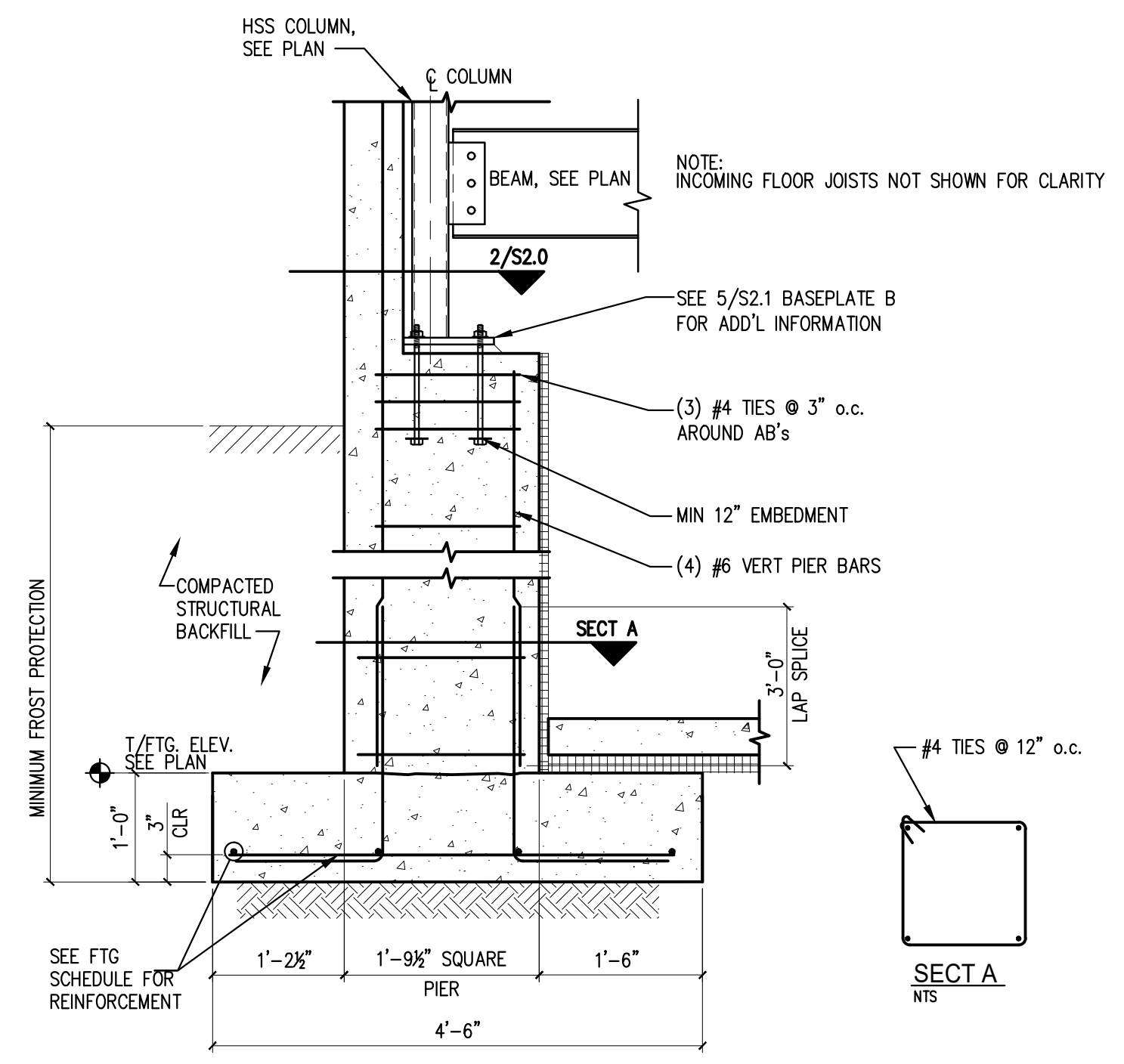
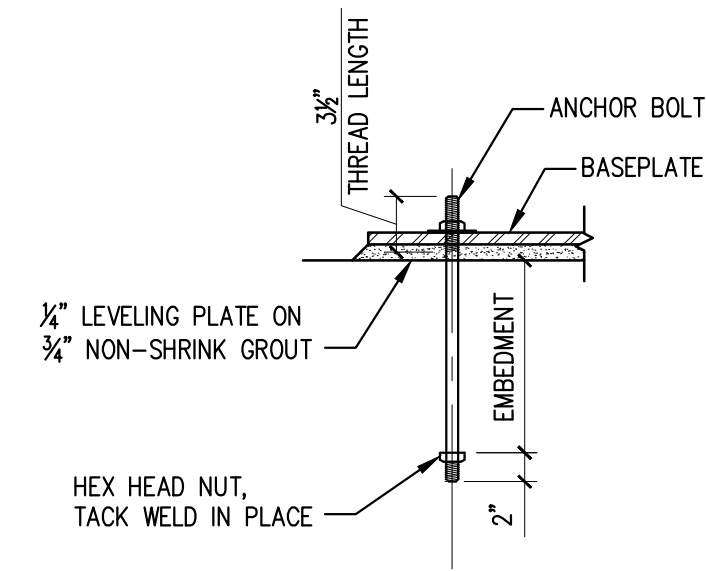


TYP. SLAB-ON-GRADE DETAIL

SCALE: NTS

TYPICAL ANCHOR BOLT DETAIL

SCALE: NTS

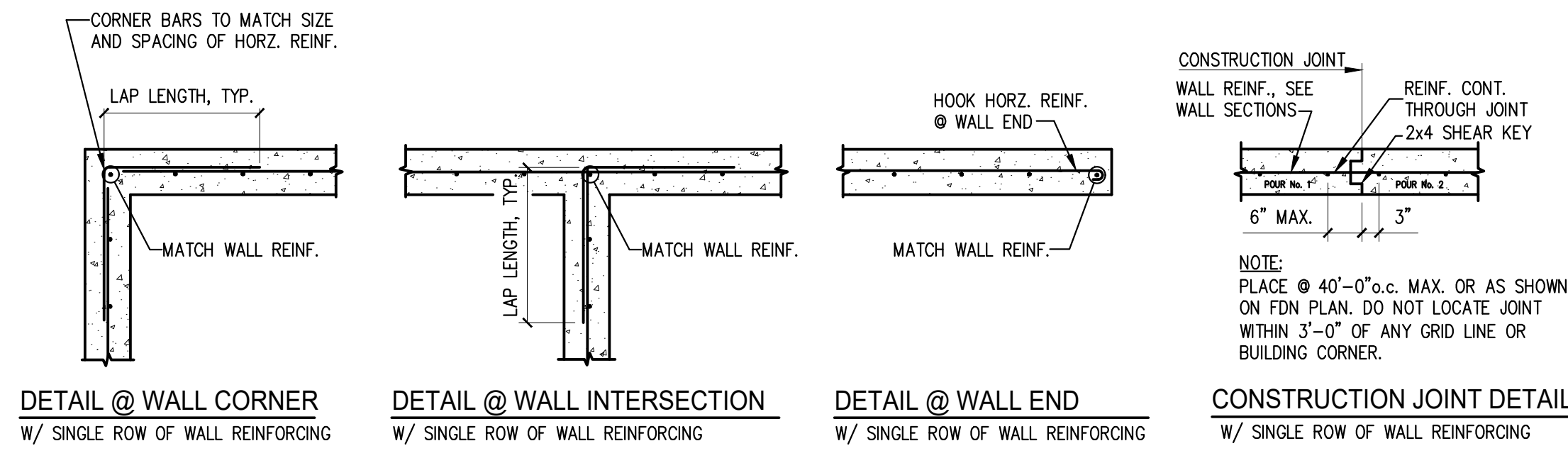
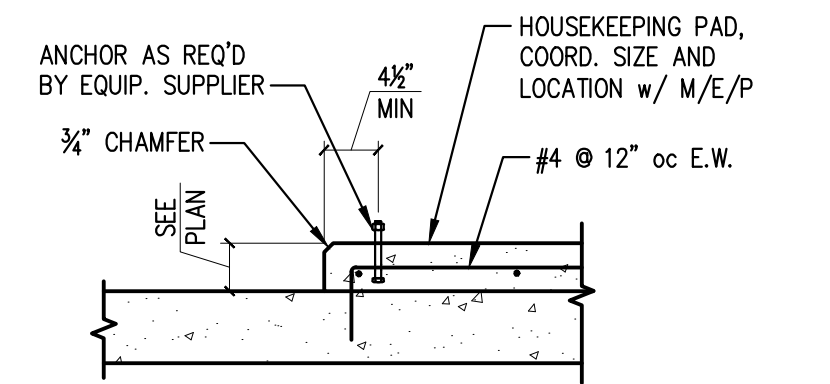


1 SECTION

3/4" = 1'-0"

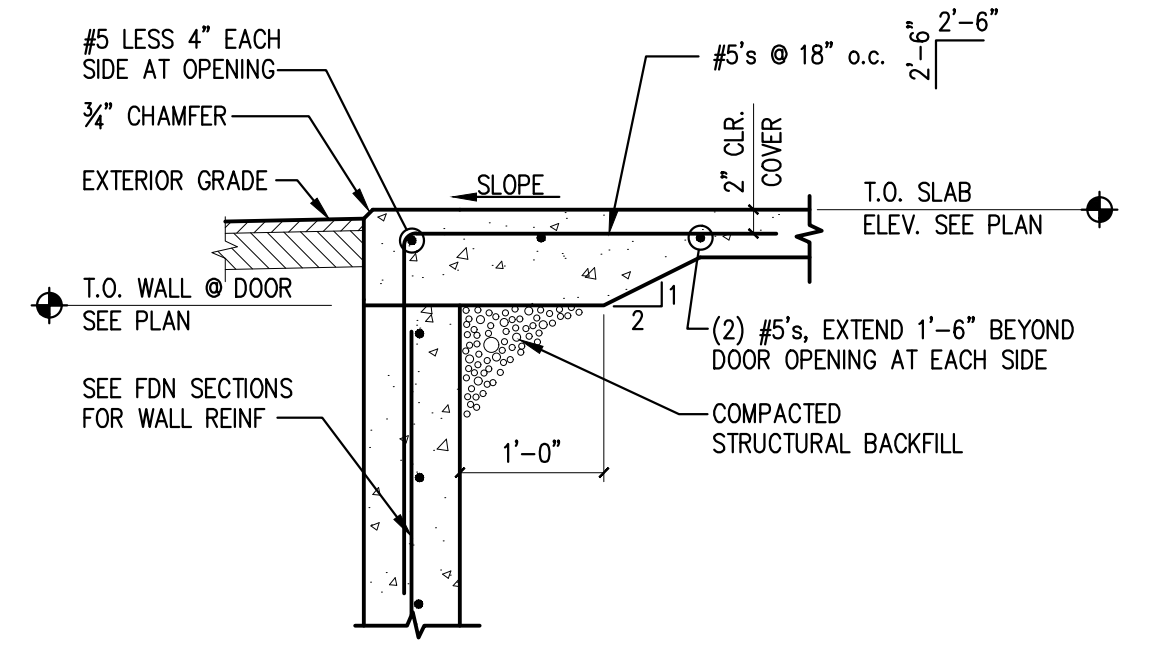
TYPICAL HOUSEKEEPING PAD DETAIL

SCALE: NTS



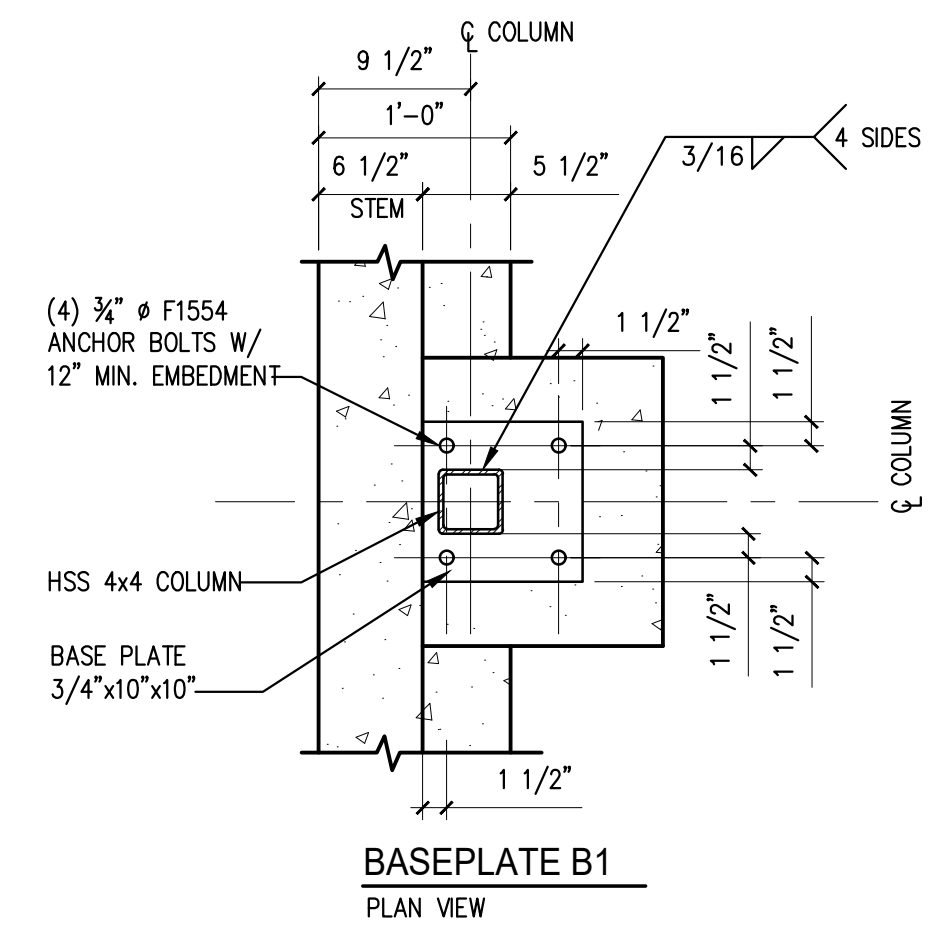
TYP. FOUNDATION WALL DETAILS

SCALE: NTS



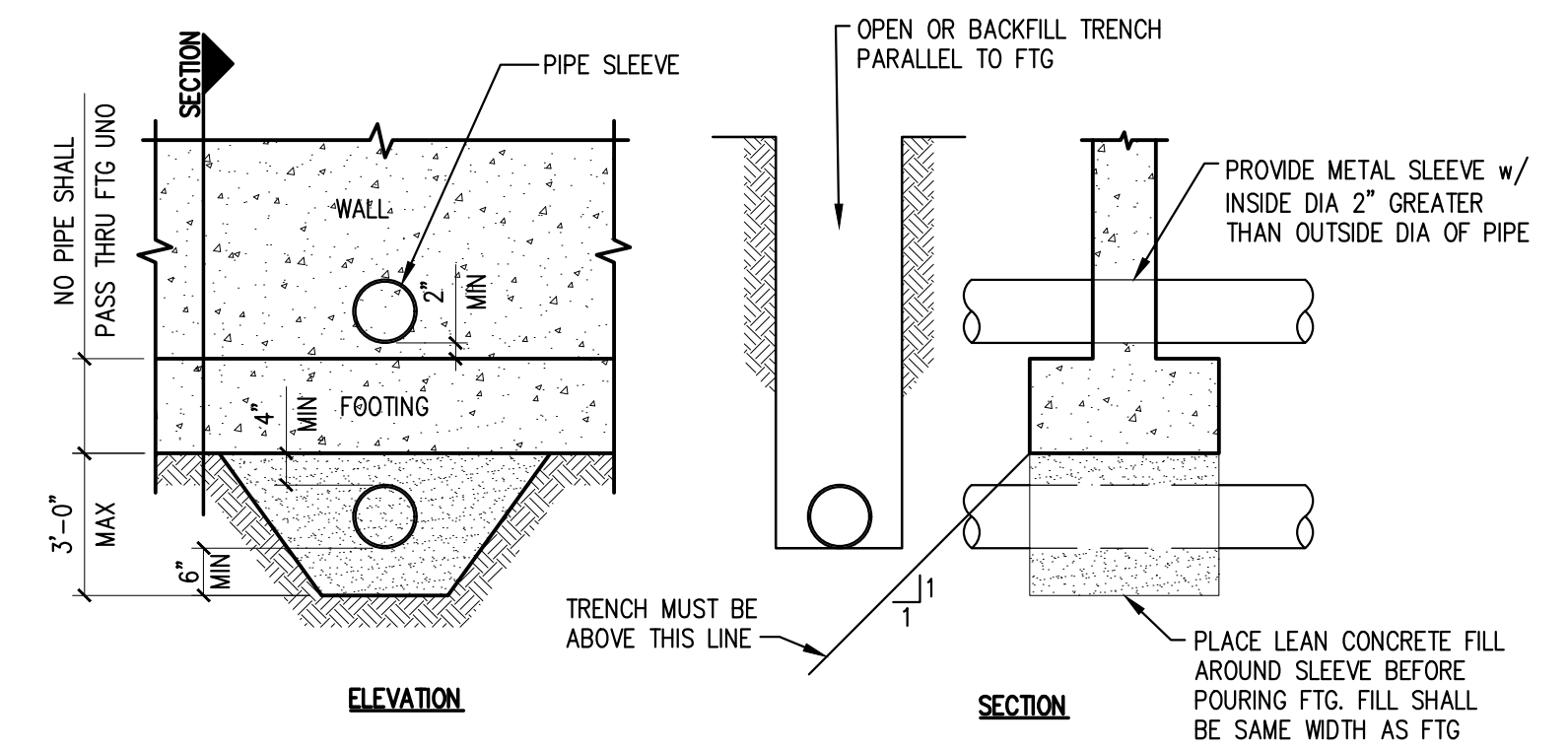
TYPICAL SLAB DETAIL AT DOOR

SCALE: NTS



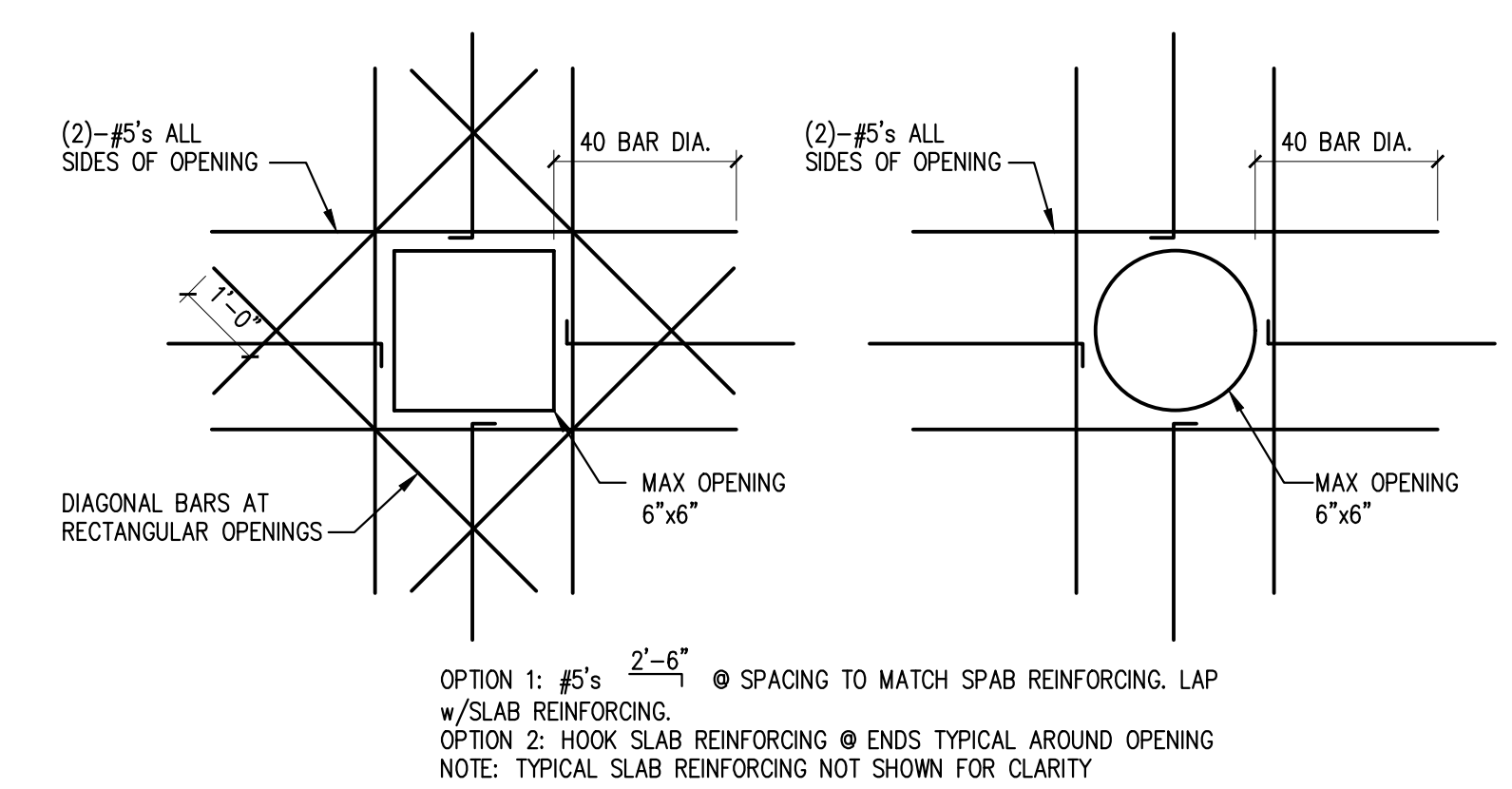
2 SECTION

1" = 1'-0"



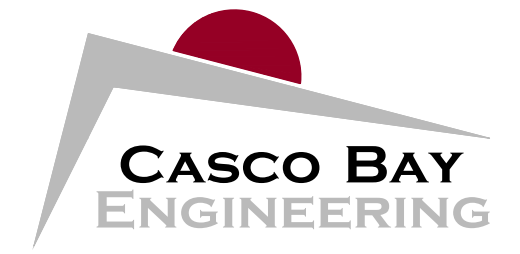
TYP. THROUGH WALL WALL PENETRATION DETAIL

SCALE: NTS



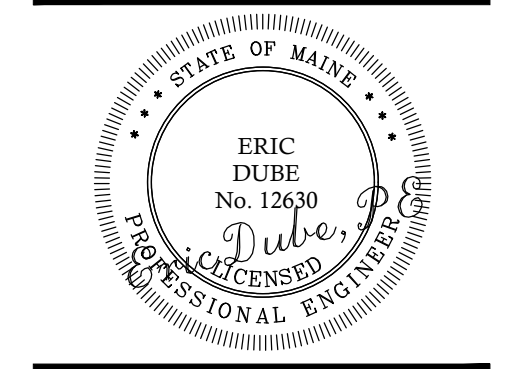
TYPICAL OPENING IN WALL OR SLAB DETAIL

SCALE: NTS



424 Fore Street
 Portland, ME 04101
 Phone 207.842.2800
 Fax 207.842.2828
 www.cascobayengineering.com

CLIENT:
Kevin Moquin
 Architect
 PORTLAND, ME
 207.615.6421



23 OCEAN
 23 OCEAN AVE
 PORTLAND, ME
 PROPOSED BUILDING

No.	DESCRIPTION	DR.	CHK.	DATE
A	ISSUED FOR REVIEW	CD	ED	12-14-16
B	ISSUED FOR PERMIT	CD	ED	

SHEET TITLE:
TYPICAL CONCRETE DETAILS AND SECTIONS
 DESIGNED: ED
 DRAWN: CD
 DATE: 9-14-16
 PROJECT NUMBER: 16-063

S2.0