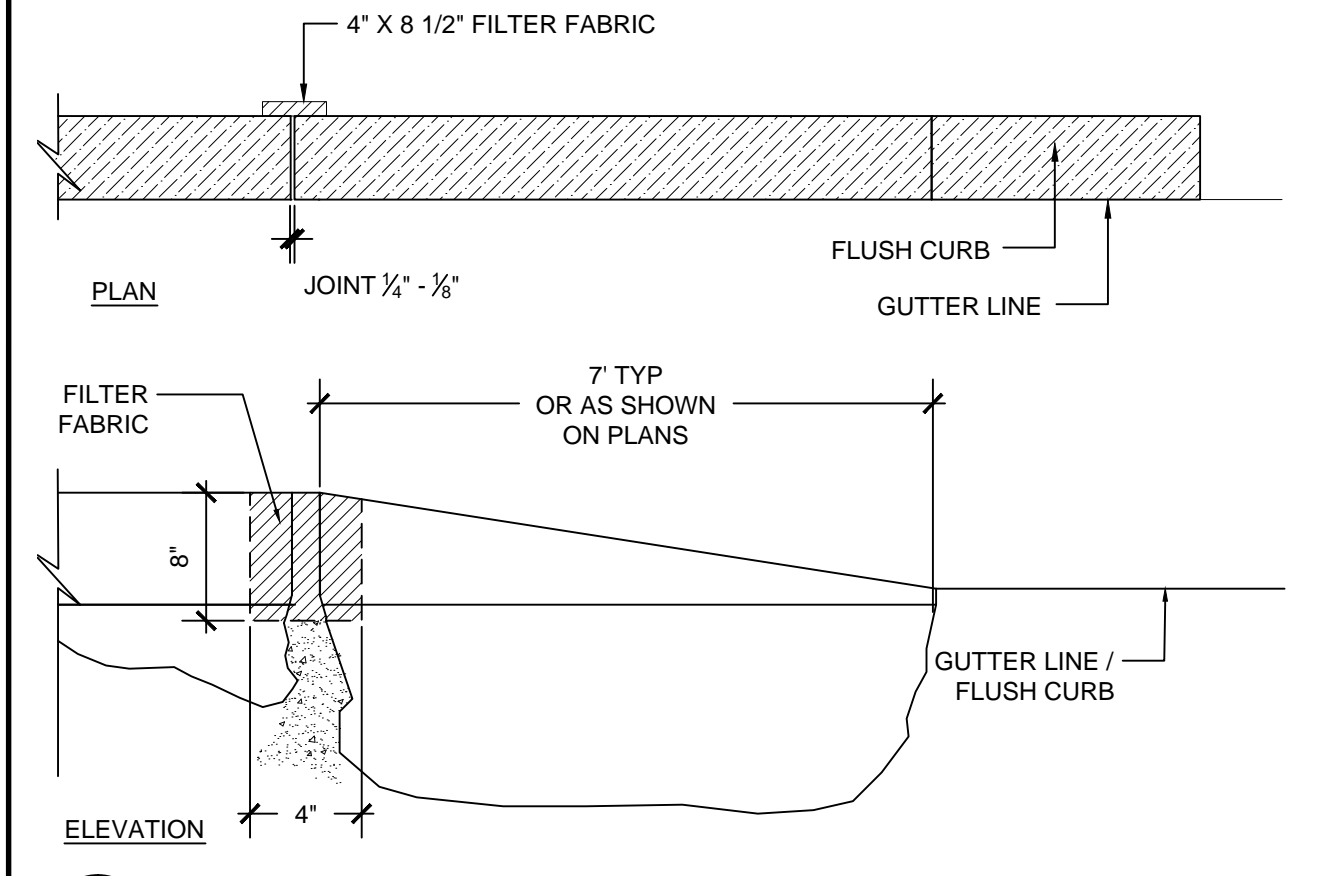
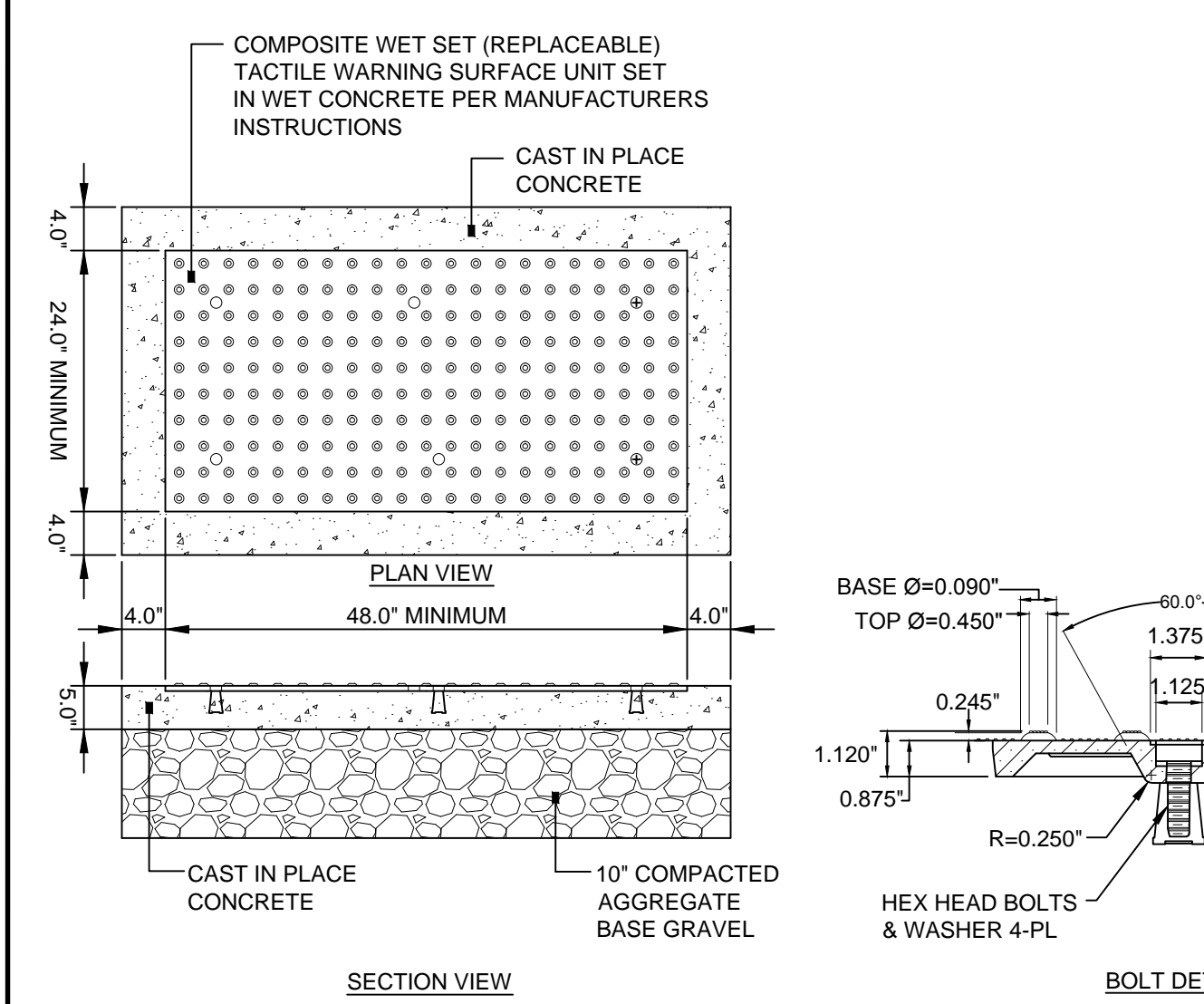


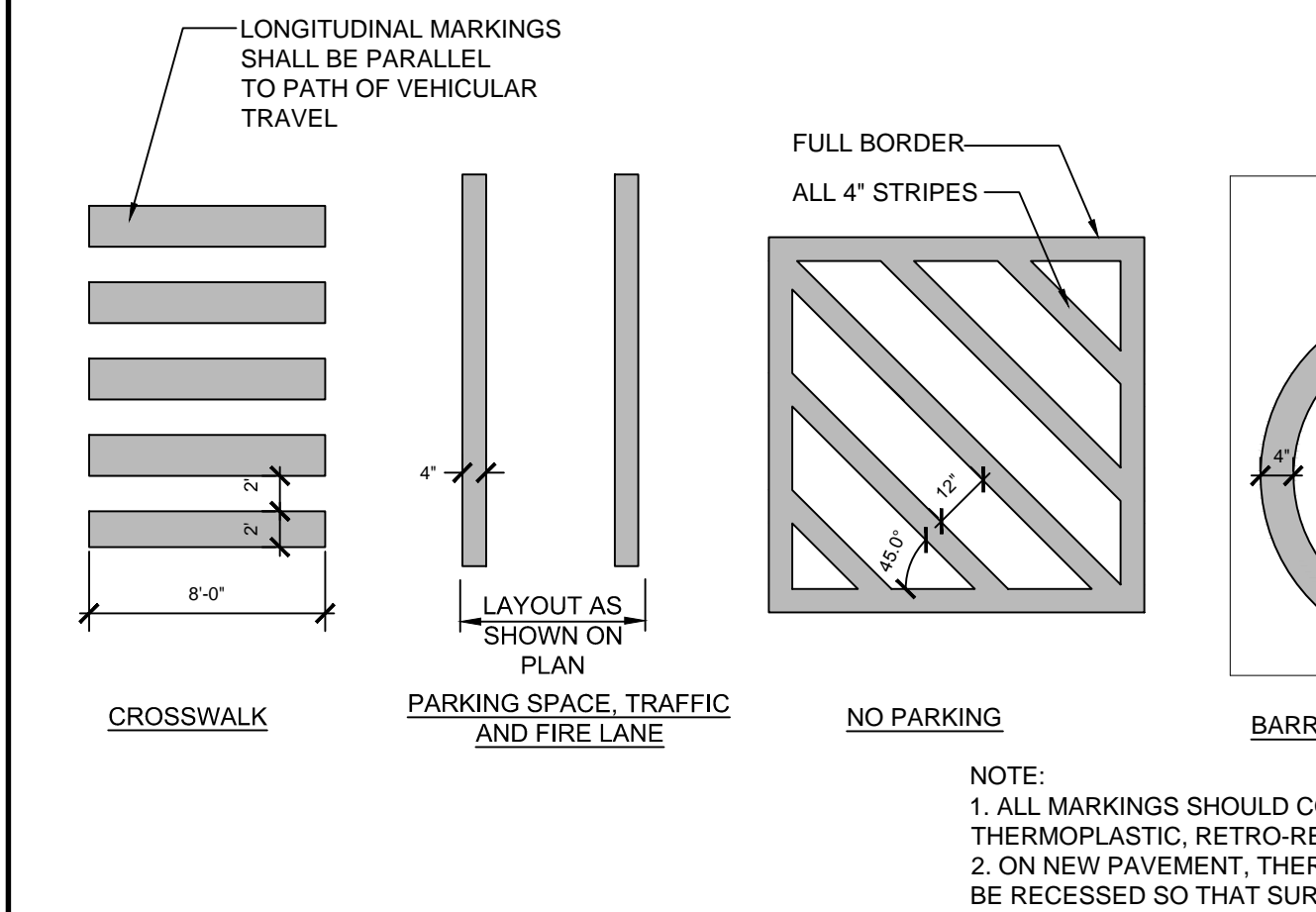
1 PAVEMENT CUTTING/MATCHING
NOT TO SCALE



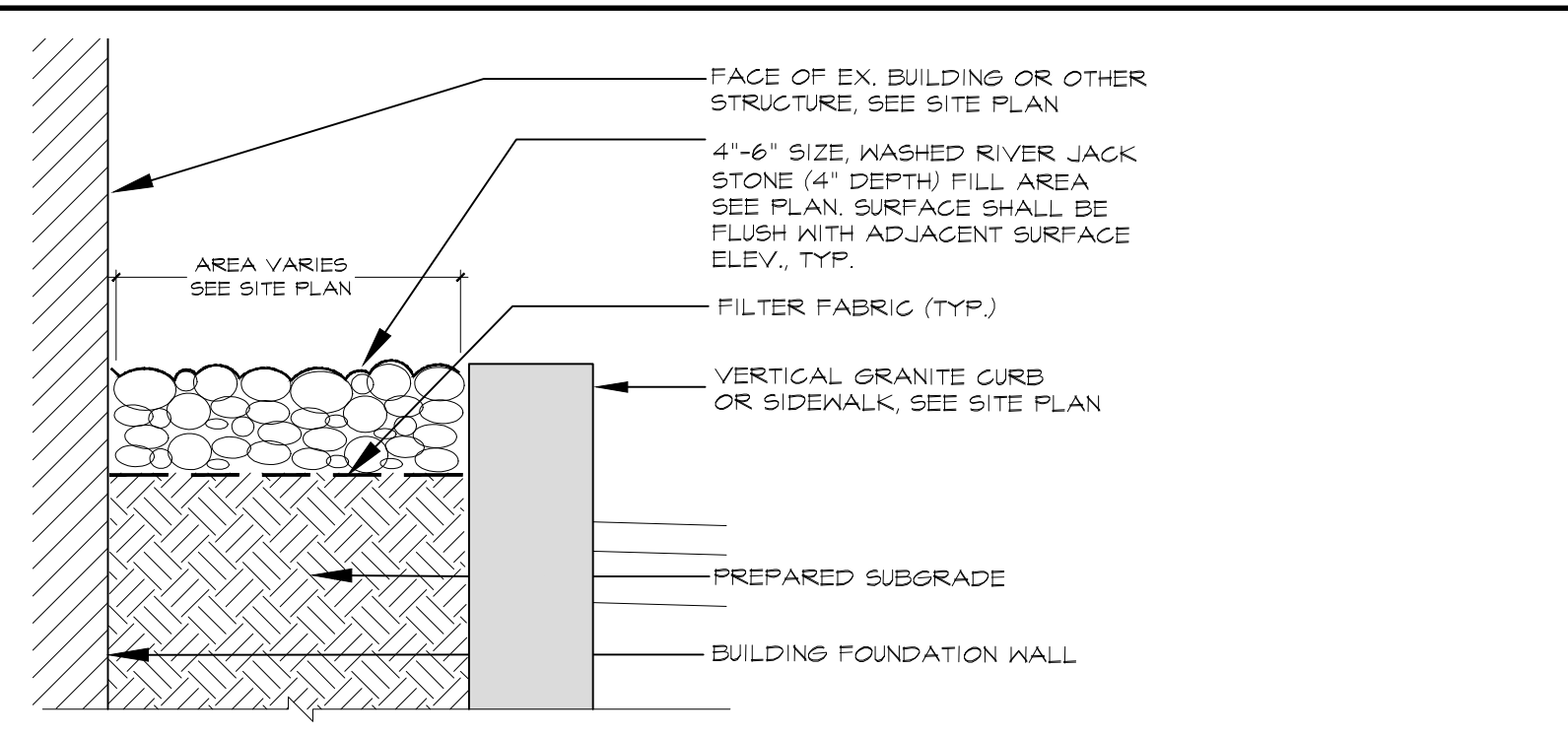
2 TIP DOWN CURB
NOT TO SCALE



3 SIDEWALK RAMP DETECTABLE WARNING TILE AND APEX RAMP
NOT TO SCALE



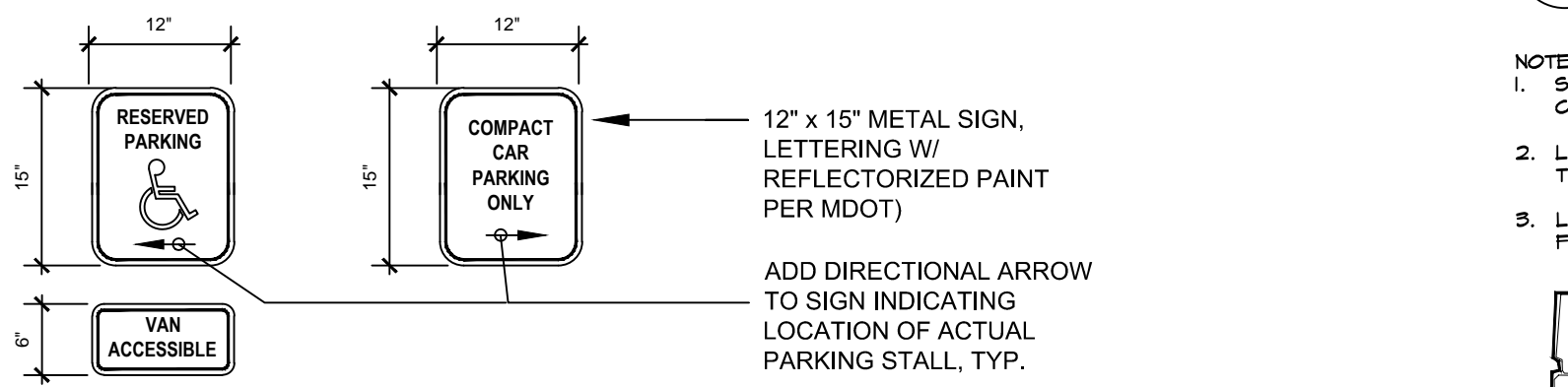
4 PAINT STRIPING
NOT TO SCALE



5 RIVER ROCK SURFACE
NOT TO SCALE

NOTES:

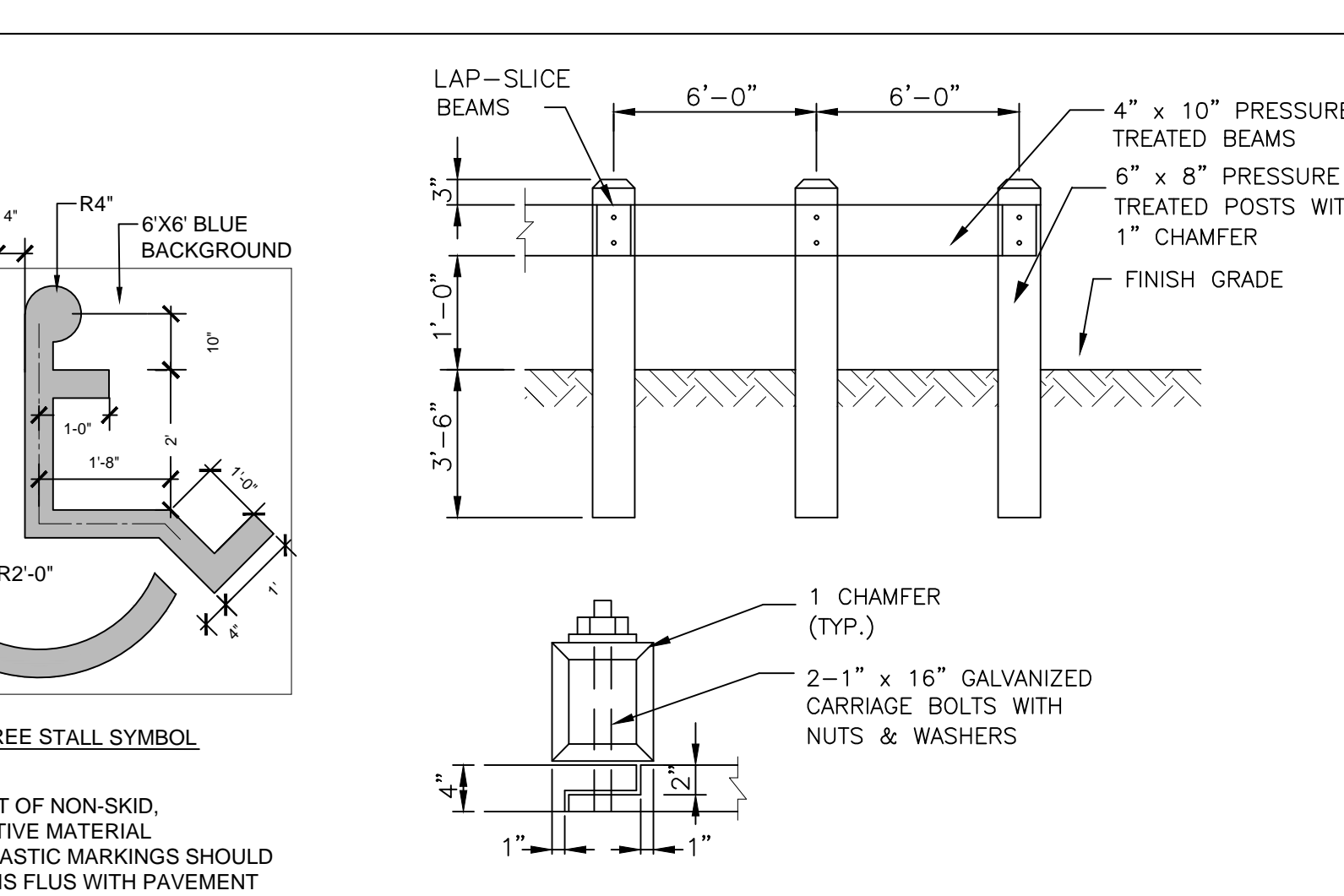
1. SIGNS SHALL BE FABRICATED & INSTALLED IN ACCORDANCE WITH MAINE DEPARTMENT OF TRANSPORTATION STANDARD SPECIFICATIONS, HIGHWAYS AND BRIDGES REVISION OF DECEMBER 2002, SECTION 645.
2. ALL PERMANENT SIGNS ON THIS PROJECT ARE CLASSIFIED UNDER SECTION 645.03(b) TYPE 1 REGULATORY WARNING AND ROUTE MARKER ASSEMBLY SIGNS.
3. ALL SIGNS SHALL BE SURFACE MOUNTED TO BUILDING OR COLUMN AT A HEIGHT OF 7'-0" TO BOTTOM OF SIGN, TYP.



6 SITE SIGNAGE
NOT TO SCALE

NOTES:

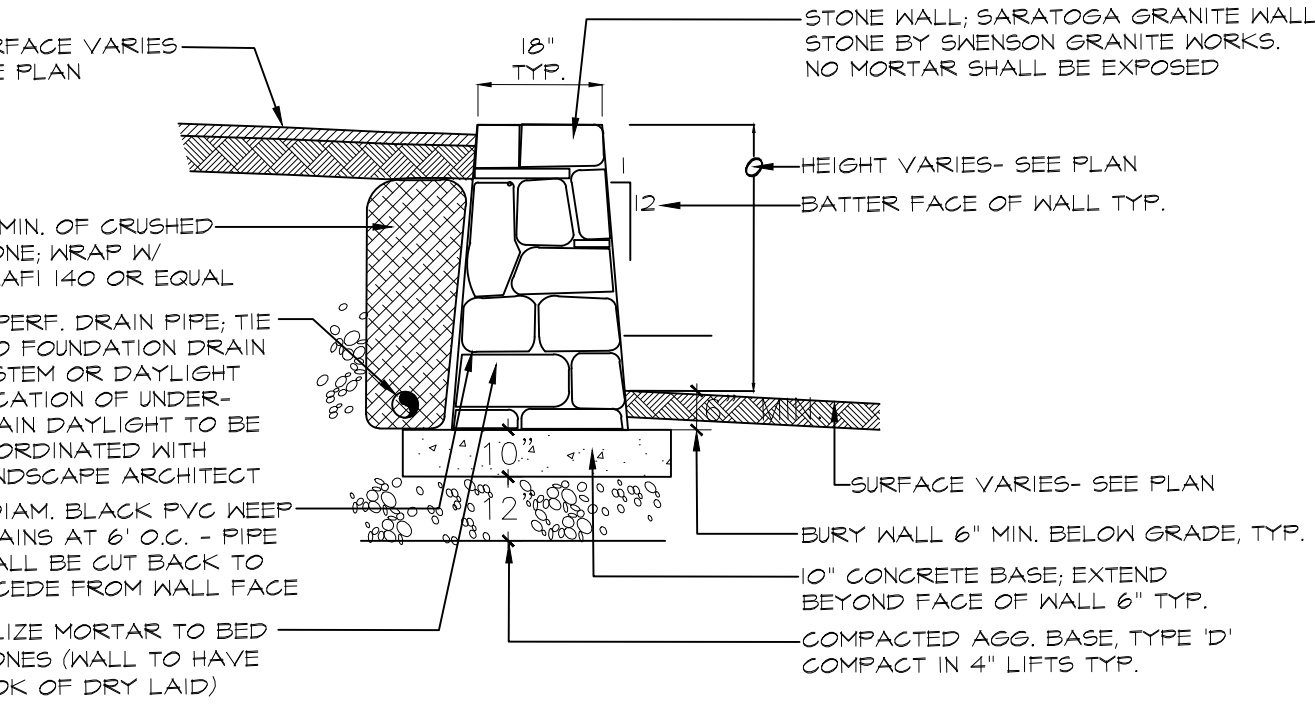
1. COMPOSITE WET SET (REPLACEABLE) TACTILE WARNING SURFACE UNITS SHALL BE AS MANUFACTURED BY ADA SOLUTIONS, INC. (WWW.ADATILE.COM), OR APPROVED EQUAL.
2. CAST IN PLACE CONCRETE SHALL MEET SPECIFICATIONS FOR MDOT CLASS A STRUCTURAL CONCRETE, MINIMUM COMPRESSIVE STRENGTH 4,000 PSI. THE CONCRETE SHALL BE SEALED PRIOR TO SETTING PANELS. THE EXPOSED CONCRETE BORDER SHALL RECEIVE A GROOVED EDGE BETWEEN THE TILE AND CONCRETE, ALONG WITH A UNIFORM BROOM FINISH PERPENDICULAR TO THE FLOW OF PEDESTRIAN TRAFFIC.
3. TRUNCATED DOMES SHALL BE ALIGNED IN ROWS, PARALLEL AND PERPENDICULAR TO THE PREDOMINANT DIRECTION OF TRAVEL. TRUNCATED DOME BRICKS AND GRANITE PAVERS ARE NOT ALLOWED.
4. FOR ALL SIDEWALK RAMPS MADE OF CONCRETE OR ASPHALT, FEDERAL YELLOW COLORED (#33538) TILES SHALL BE USED. FOLLOW MANUFACTURER'S INSTRUCTIONS FOR INSTALLATION.
5. FOR ALL SIDEWALK RAMPS MADE OF BRICK, SEATTLE YELLOW (#23594) COATED COLORED TILES SHALL BE USED.
6. SIZE: THE DETECTABLE WARNING PANEL(S) SHALL EXTEND 24 INCHES MINIMUM IN THE DIRECTION OF TRAVEL AND THE FULL WIDTH OF THE CURB RAMP, LANDING, OR BLENDED TRANSITION TO THE STREET.
7. ORIENTATION: THE DETECTABLE WARNING PANEL SHALL BE LOCATED SO THAT THE EDGE NEAREST THE CURB LINE IS 6 INCHES MINIMUM AND 8 INCHES MAXIMUM FROM THE CURB LINE. THE PANEL SHALL BE ORIENTATED TO THE DIRECTION OF TRAVEL AS IDENTIFIED BY THE POINT OF EGRESS.



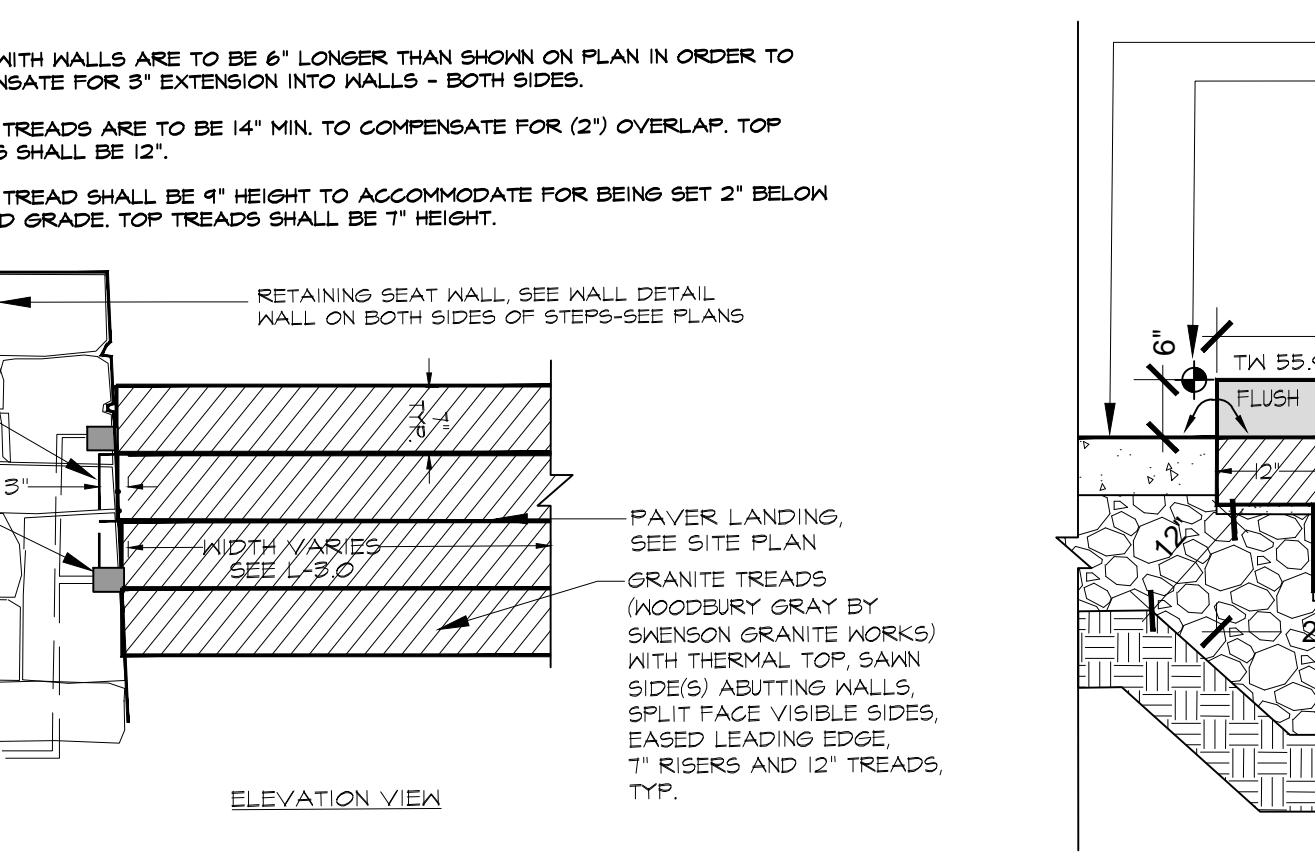
7 STONE WALL ON CONC BASE
NOT TO SCALE

NOTES:

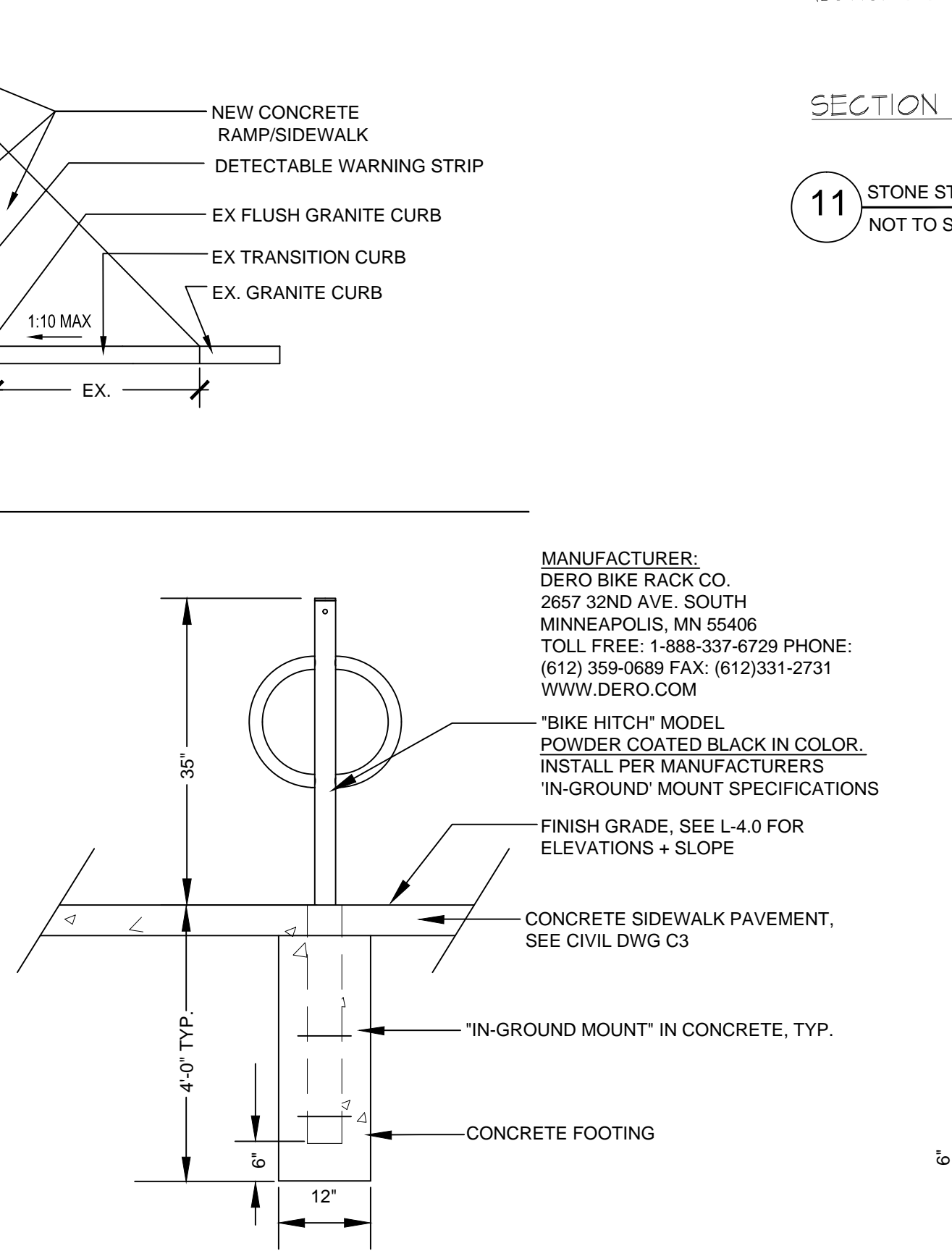
1. MORTAR SHALL BE USED TO BED ALL JOINTS. MORTAR SHALL BE TINTED TO MATCH THE DARKEST STONE COLOR.
2. CLEAN ALL MORTAR FROM EXTERIOR SURFACES-NO MORTAR SHALL BE VISIBLE ON VERTICAL FACES.
3. TOP JOINTS SHALL BE FLUSH. AVOID REGULAR COURSING. FOLLOW GENERAL RULE OF ONE OVER TWO, TWO OVER ONE.
4. CONTRACTOR SHALL MOCK-UP PANEL OF STONE LAY-UP FOR APPROVAL OF L.A. PRIOR TO CONSTRUCTION.



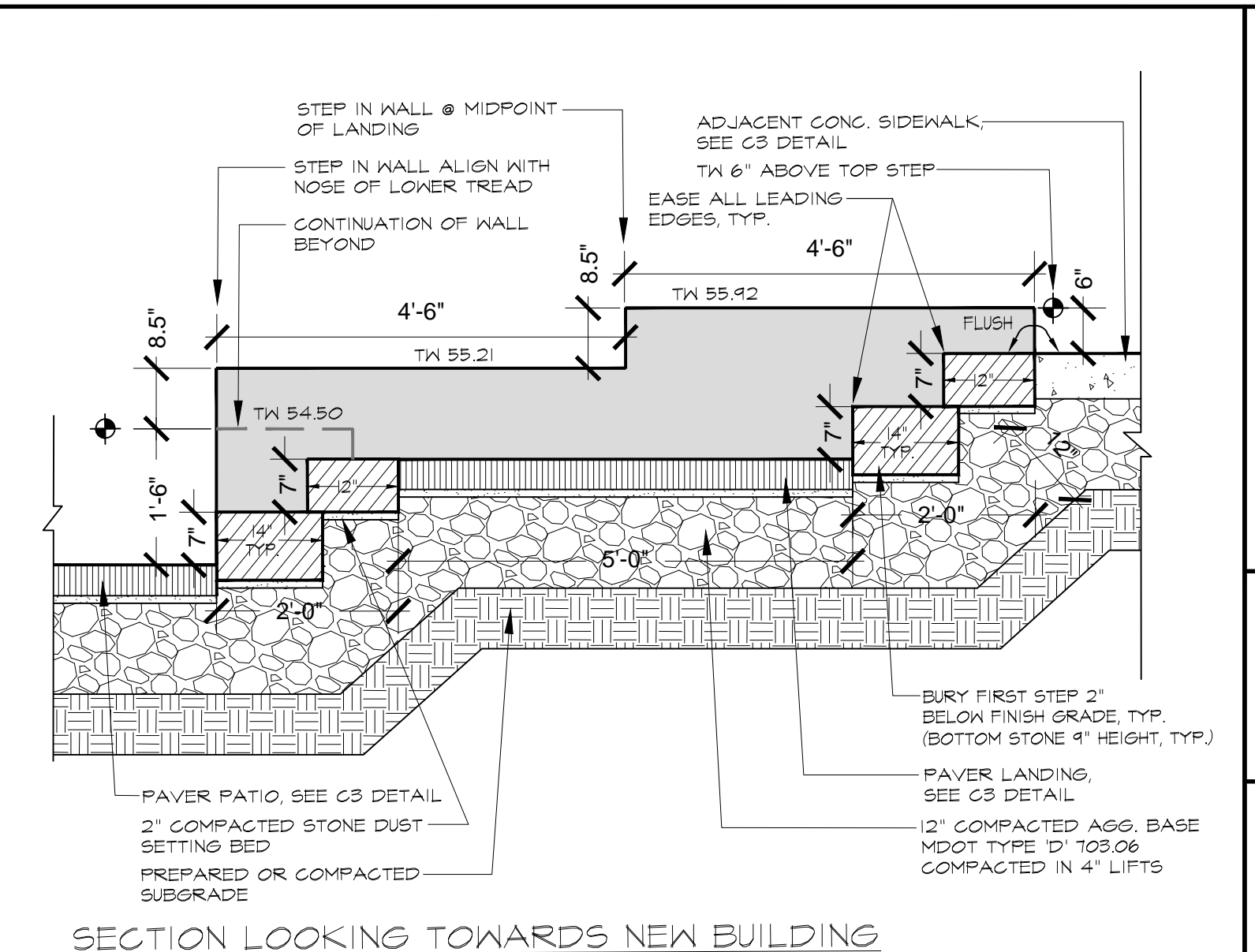
8 STONE STEPS
NOT TO SCALE



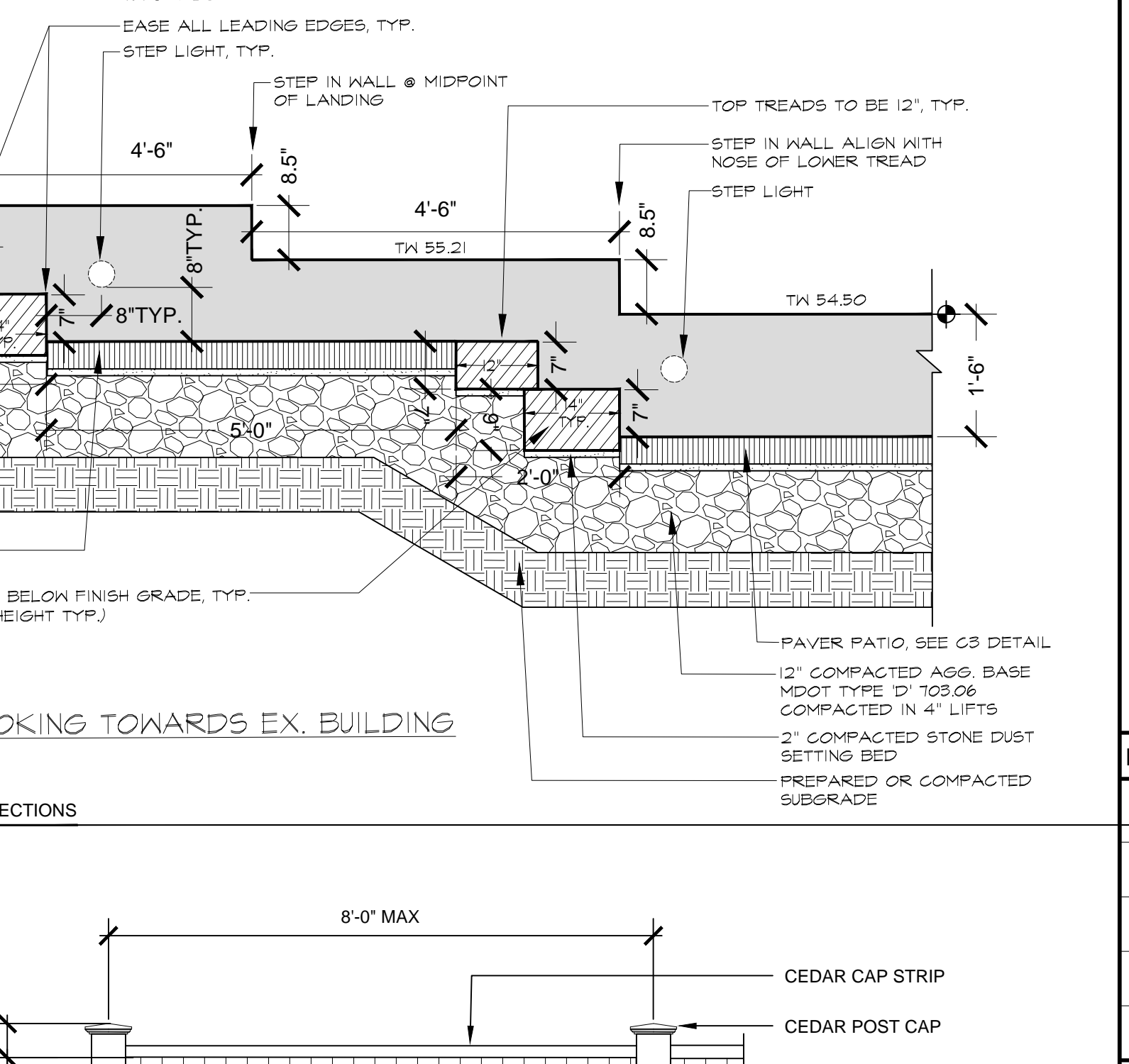
9 WOOD GUARDRAIL
NOT TO SCALE



10 BICYCLE RACK AND CONCRETE PAD
NOT TO SCALE



11 STONE STEP SECTIONS
NOT TO SCALE



12 WOOD FENCE DETAIL
NOT TO SCALE

Project Name:
23 Ocean Ave
Portland, Maine

Owner:
Steven & Roberta Cope
172 Concord Street
Portland, Maine 04103

Consultants:
Architect: Kevin Moquin, Architect
Hammond Street
Portland, Maine 04104
207.615-6421
Landscape Architects: Carroll Associates
217 Commercial St.
Portland, ME 04101
207.772.1552
Civil Engineer: Ransom Consulting
400 Commercial St.
Portland, ME 04101
207.772.2891

Drawing Set:

No.	Date	Revision
1	12-14-16	FOR PERMIT

Drawing Set:
PERMITTING

Drawn: PAB
Checked: MAP
Approved: PC

Drawing Title:
DETAILS

Job Number:
File:
Date: 09-02-2016 **Scale:** AS SHOWN
Drawing Number:
L-6.0
© 2016 CARROLL ASSOCIATES