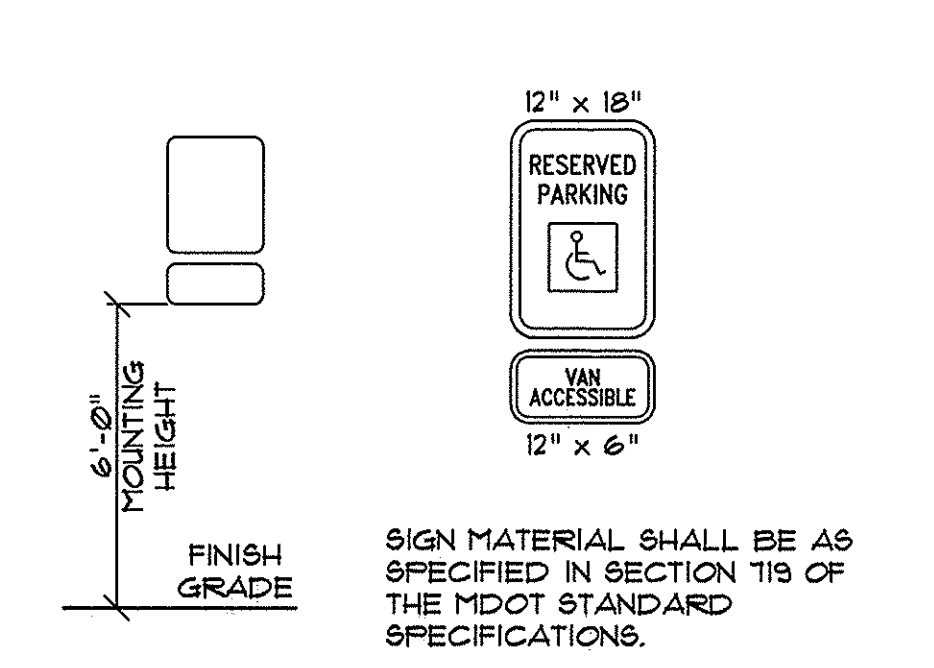
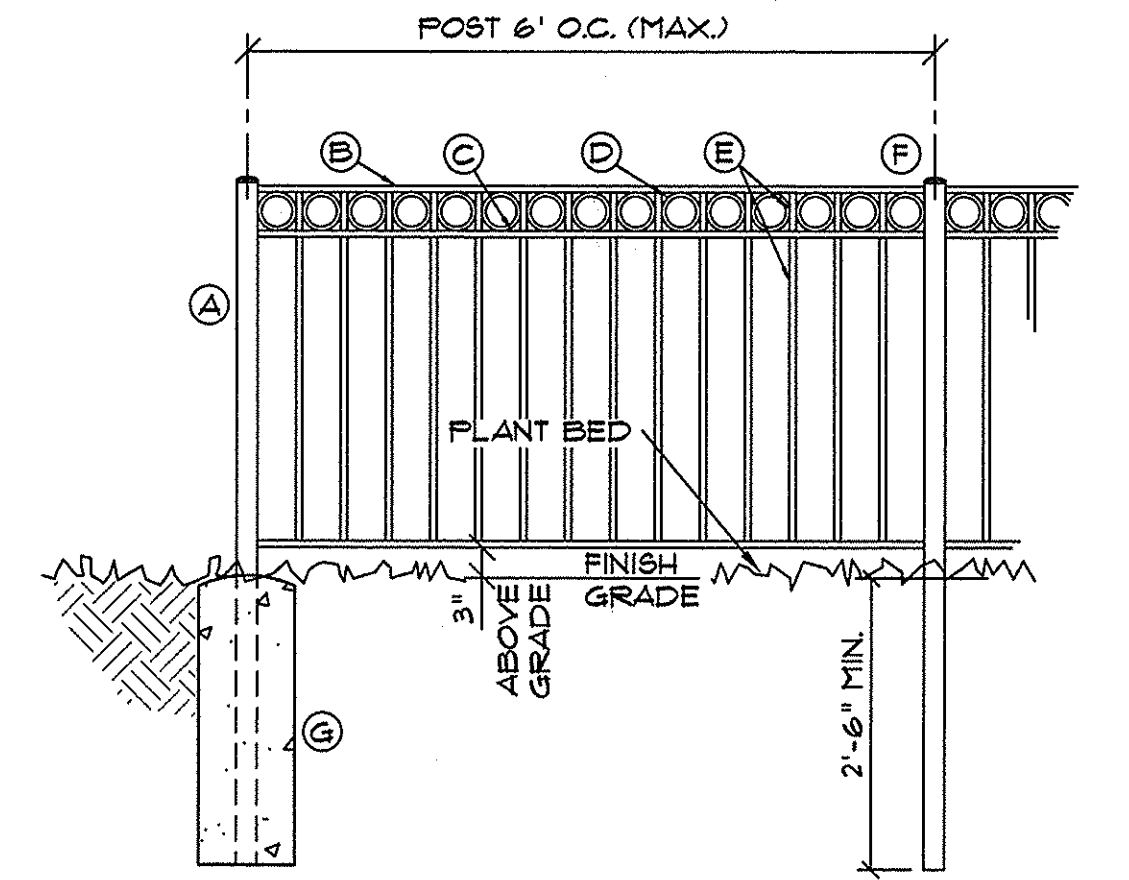


2 STRIPING DETAILS

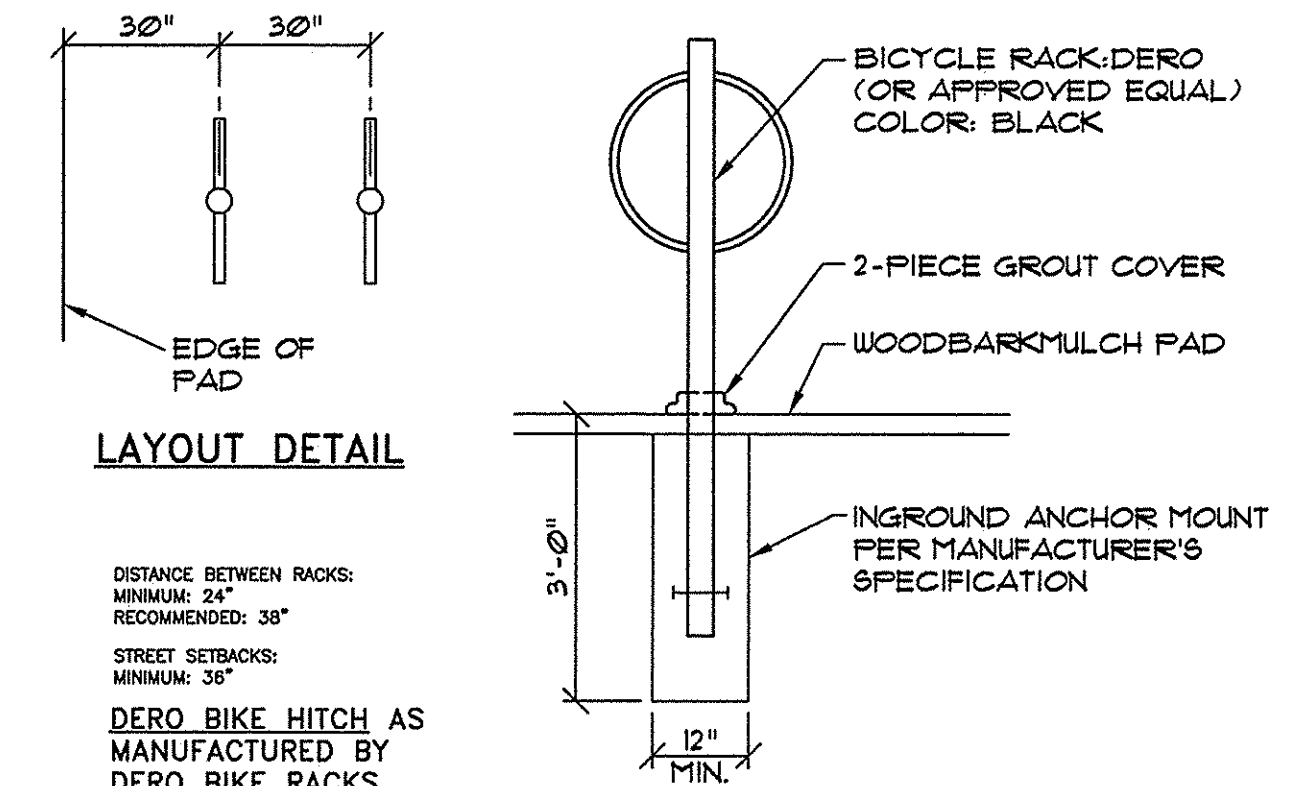


1 ACCESSIBLE PARKING SPACE SIGN DETAILS



- ALUMINUM ORNAMENTAL FENCE SIMILAR TO "WINDSOR PLUS STYLE" COLOR BLACK, 4' TALL.
- (A) POSTS: 2"x2" STEEL OR ALUMINUM.
  - (B) TOP & BOTTOM RAILS: 1"x1" STEEL OR ALUMINUM, DESIGN TO BE FLAT AND FLAT.
  - (C) SECOND RAIL: 1/2"x1/2" STEEL OR ALUMINUM.
  - (D) DECORATIVE DETAIL: 1/2" STEEL OR ALUMINUM.
  - (E) PICKETS: 1/2"x1/2", 4" O.C. MAXIMUM.
  - (F) FINIAL: DOMED OR PYRAMID FLAIN DESIGN.
  - (G) POST FOUNDATION: 12"Ø CONCRETE BASE AT END POSTS ONLY. CONCRETE FILL: 3000 PSI AIR ENTRAINMENT: 5% ± 1%.

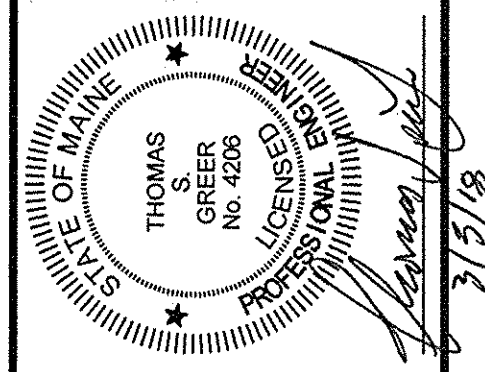
4 DECORATIVE FENCE DETAILS



3 EXTERIOR RACK DETAIL

**PINKHAM & GREER**  
CIVIL ENGINEERS

28 VANNAH AVE. PORTLAND, ME 04103  
TEL: 603.763.5242 FAX: 207.763.1426



REV.	DATE	DESCRIPTION

VANNAH WHITE, INC.  
28 VANNAH AVENUE, PORTLAND, ME

SCALE: AS SHOWN  
DATE: MARCH 5, 2018  
PROJECT: 17166

DRN BY: JDC  
DESIGN BY: TSG  
CHK BY:

THE 28, a condominium  
28 VANNAH AVENUE, PORTLAND, MAINE

SITE DETAILS