



BLAIR COMPANIES
ARCHITECTURAL IMAGING
SIGNS • FIXTURES • LIGHTING

address : 5107 Kissell Avenue
Altoona PA 16601
telephone : 814.949.8287
fax : 814.949.8293
web : blaircompanies.com

project information

client: American Eagle Outfitters
address: 701 Forest Avenue
Portland, ME

Store #:
m number: 43677
date: 02/07/14
rendered: AC
file name: RTA.43677_14
category:

revisions

- a. n/a
- b.
- c.
- d.
- e.

These drawings are not for construction. The information contained herein is intended to express design intent only.

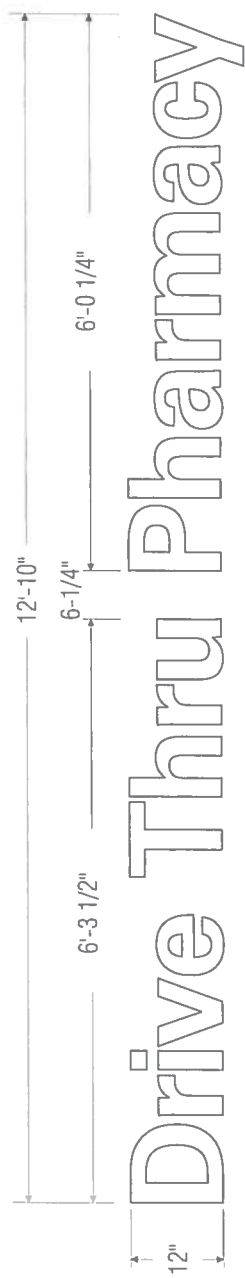
This original design is the sole property of the Blair Companies, it cannot be reproduced, copied or exhibited, in whole or part, without first obtaining written consent from the Blair Companies.



CODE :

SQUARE FOOTAGE:
Drive Thru Pharmacy: 12 0 sf

LIGHTING
120 volt / amps
1 0 AMPS
60 AMP Power Supply (1)

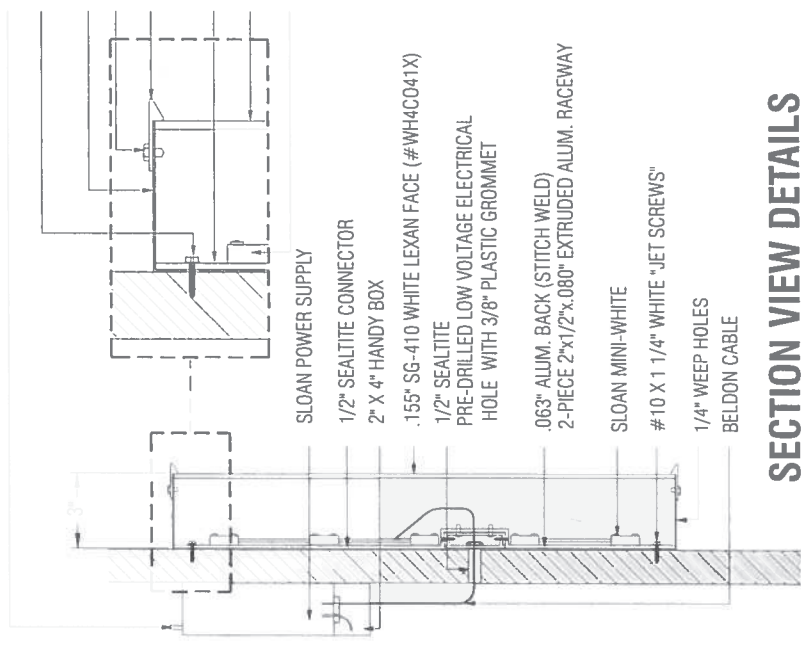


Drive Thru Pharmacy

FINISHED SIGNAGE

SCALE: 1/2" = 1'
2 REQUIRED

- 20 amp CARLING SWITCH
- #10 X 1 1/4" WHITE "JET SCREWS"
- 1/4"x1 1/2" ZINC COATED LAG BOLTS
- .063 ALUM. RETURNS
- #8 X 1/2" HEX HEAD SCREW
- 3/4" JEWELITE TRIM CAP (WRAPPED)
- .063" ALUM. BACK (STITCH WELD)
- 155" SG-410 WHITE LEXAN FACE (#WH4C041X)
- SLOAN MINI-WHITE



- SLOAN POWER SUPPLY
- 1/2" SEALTITE CONNECTOR
- 2" X 4" HANDY BOX
- .155" SG-410 WHITE LEXAN FACE (#WH4C041X)
- 1/2" SEALTITE PRE-DRILLED LOW VOLTAGE ELECTRICAL HOLE WITH 3/8" PLASTIC GROMMET
- .063" ALUM. BACK (STITCH WELD)
- 2-PIECE 2"x1/2"x.080" EXTRUDED ALUM. RACEWAY
- SLOAN MINI-WHITE
- #10 X 1 1/4" WHITE "JET SCREWS"
- 1/4" WEEP HOLES
- BELDON CABLE

COLOR SCHEDULE:

- A. METAL LETTER-EXTERIOR: GRIPGUARD SEMI-GLOSS SIERRA SPRUCE
- B. METAL LETTER-INTERIOR AKZO BRIGHT WHITE REFLECTIVE OR PRE-APPLIED 3M #3635-100 WHITE LIGHT ENHANCEMENT FILM
- C. TRIM CAP WHITE
- D. LEXAN FACE : WHITE SG-410 (#WH4C041X)
- E. RACEWAY : (SEE DETAIL)

SECTION VIEW DETAILS