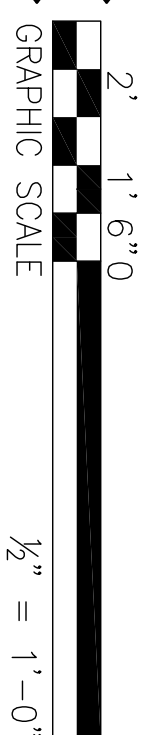
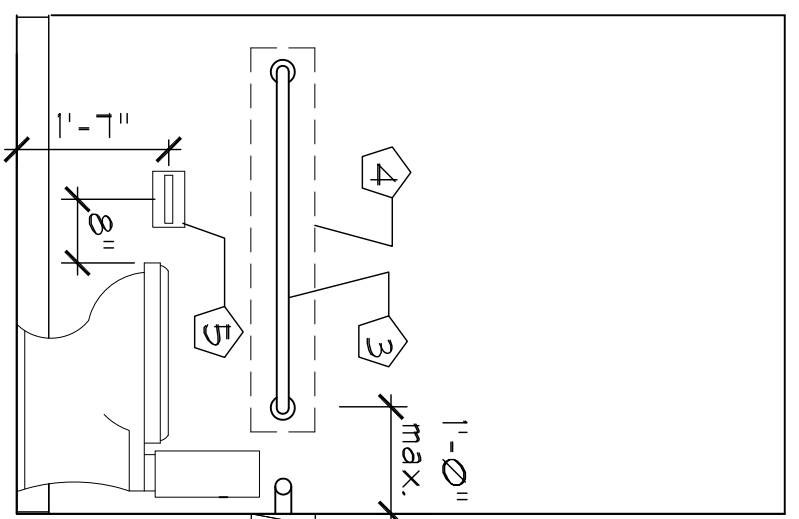


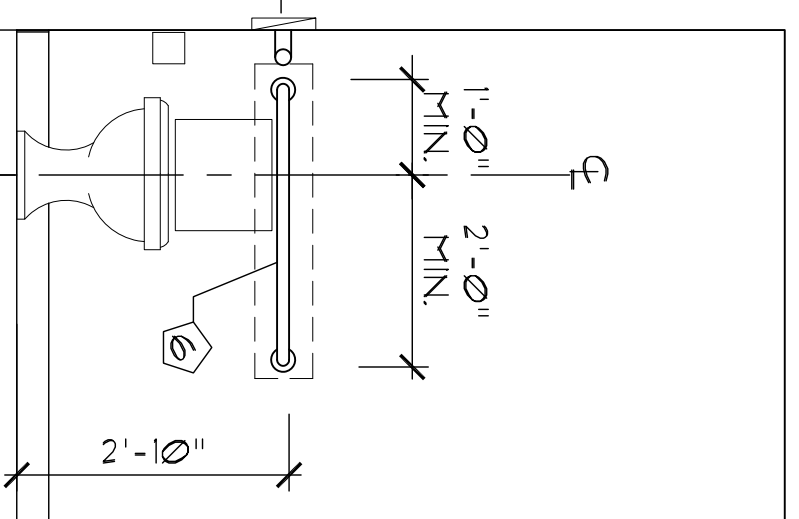
CITY OF PORTLAND



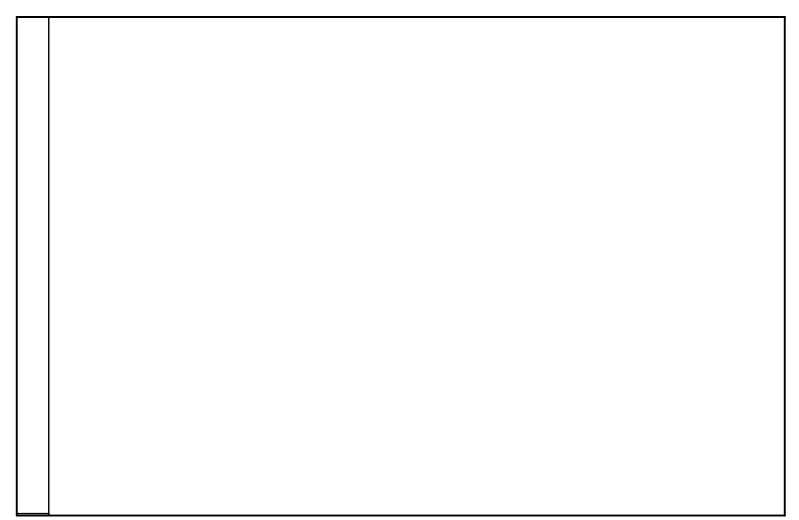
2'-0" SEAT: 15" MIN., 19" MAX.



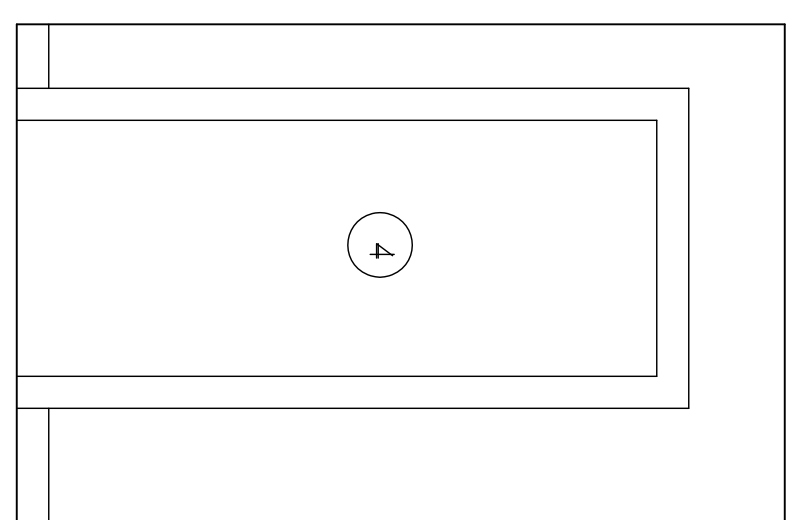
A TLT. 104 - ELEVATION  
SCALE: 1/2" = 1'-0"



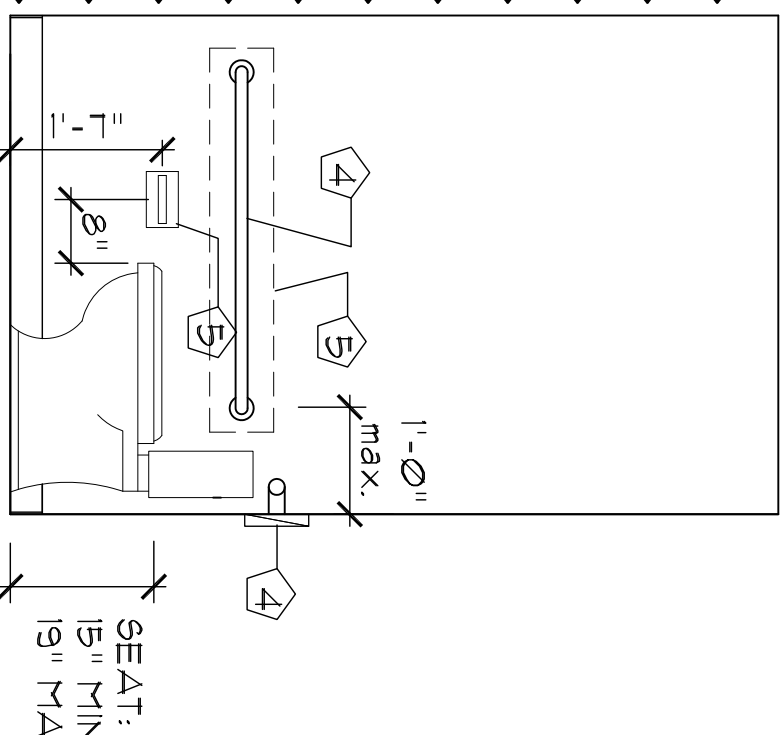
B TLT. 104 - ELEVATION  
SCALE: 1/2" = 1'-0"



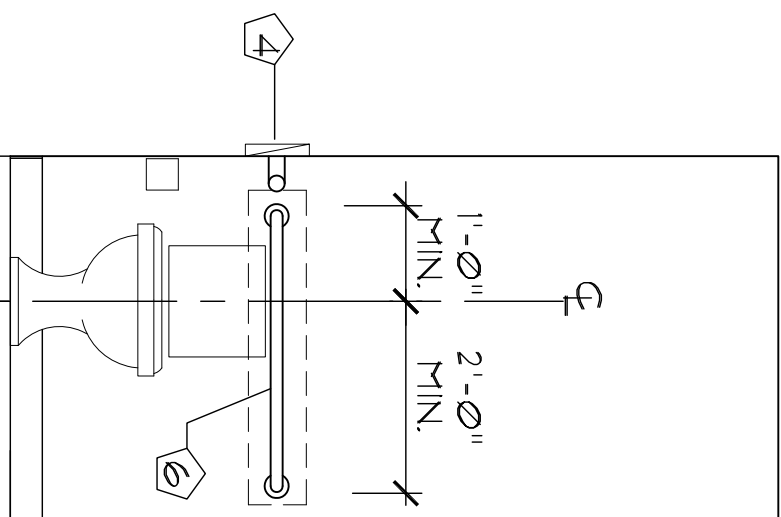
C TLT. 104 - ELEVATION  
SCALE: 1/2" = 1'-0"



C TLT. 104 - ELEVATION  
SCALE: 1/2" = 1'-0"



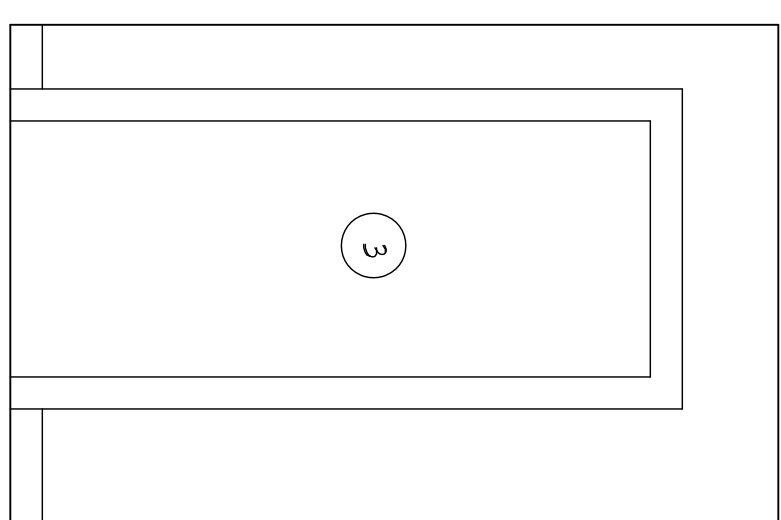
A TLT. 105 - ELEVATION  
SCALE: 1/2" = 1'-0"



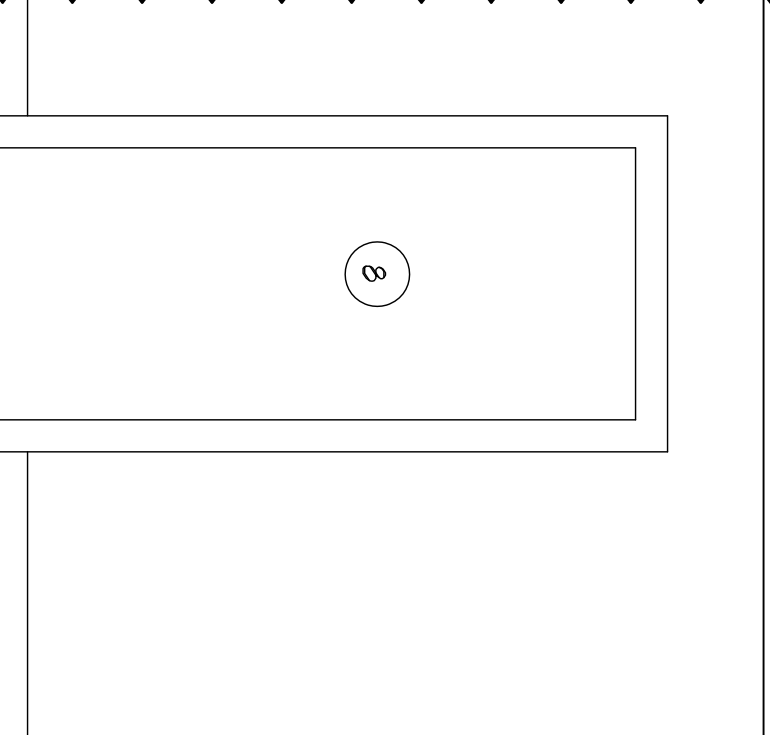
B TLT. 105 - ELEVATION  
SCALE: 1/2" = 1'-0"



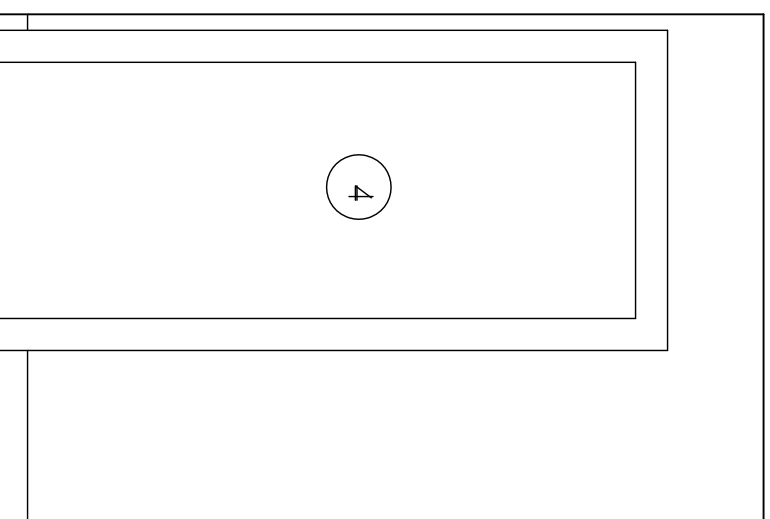
C TLT. 105 - ELEVATION  
SCALE: 1/2" = 1'-0"



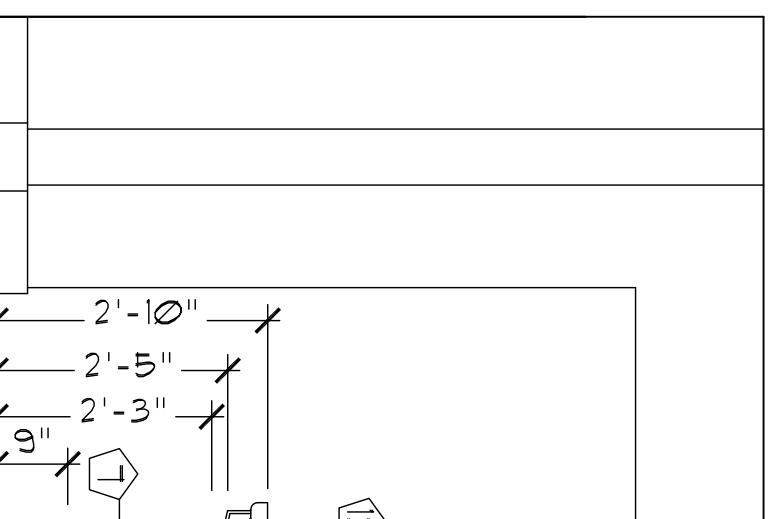
C TLT. 105 - ELEVATION  
SCALE: 1/2" = 1'-0"



A LAV. 109 - ELEVATION  
SCALE: 1/2" = 1'-0"



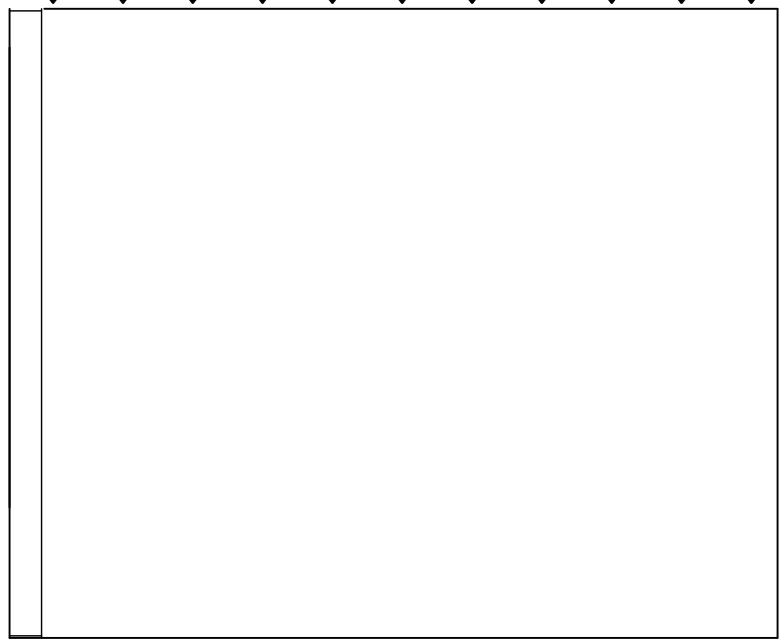
B LAV. 109 - ELEVATION  
SCALE: 1/2" = 1'-0"



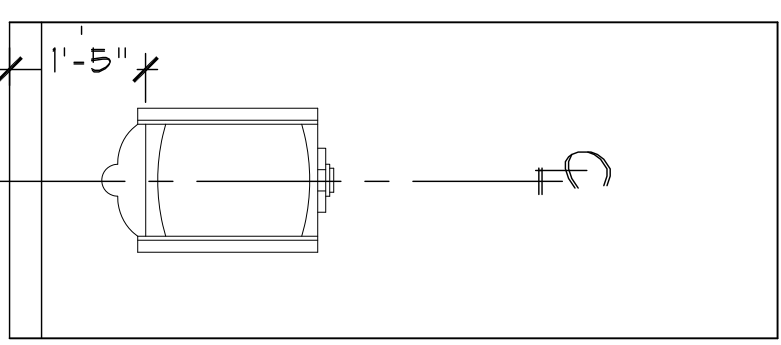
C LAV. 109 - ELEVATION  
SCALE: 1/2" = 1'-0"



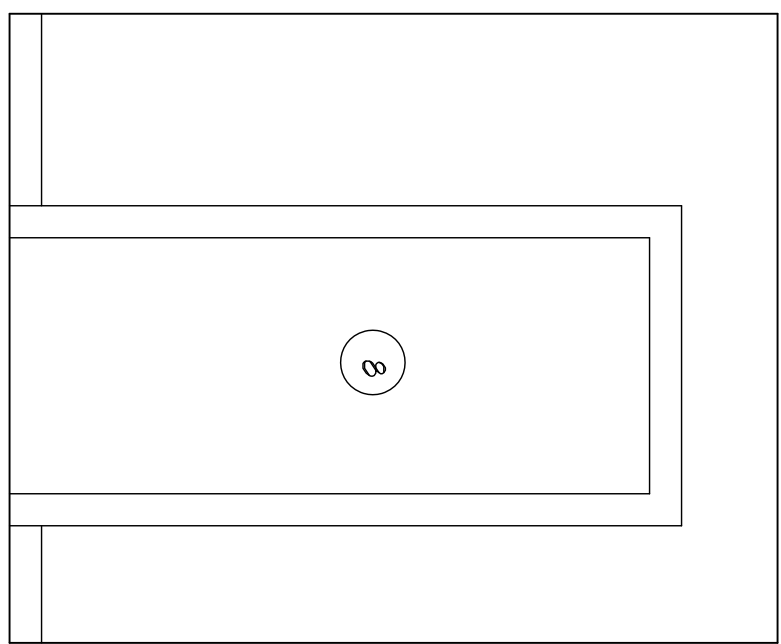
D LAV. 109 - ELEVATION  
SCALE: 1/2" = 1'-0"



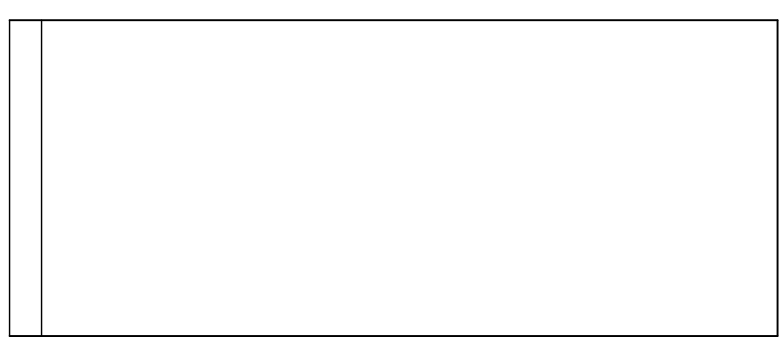
A TLT. 108 - ELEVATION  
SCALE: 1/2" = 1'-0"



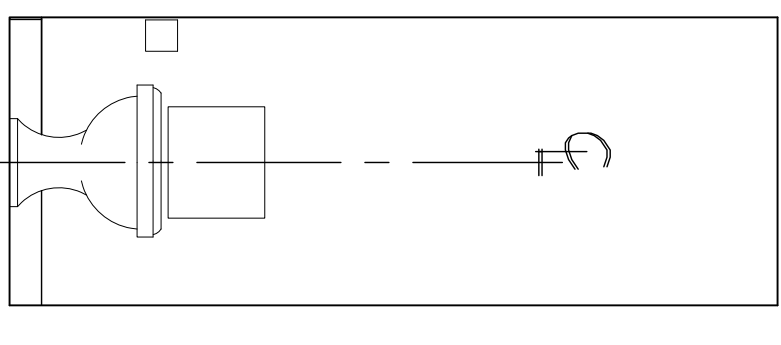
B TLT. 108 - ELEVATION  
SCALE: 1/2" = 1'-0"



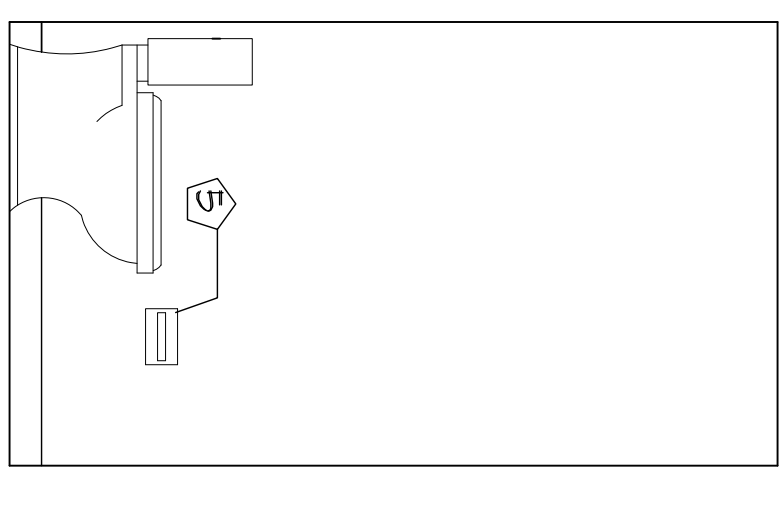
C TLT. 108 - ELEVATION  
SCALE: 1/2" = 1'-0"



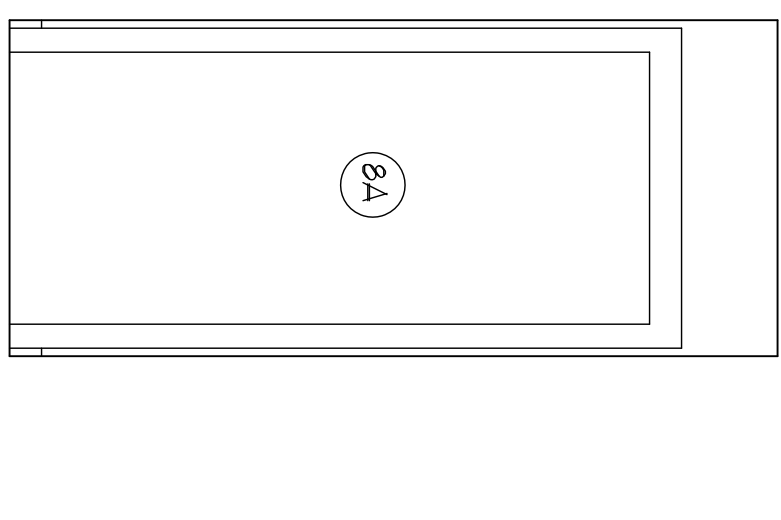
D TLT. 108 - ELEVATION  
SCALE: 1/2" = 1'-0"



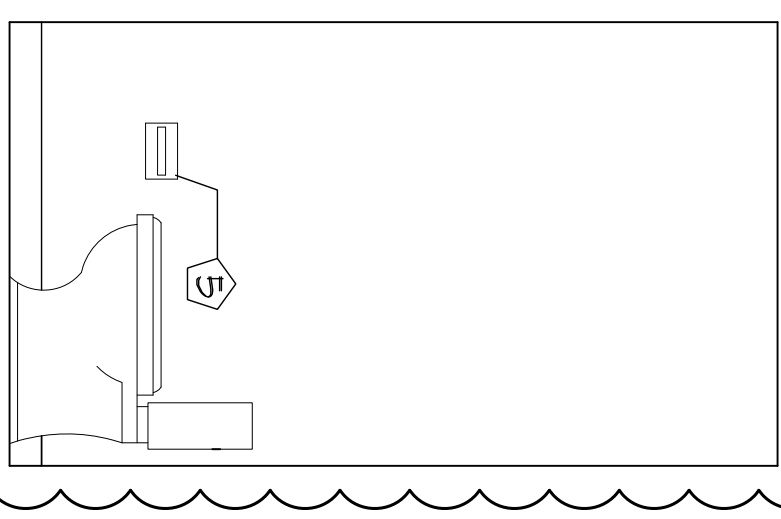
A TLT. 108A - ELEVATION  
SCALE: 1/2" = 1'-0"



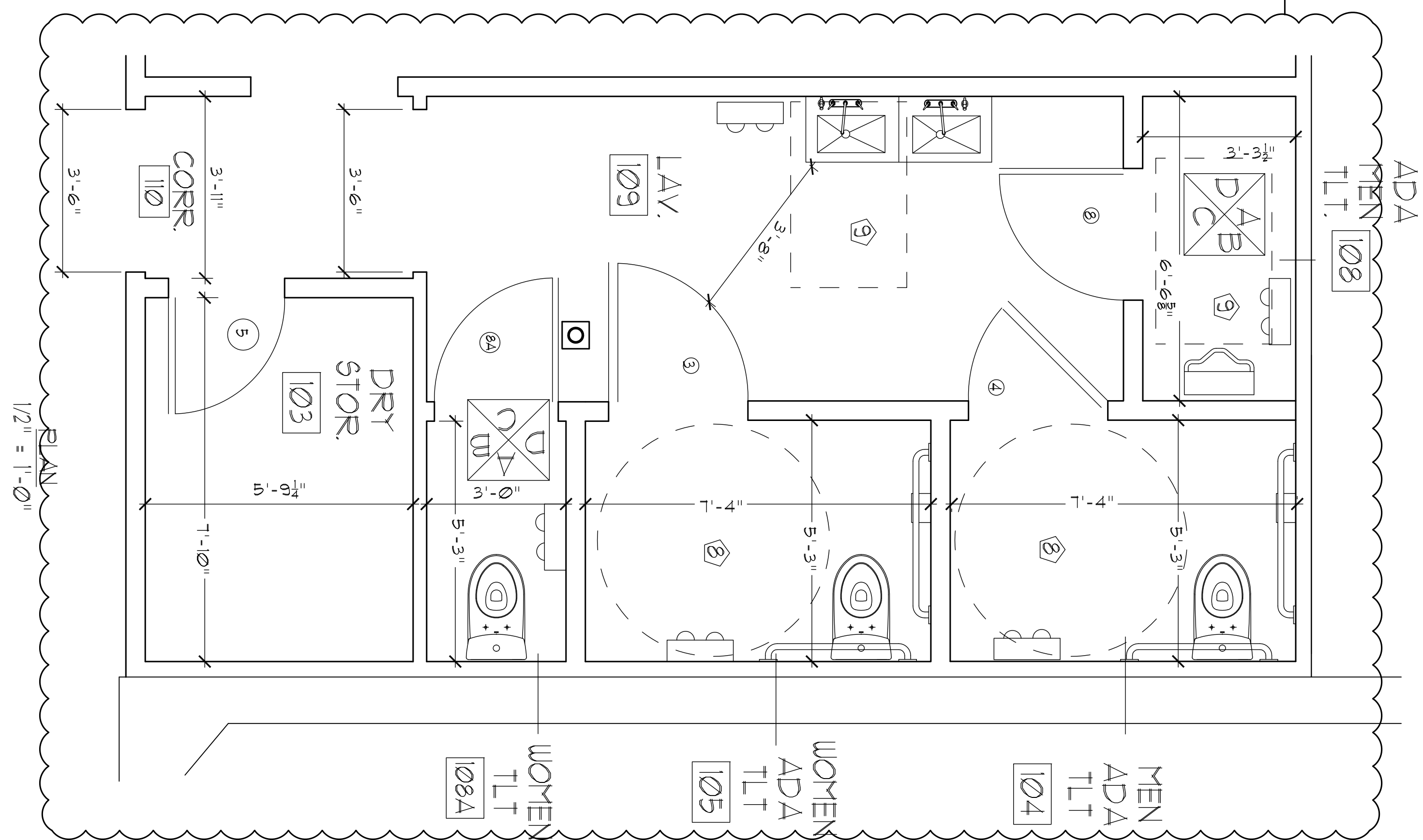
B TLT. 108A - ELEVATION  
SCALE: 1/2" = 1'-0"



C TLT. 108A - ELEVATION  
SCALE: 1/2" = 1'-0"



D TLT. 108A - ELEVATION  
SCALE: 1/2" = 1'-0"



GENERAL NOTE:

1. PROVIDE SOLID WOOD BLOCKING AT ALL WALL MOUNTED ITEMS.
2. PROVIDE ADA COMPLIANT FIXTURES - LAVATORIES, PIPE PROTECTION, GRAB BARS, FAUCETS, TOILETS, MIRRORS, SOAP DISPENSERS, TOILET TISSUE DISPENSERS, ETC.

KEYED NOTES

- |    |  |    |  |
|----|--|----|--|
| 1  | 36" X 24" MIRROR                               | 17 | ADA COMPLIANT FAUCET.  |
| 2  | SOAP DISPENSER - MOUNT CONTROL AT 48" AFF MAX. | 18 | NOT USED.  |
| 3  | 42" LONG GRAB BAR                              | 19 | PAPER TOWEL DISPENSER - MOUNT 90 THAT TOWEL SLOT 19 48" AFF MAX. |
| 4  | SOLID WOOD BLOCKING SHOWN DASHED - TYPICAL.    | 20 |  |
| 5  | TOILET TISSUE DISPENSER                        | 21 |  |
| 6  | 36" LONG GRAB BAR                              | 22 |  |
| 7  | ADA COMPLIANT PIPE PROTECTION.                 | 23 |  |
| 8  | 30" X 48" CLEAR SPACE AT LAVATORY.             | 24 |  |
| 9  | 5'-0" DIAMETER TURNING CIRCLE.                 | 25 |  |
| 10 | 3'-0" X 6'-8" DOOR                             | 26 |  |
| 11 | EMERGENCY LIGHT.                               |    |  |

Drawing  
**TOILET ROOM PLANS & ELEVATIONS**  
Project: **INTERIOR FIT-UP**  
660 FOREST AVENUE  
PORTLAND, MAINE

Date  
6/19/15  
Revisions:  
1 10/9/15 - toilet room layouts & elevations changed.  
2 10/26/15 - Amendment to BP#2015-01508, Kitchen and toilet room layouts changed.

Scale  
1/2" = 1'-0"  
Architect  
**SHIELDS ARCHITECTURE**  
CUMBERLAND, MAINE  
(207) 776-8926

Builder:  
**HARDYPOND CONSTRUCTION**  
7 TEE DRIVE  
PORTLAND, MAINE 04103

